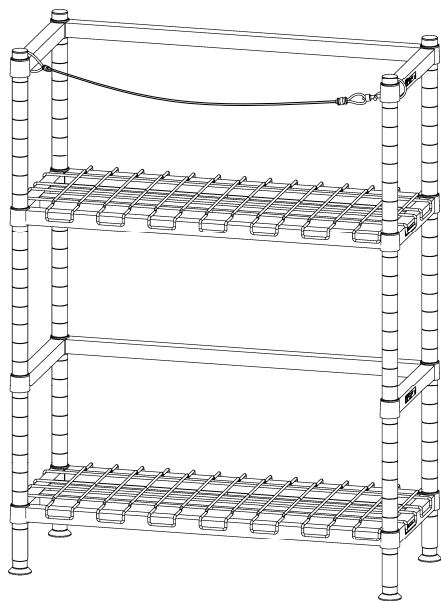


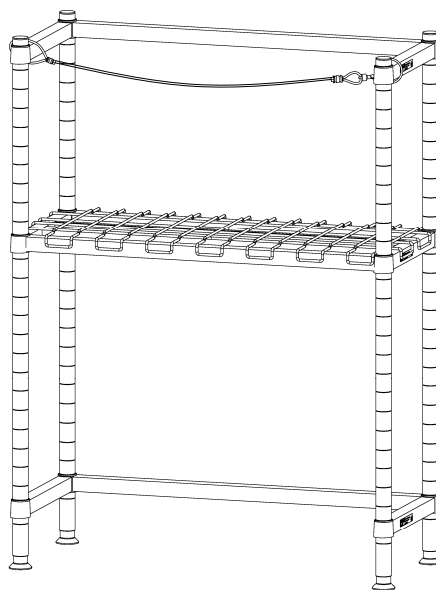
08.03.2010

L01- 008 Rev A

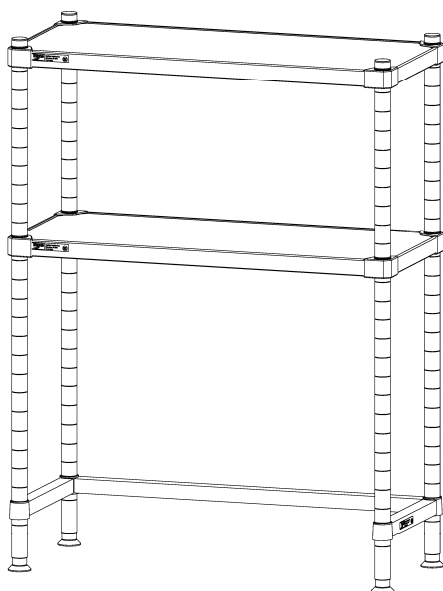
**2KR345DC
2KR365DC**



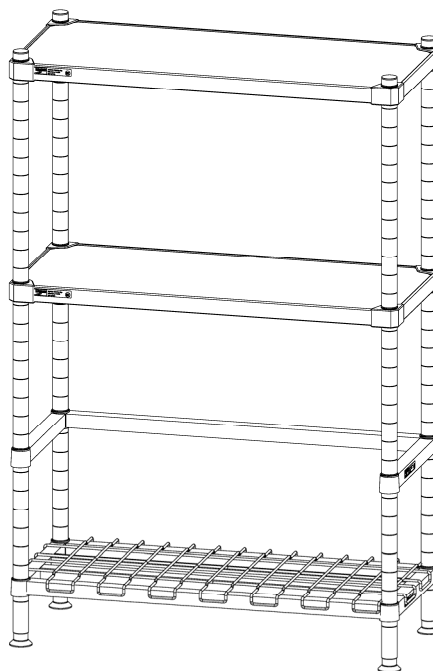
**KR345DC
KR365DC**



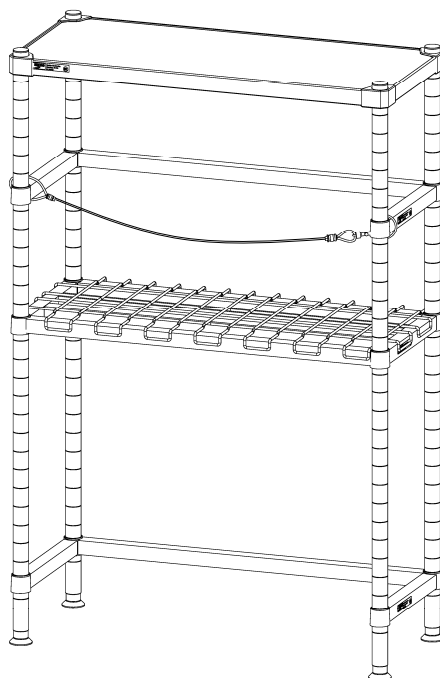
**2KR345FC
2KR365FC**



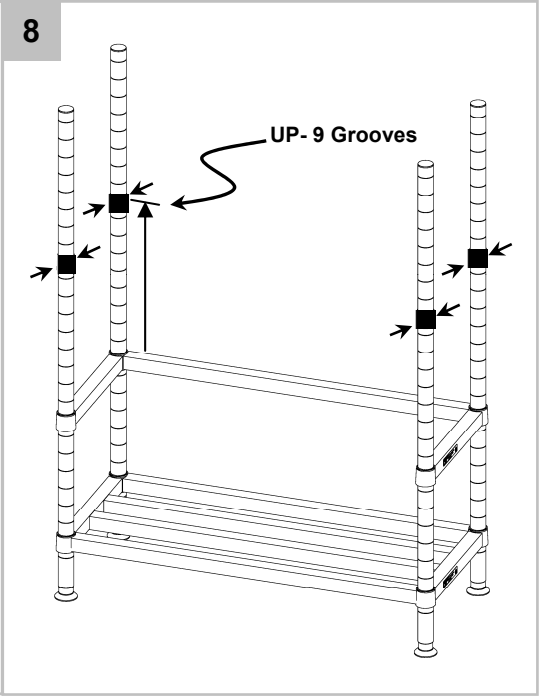
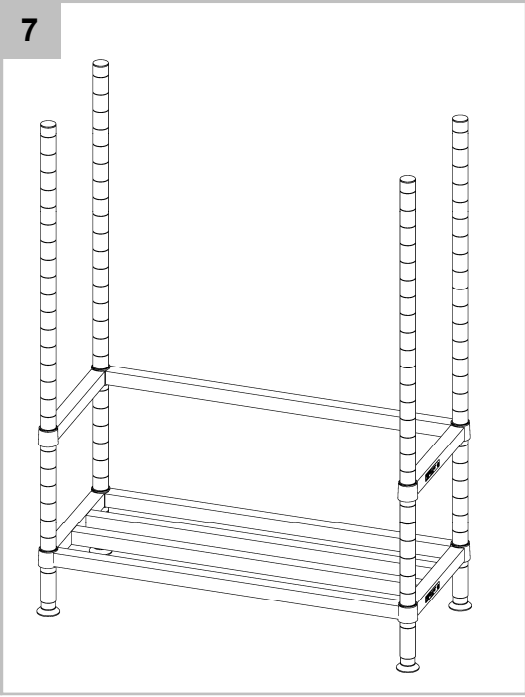
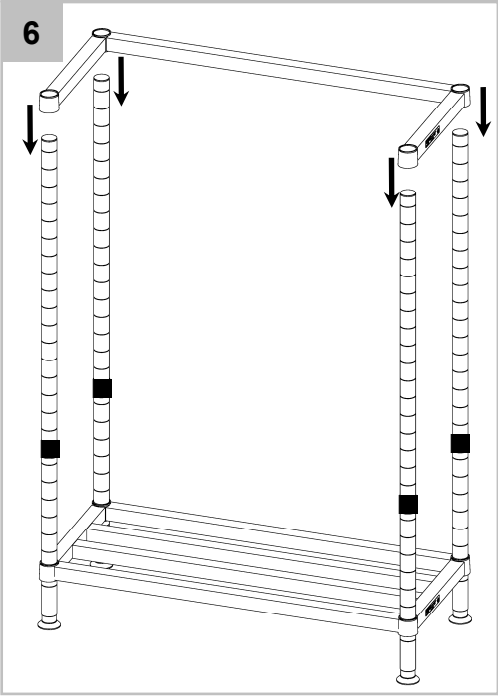
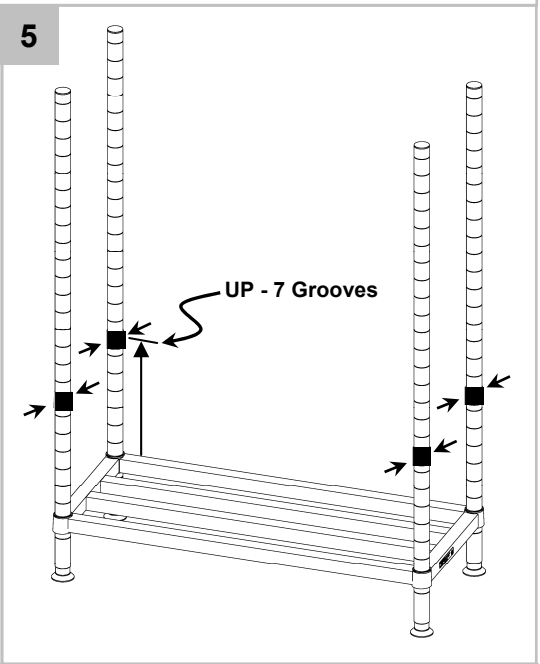
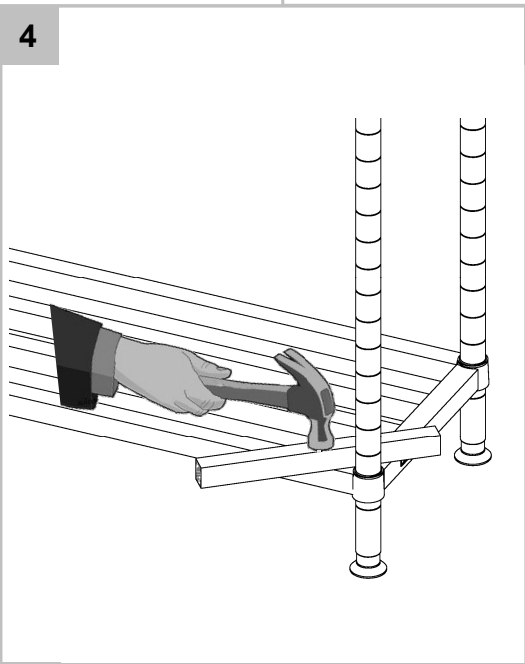
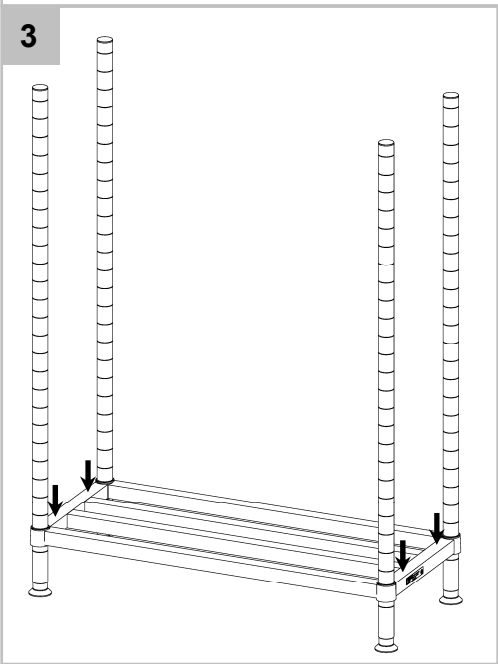
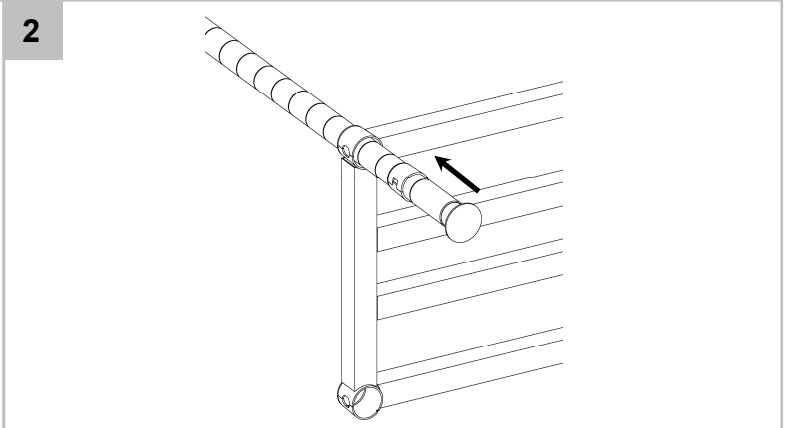
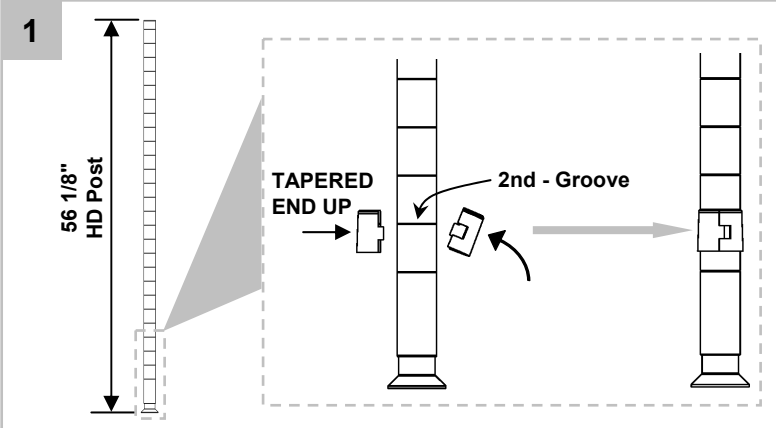
**3KR346FC
3KR366FC**

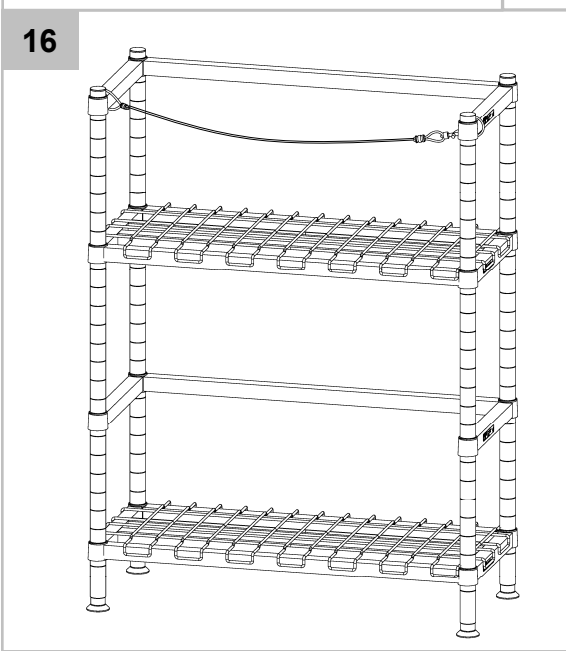
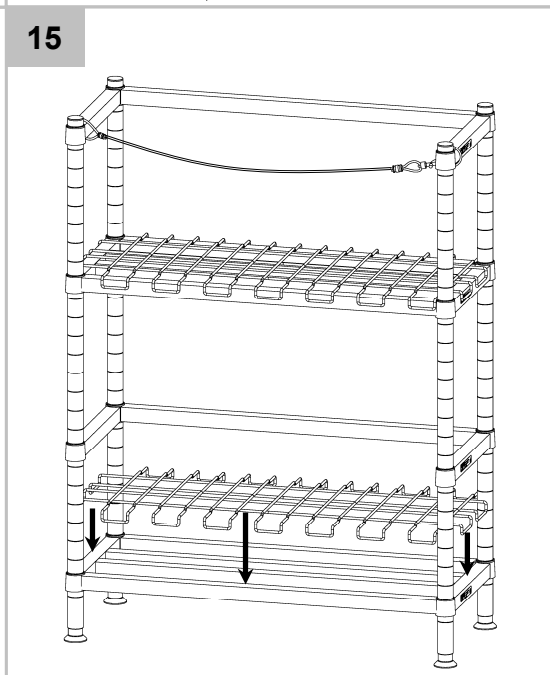
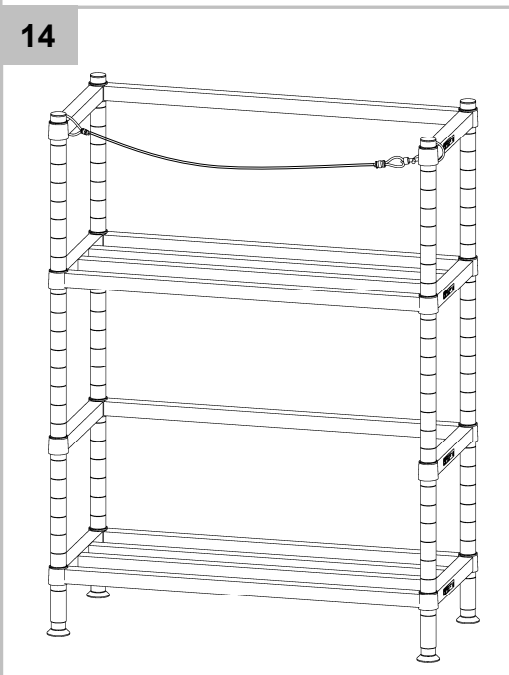
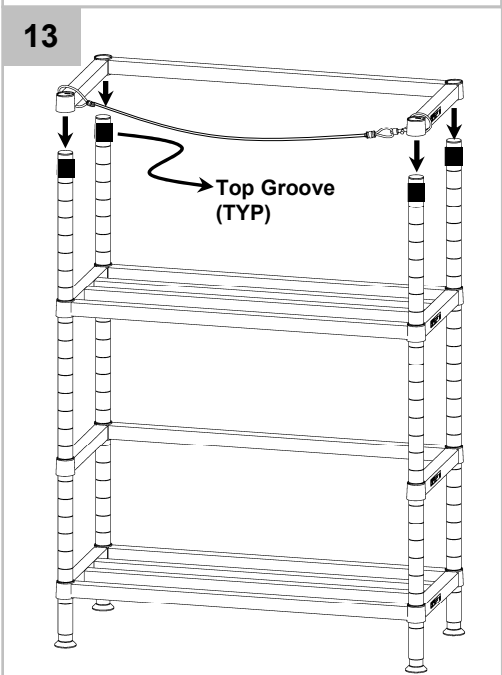
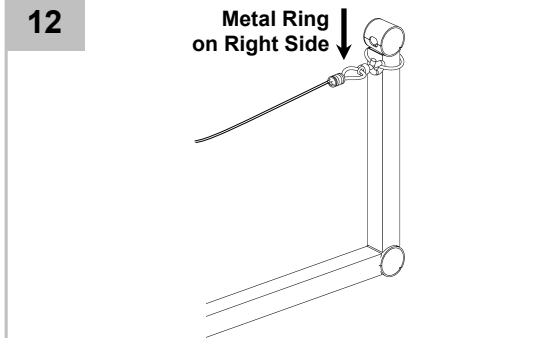
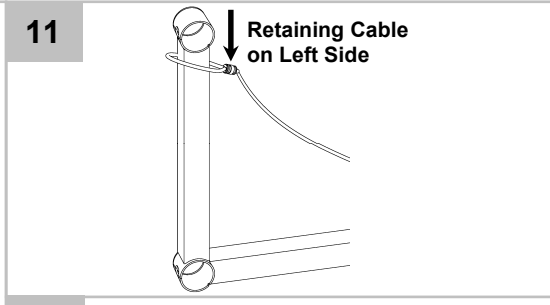
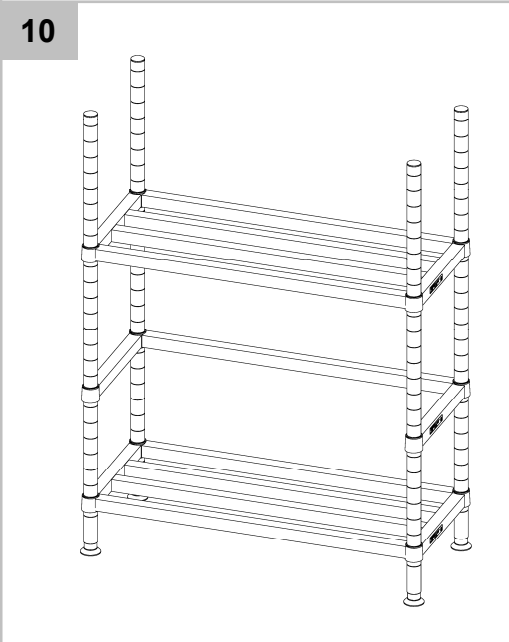
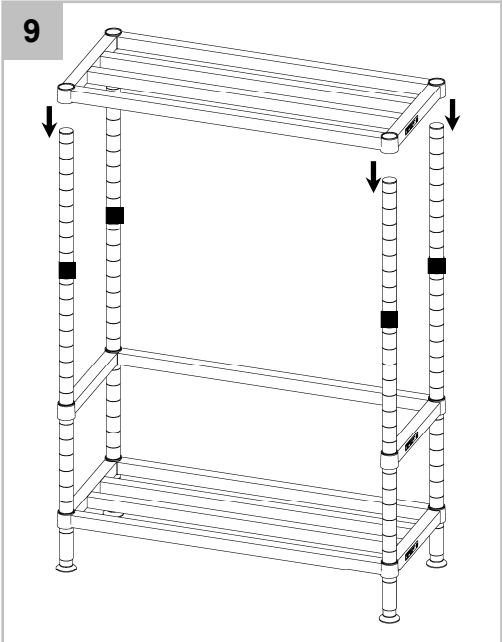


**2KR346MC
2KR366MC**



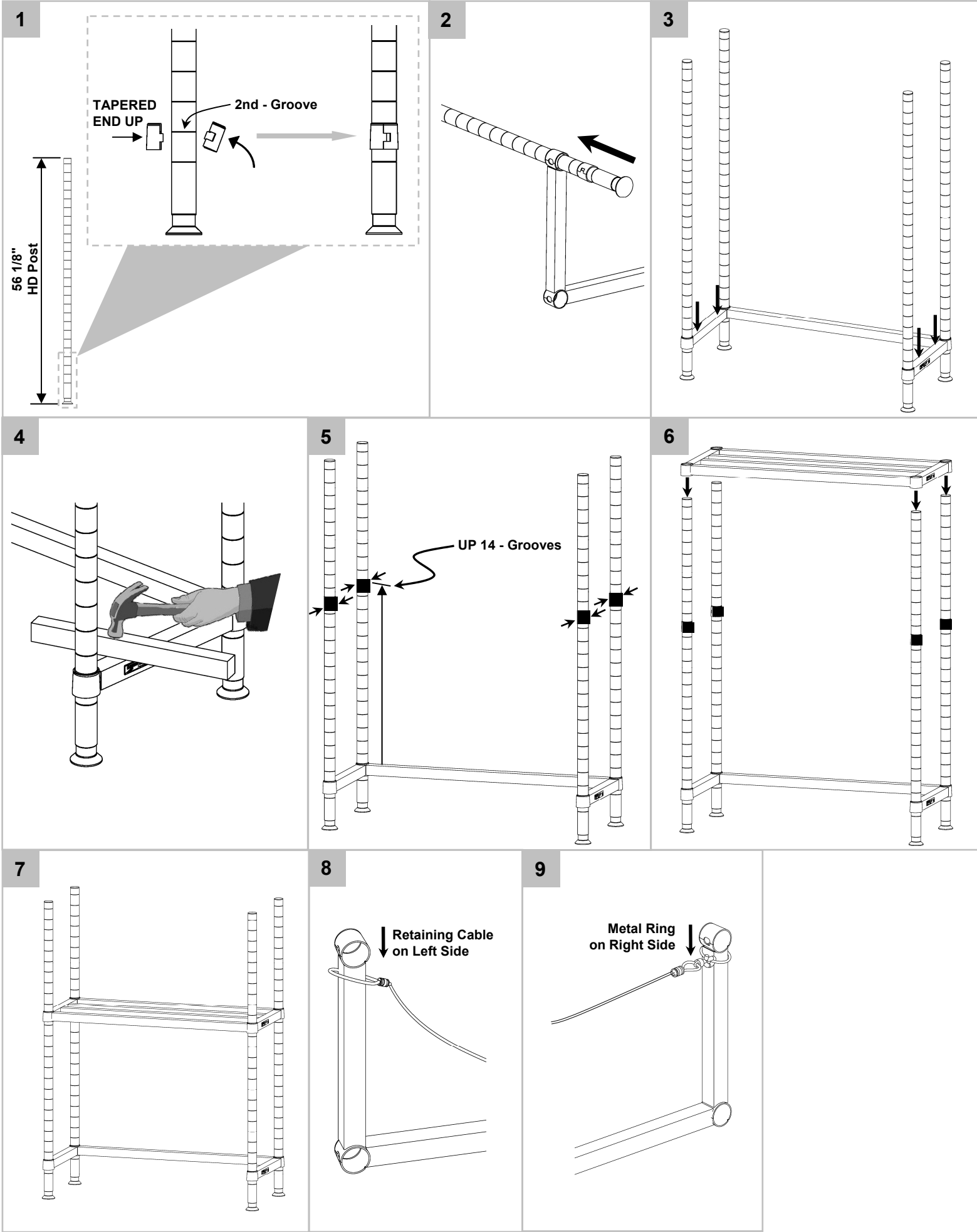
(Two People Required to Assemble)

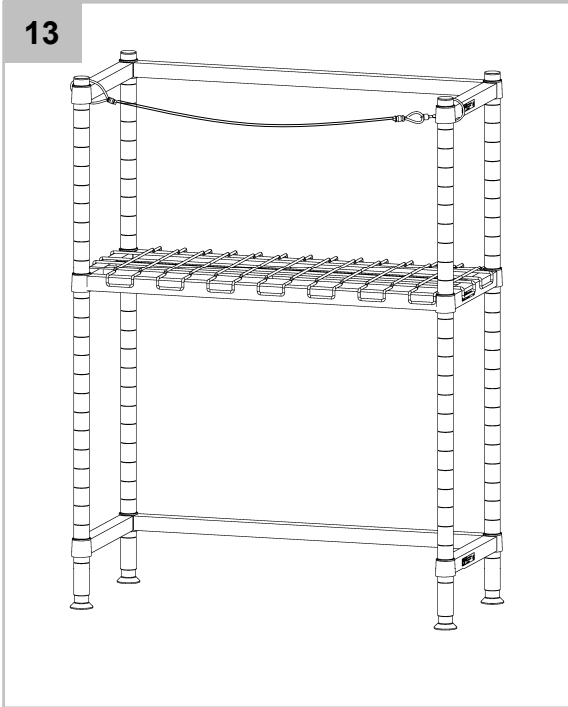
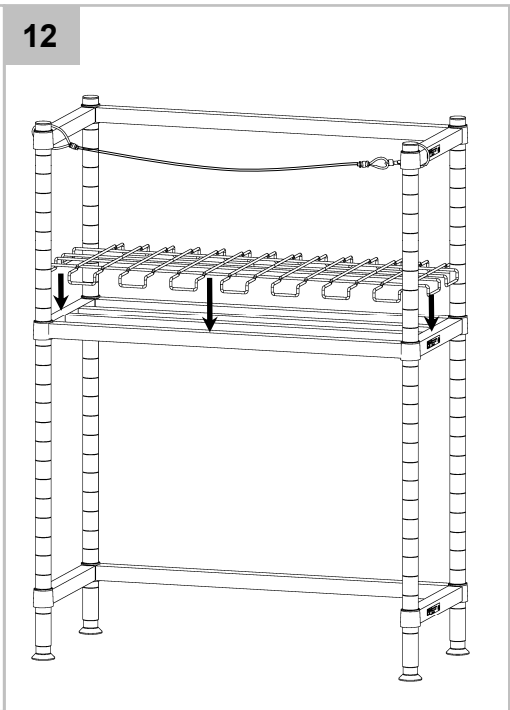
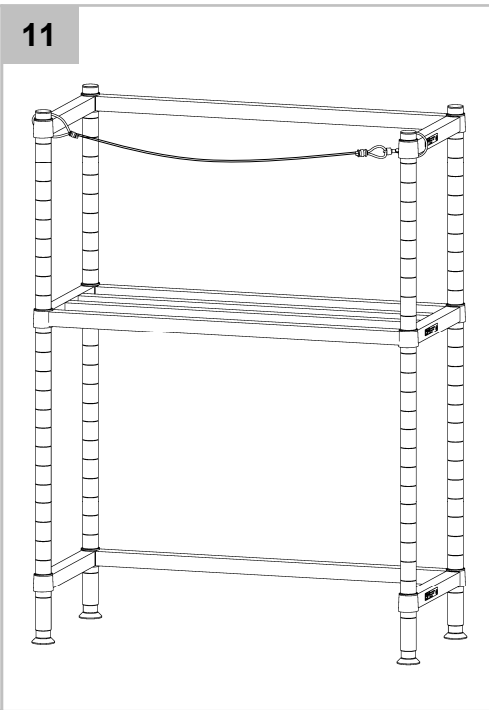
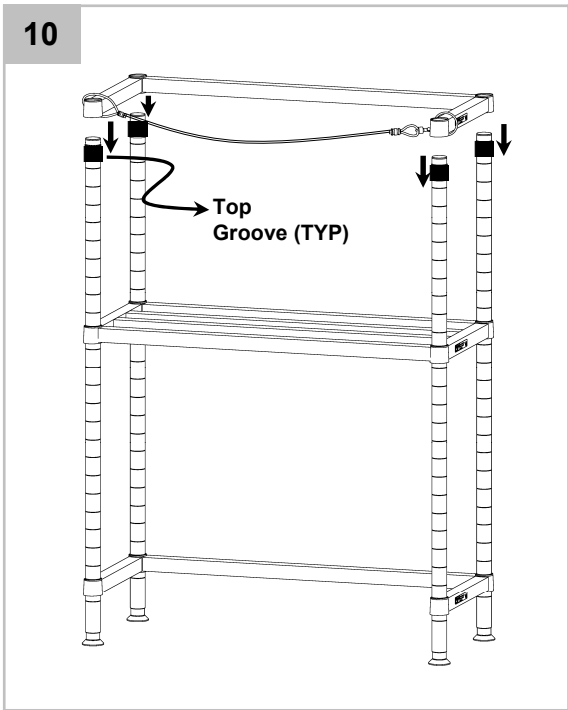




**THIS COMPLETES THE ASSEMBLY OF
MODELS 2KR345DC AND 2KR365DC
BEER KEG STORAGE RACKS**

(Two People Required to Assemble)





**THIS COMPLETES THE ASSEMBLY OF
MODELS KR345DC AND KR365DC
BEER KEG STORAGE RACKS**

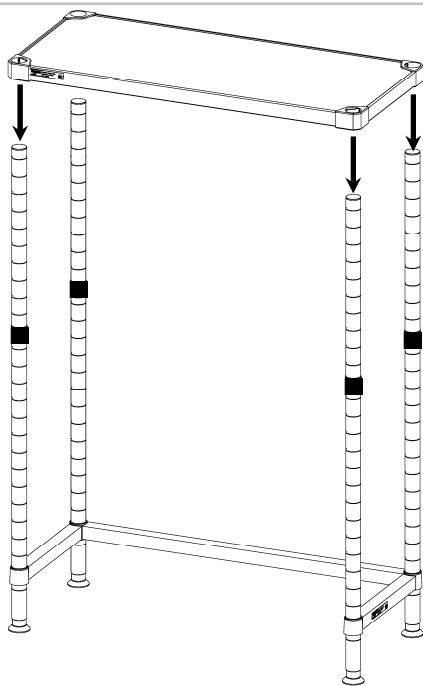
(Two People Required to Assemble)

Follow Steps

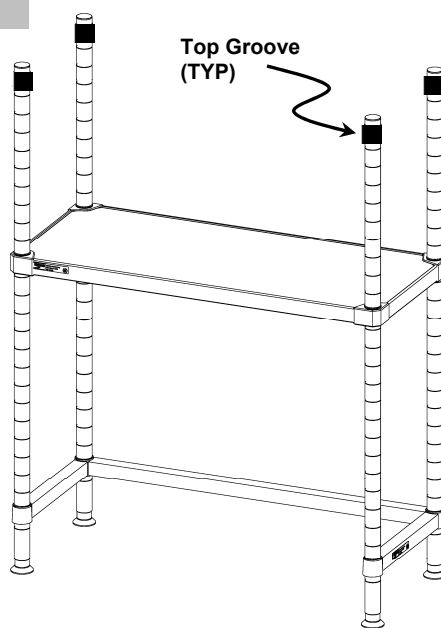
1 - 5

of
KR345DC
KR365DC

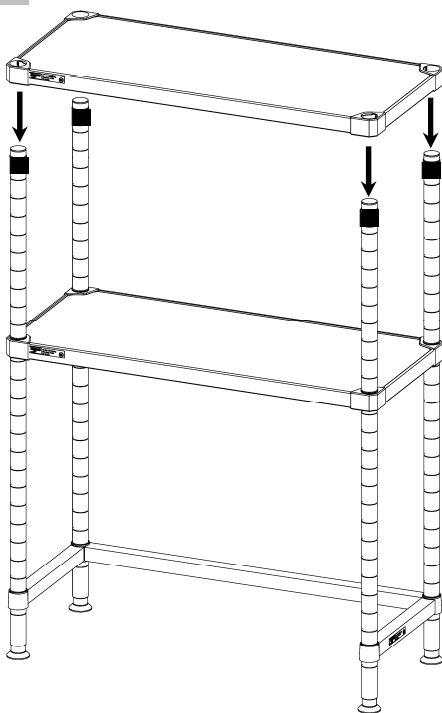
6



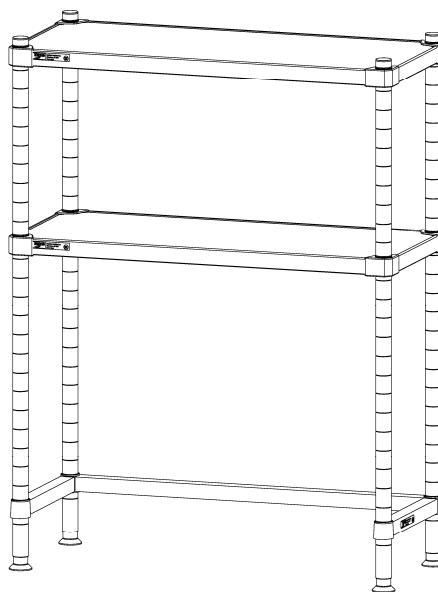
7



8



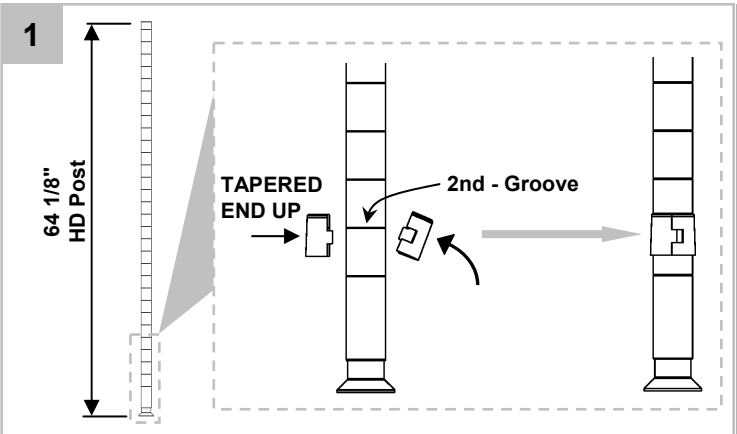
9



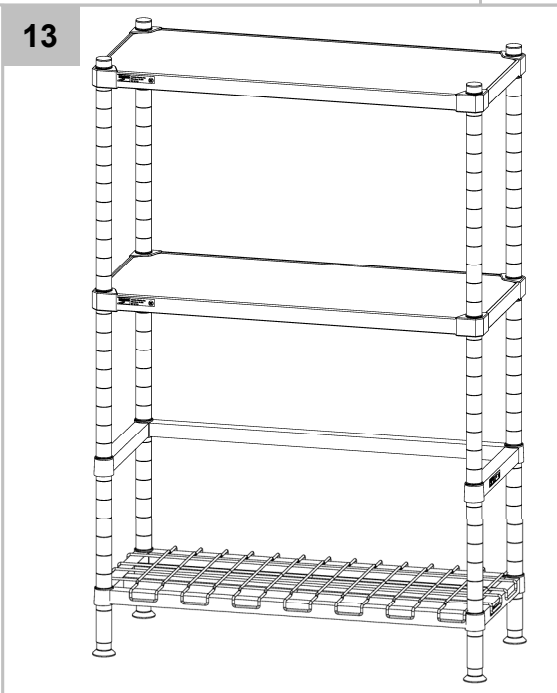
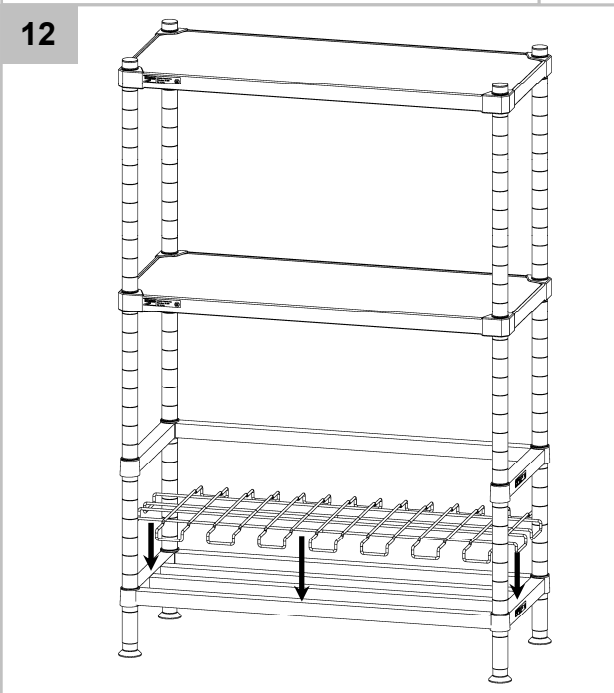
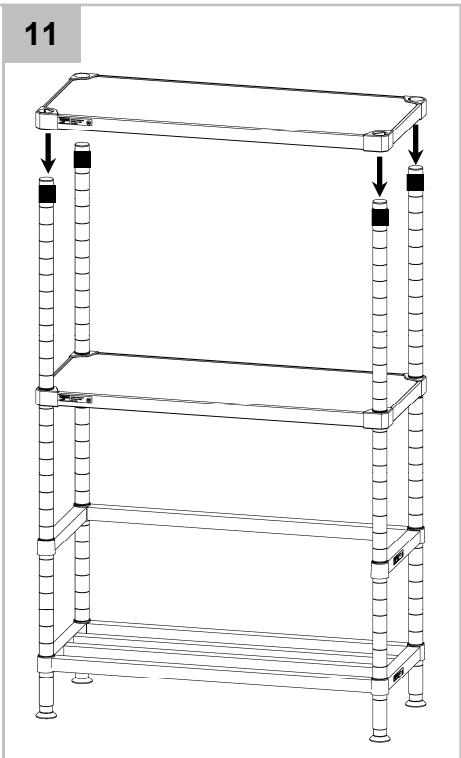
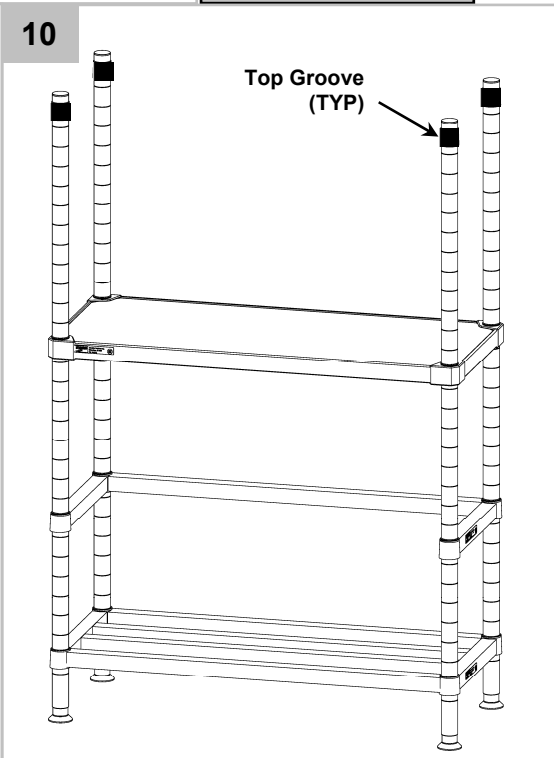
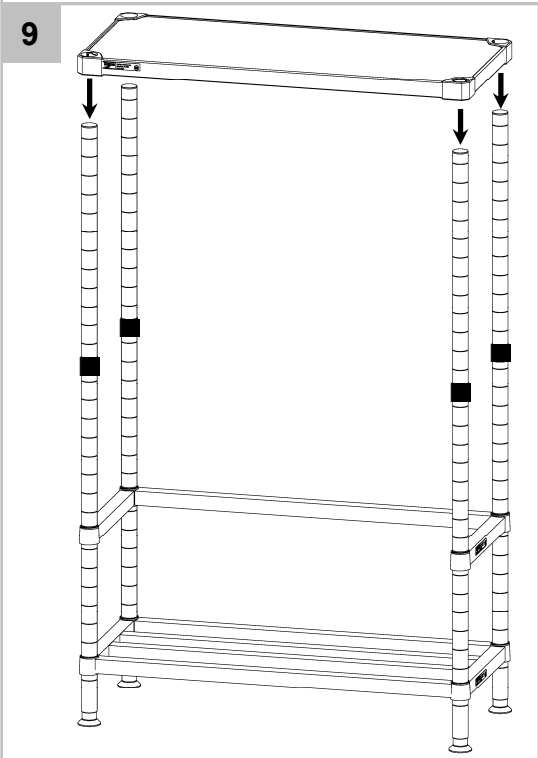
**THIS COMPLETES THE ASSEMBLY OF
MODELS 2KR345FC AND 2KR365FC
BEER KEG STORAGE RACKS**



(Two People Required to Assemble)



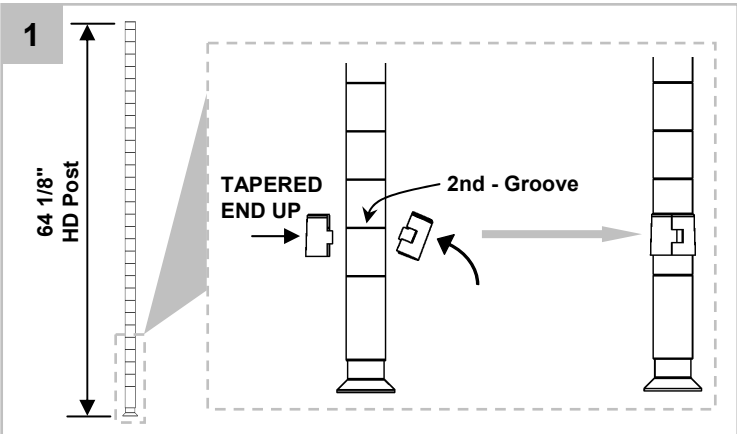
Follow Steps
2 - 8
of
2KR345DC
2KR365DC



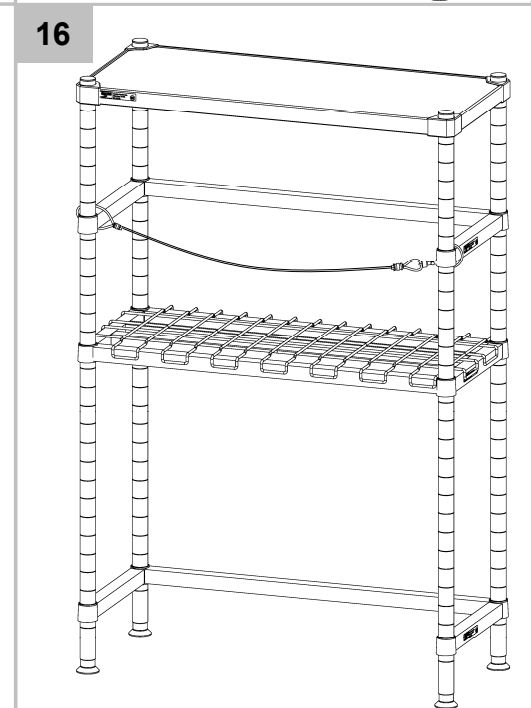
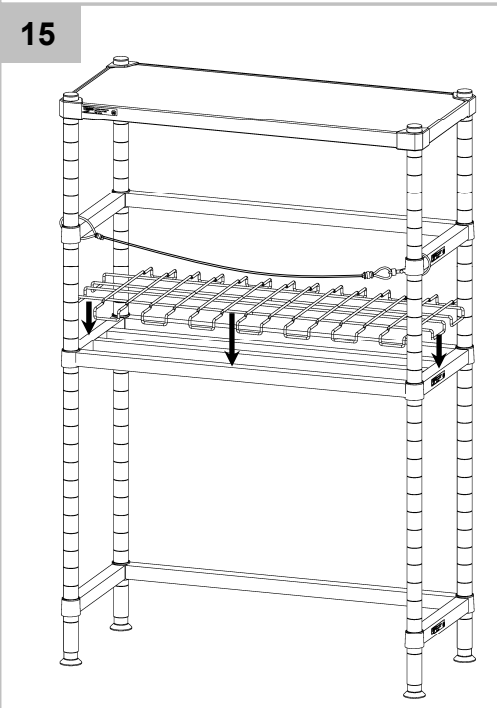
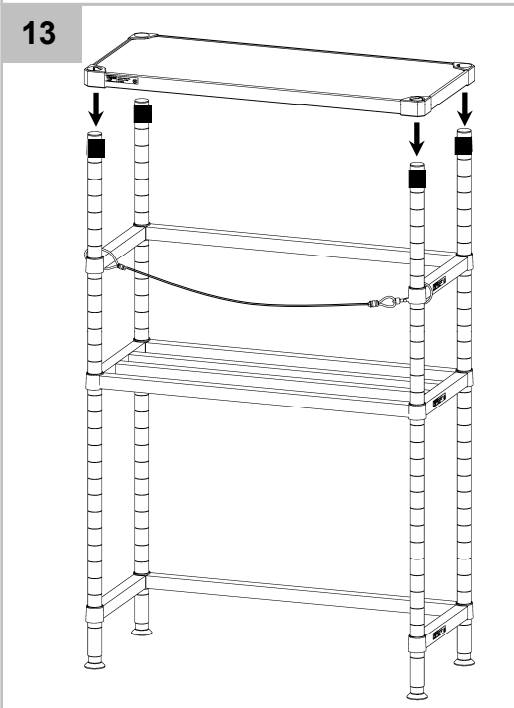
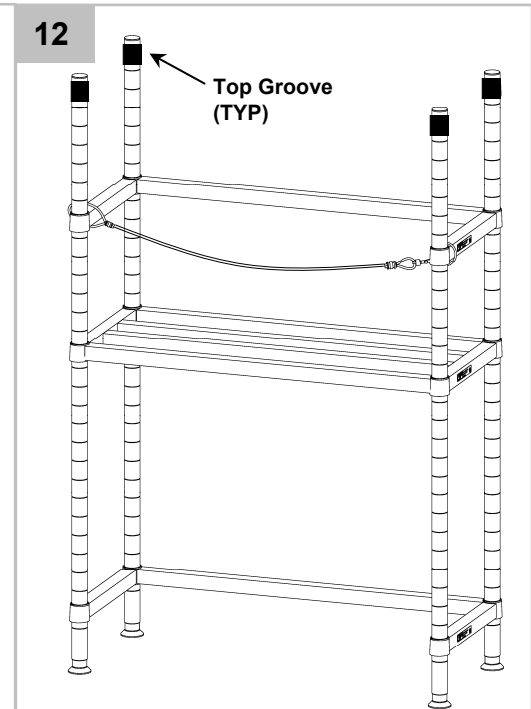
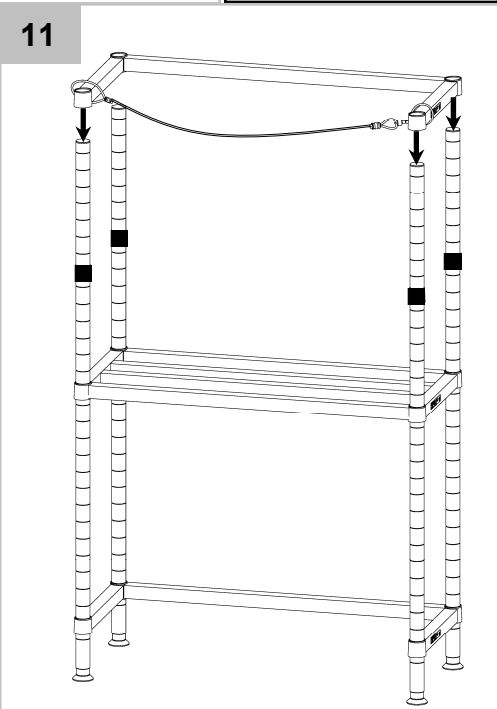
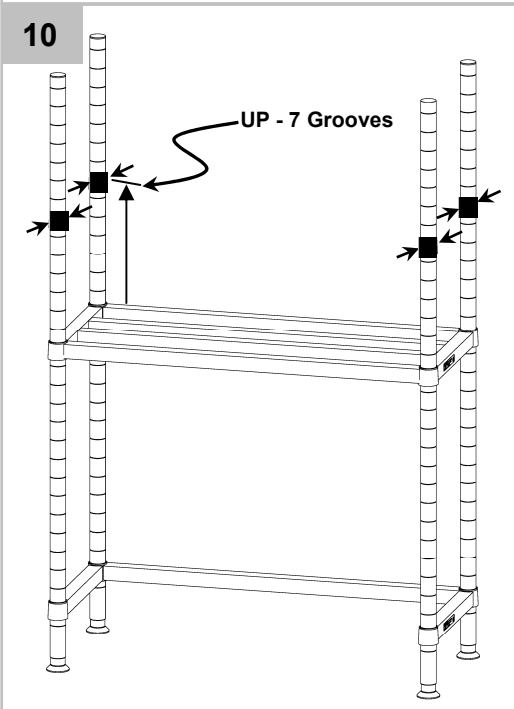
**THIS COMPLETES THE
ASSEMBLY OF MODELS
3KR346FC AND 3KR366FC
BEER KEG STORAGE RACKS**



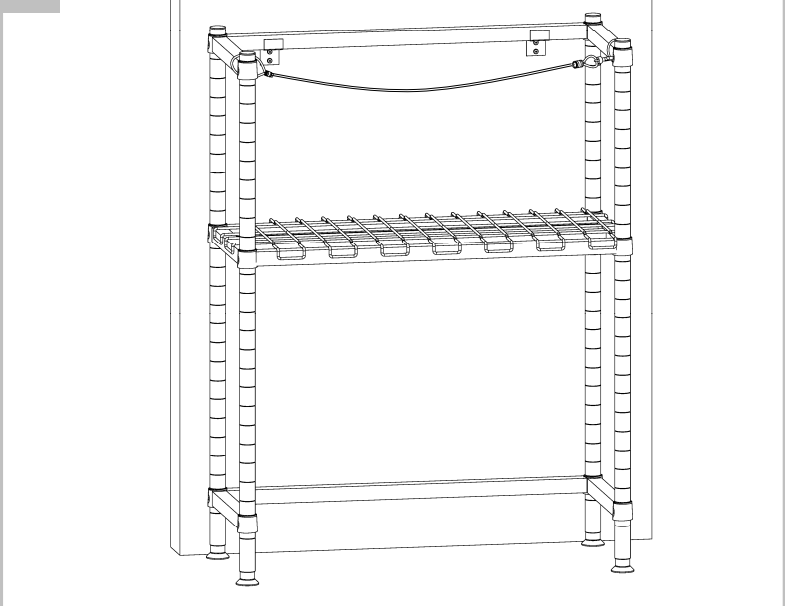
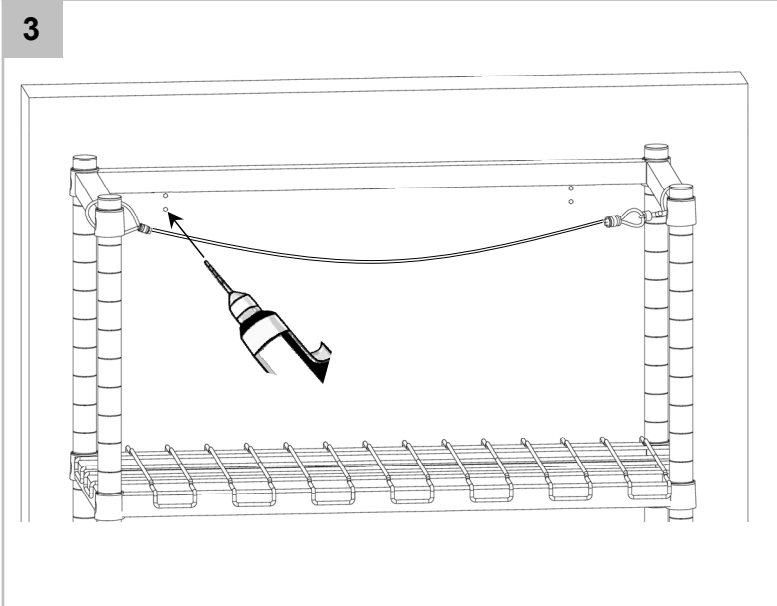
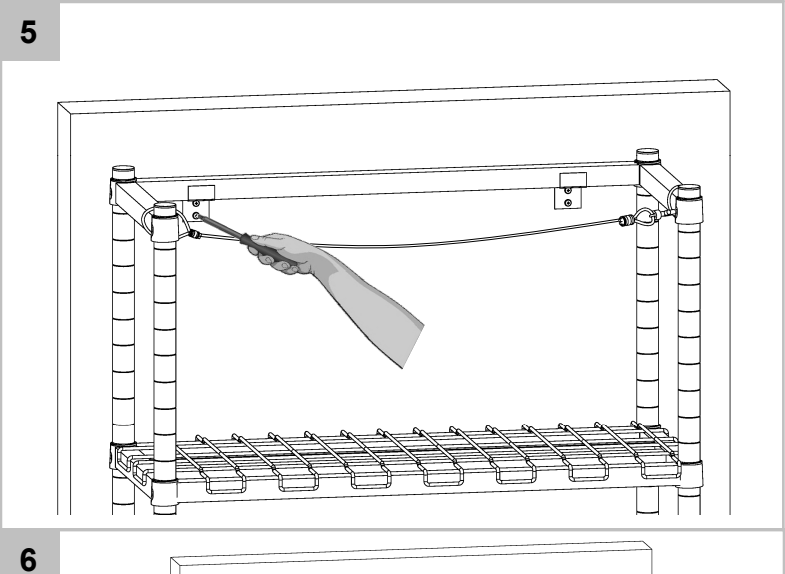
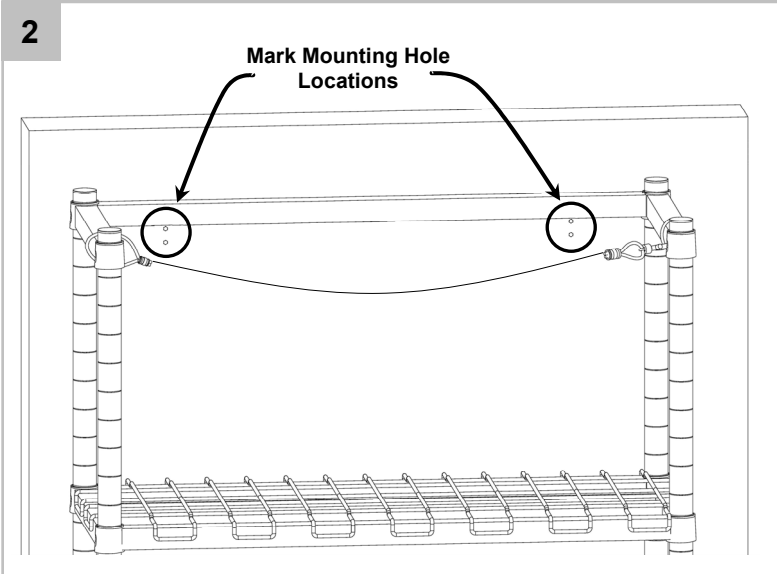
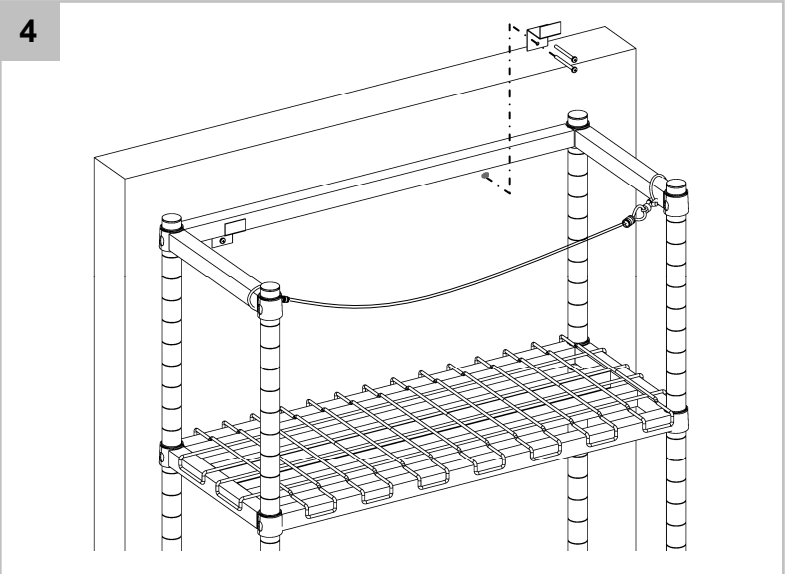
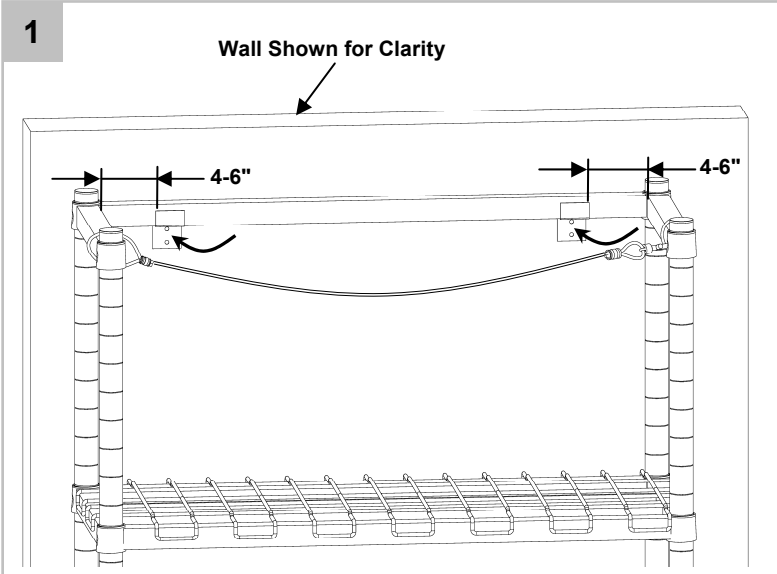
(Two People Required to Assemble)



Follow Steps
2 - 9
of
KR345DC
KR365DC

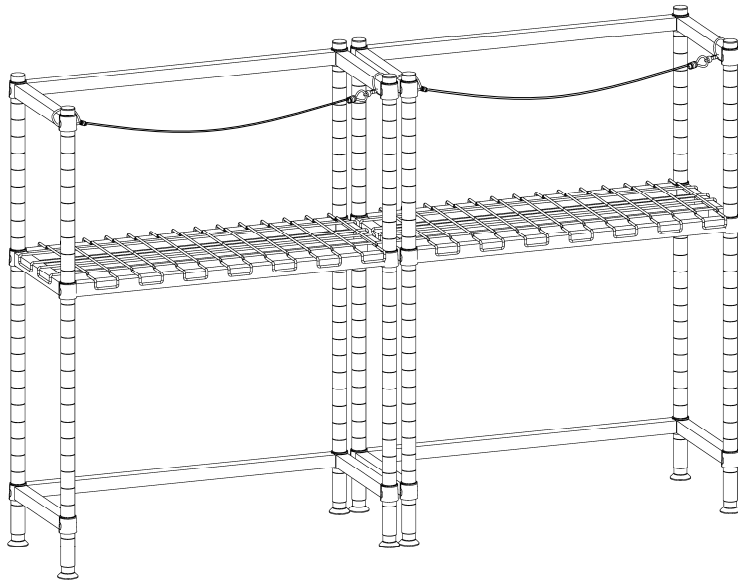


**THIS COMPLETES THE ASSEMBLY OF
MODELS 2KR346MC AND 2KR366MC
BEER KEG STORAGE RACKS**

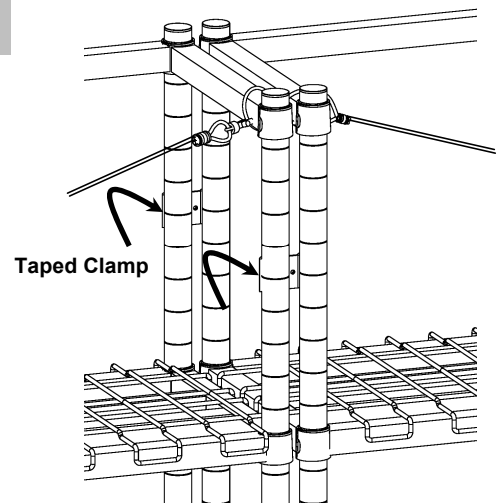


**THIS COMPLETES THE ASSEMBLY OF
THE WALL CLAMP FOR THE
BEER KEG STORAGE RACKS**

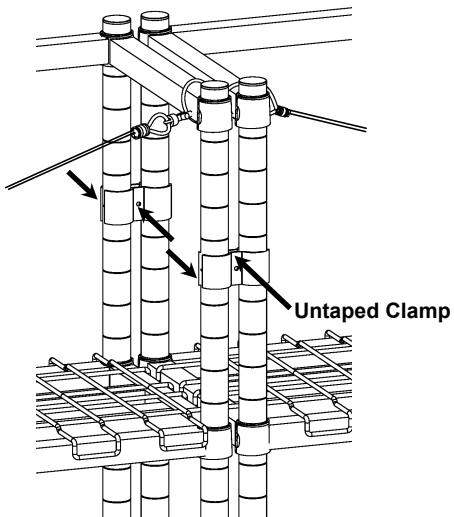
1



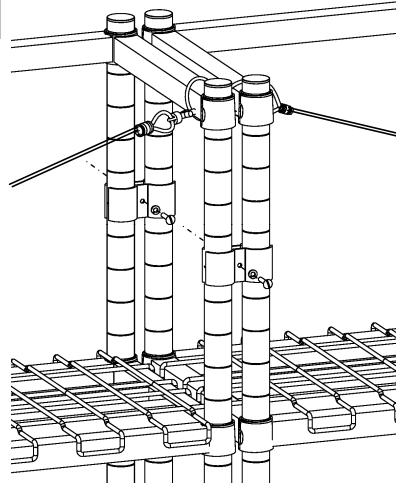
2



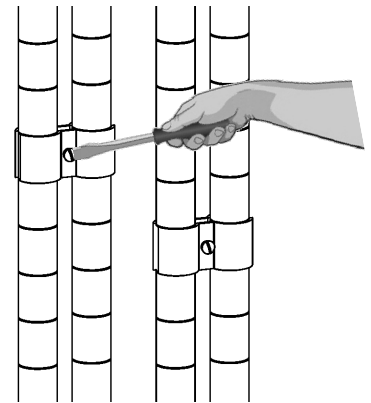
3



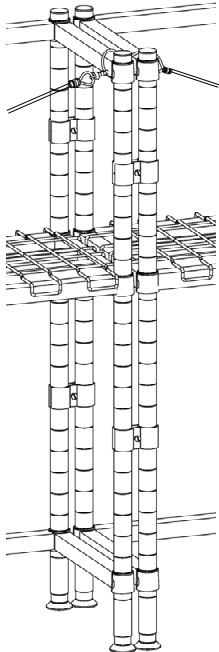
4



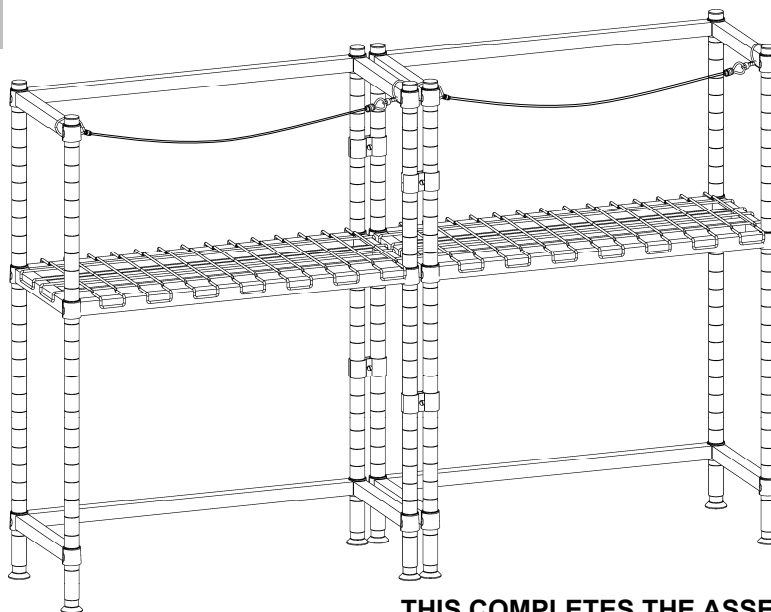
5



6



7



**THIS COMPLETES THE ASSEMBLY OF THE
POST CLAMP FOR THE BEER KEG STORAGE RACKS**