



## French Fry Warmer/ Dump Station



CONFORMS TO NSF/ANSI STD. 4  
CONFORMS TO CAN/CSA-C22.2 NO. 109  
CONFORMS TO UL STD. UL-197

**Models:** 177FFDS2

02/2024

***Please read and keep these instructions. Indoor use only.***

## Index

Introduction .....	3
Safety Instructions .....	3
Installation .....	4
Operation .....	4
Cleaning .....	4
Parts Diagram.....	5

## Introduction and Safety

### Introduction

1. Please read instructions before using this appliance.
2. When using electrical appliances, basic precautions should always be followed to reduce the risk of fire, electric shock, and injury.
3. Clean machine thoroughly before and after each use following the cleaning instructions provided below.

### Safety Instructions



**WARNING!**

All power must be disconnected at power source before any service procedure is performed.

1. This appliance is hot when in use. To avoid burns, do not let bare skin touch hot surfaces. Keep combustible materials, such as drapes and other furnishings, away from appliance.
2. Extreme caution is necessary when any appliance is used by or near children and whenever the appliance is left unattended.
3. Always unplug appliance when not in use and before cleaning, adjusting, or maintaining this machine. To disconnect appliance, turn switch off and remove plug from power source.
4. Do not operate any appliance with a damaged cord or plug, after the appliance malfunctions, or has been dropped or damaged. Return appliance to an authorized service facility for examination, electrical or mechanical adjustment, or repair.
5. Do not use outdoors. This appliance is not intended for wet or moist locations. Never locate appliance where it may fall into water.
6. Connect to properly grounded outlets only. Avoid the use of extension cords. Do not run cord under carpeting, runners, or the like. Arrange cord away from traffic area and where it will not create a tripping hazard.
7. This appliance is equipped with a power cord with a three blade plug. Plug ONLY into a matching three blade outlet. DO NOT cut or break off the third blade or attempt to use with a two blade extension cord.
8. To prevent a possible fire, it is recommended that the unit is placed on a non-combustible surface.
9. This appliance has electrical parts. Do not use it in areas where gasoline, paint, or flammable liquids are used or stored.

## Overview

### *Installation*

1. Unpack the warmer, parts, and any documentation that accompanies the unit and dispose of any unneeded packaging materials.
2. Using two screws, fix the top tube onto the warmer using the two predrilled screw holes located next to the cord.
3. Insert the top tube into the bottom leg base assembly using one screw.
4. Turn the unit right side up and place in the intended operating location, making sure the unit is level and secure.
5. Remove any protective plastic sheeting from the warmer and wipe down all surfaces.
6. Before initial use, plug the unit in and turn the toggle switch to “ON” and allow the equipment to warm up for 10-15 minutes. You may notice smoke appearing due to the elements burning in. This is normal and after 10-15 minutes the equipment is ready to use.
7. Continue to operating instructions.

### *Operation*

1. Plug the unit in using the correct outlet and electrical connection.
2. Turn the toggle switch to the “ON” position.
3. Wait approximately 5-10 minutes for the unit to preheat to the desired temperature.
4. Warm food products in the desired manner.
5. At the end of operation, turn the toggle switch to “OFF” and unplug. Allow the unit to cool down before performing any cleaning or other maintenance.

### *Cleaning*

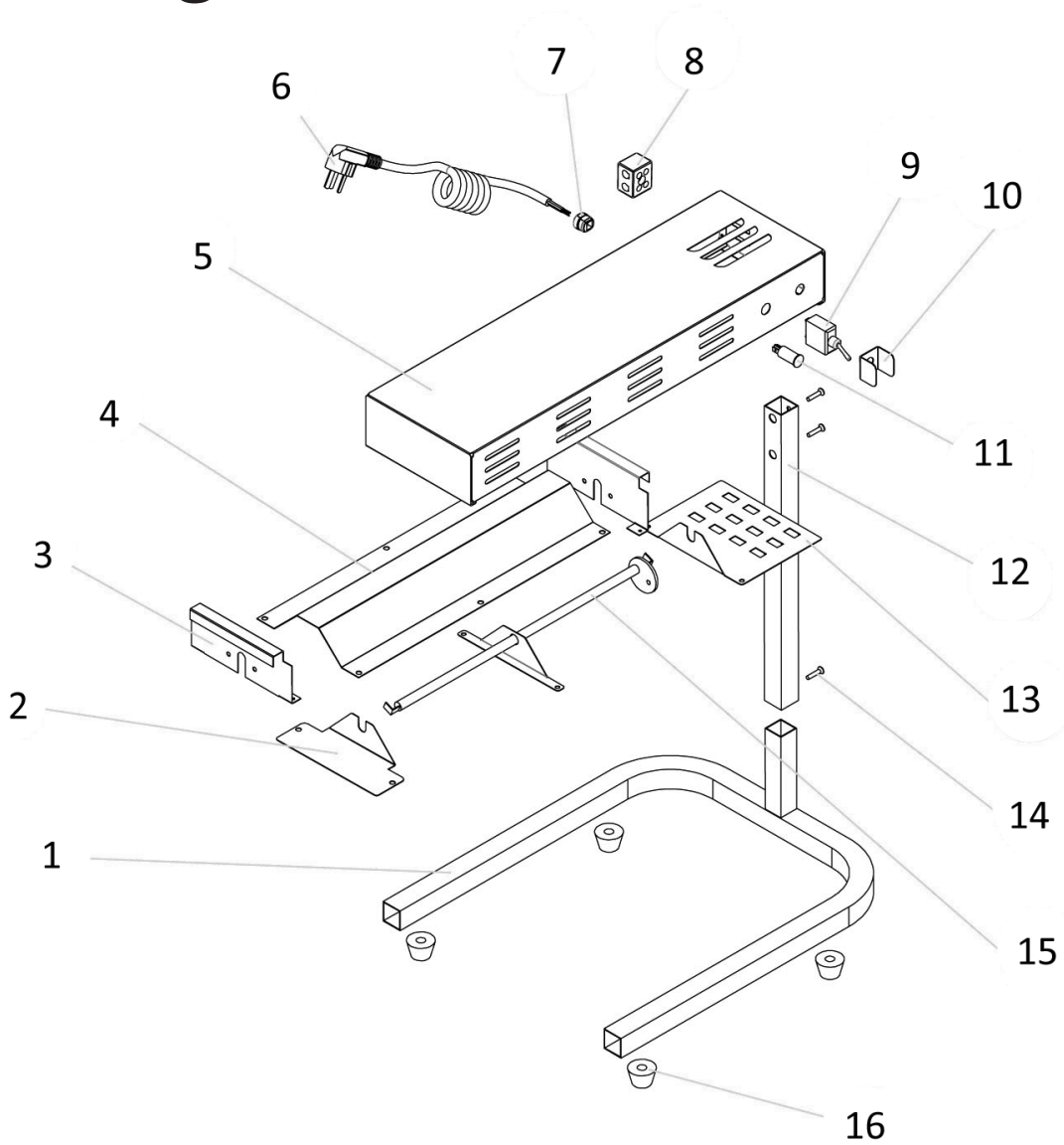
NOTE: DO NOT IMMERSE THE CORD, PLUG, OR EQUIPMENT IN WATER OR OTHER LIQUID.

1. Allow the equipment to cool completely before cleaning.
2. Unplug the equipment.

NOTE: DO NOT CLEAN THE EQUIPMENT WITH HIGHLY ABRASIVE OBJECTS SUCH AS STEEL WOOL.

3. Use a damp cloth or sponge dipped in soapy water to clean the equipment.
4. Dry thoroughly after cleaning.

## Parts Diagram



#	DESCRIPTION	QTY.
1	Base	1
2	Left Side Bracket	1
3	Left Side Heater Support	1
4	Heater Reflector	1
5	Top Body	1
6	Power Cord and Plug	1
7	Power Cord Fixer	1
8	Terminal Block	1

#	DESCRIPTION	QTY.
9	Toggle Switch	1
10	Toggle Protector	1
11	Indicator	1
12	Tube	1
13	Right Side Bracket	1
14	Screws	1
15	Heater	1
16	Feet	4