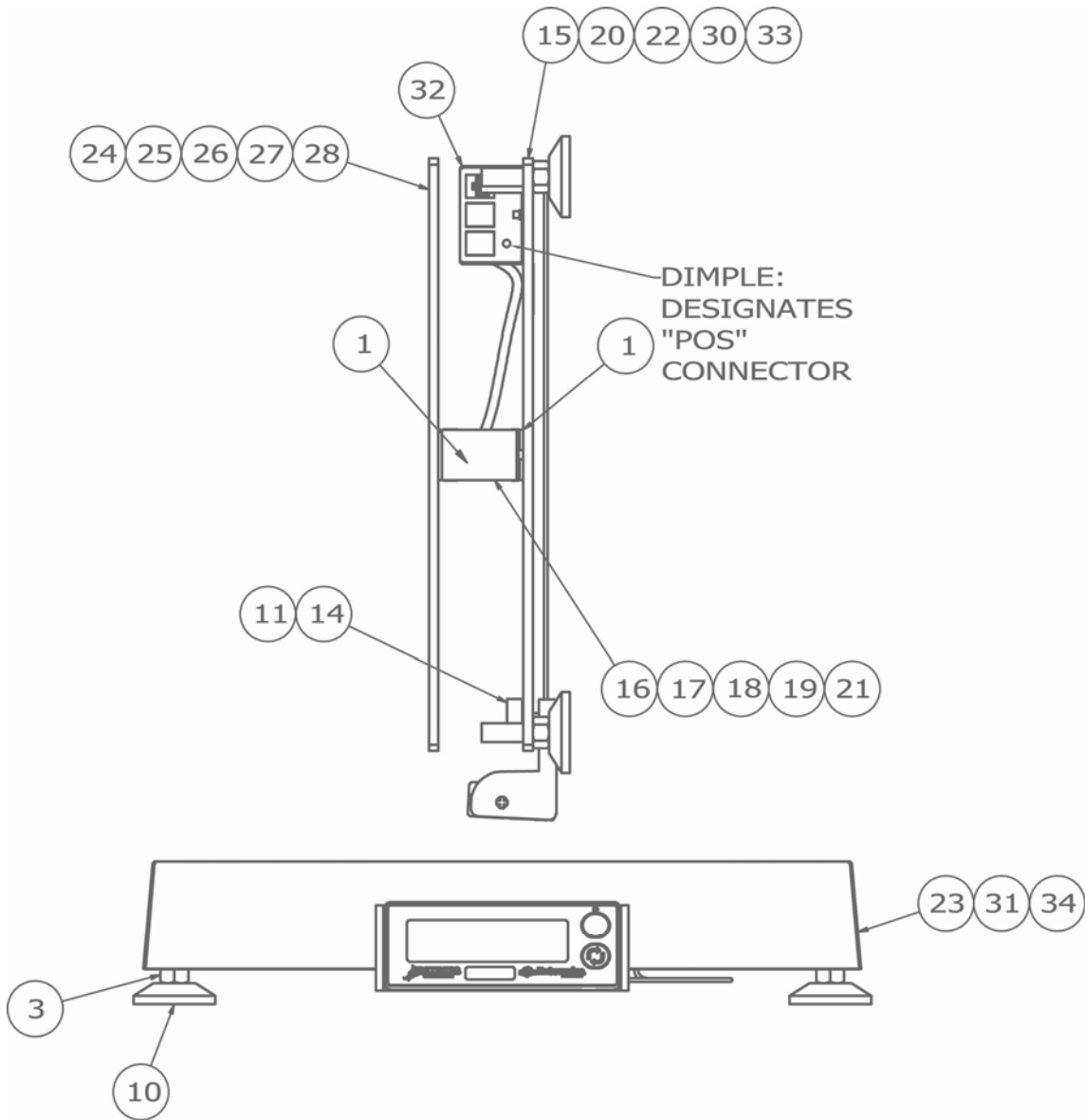


PARTS IDENTIFICATION

(ALL MODEL EXCEPT APS250)



PARTS IDENTIFICATION, CONT.

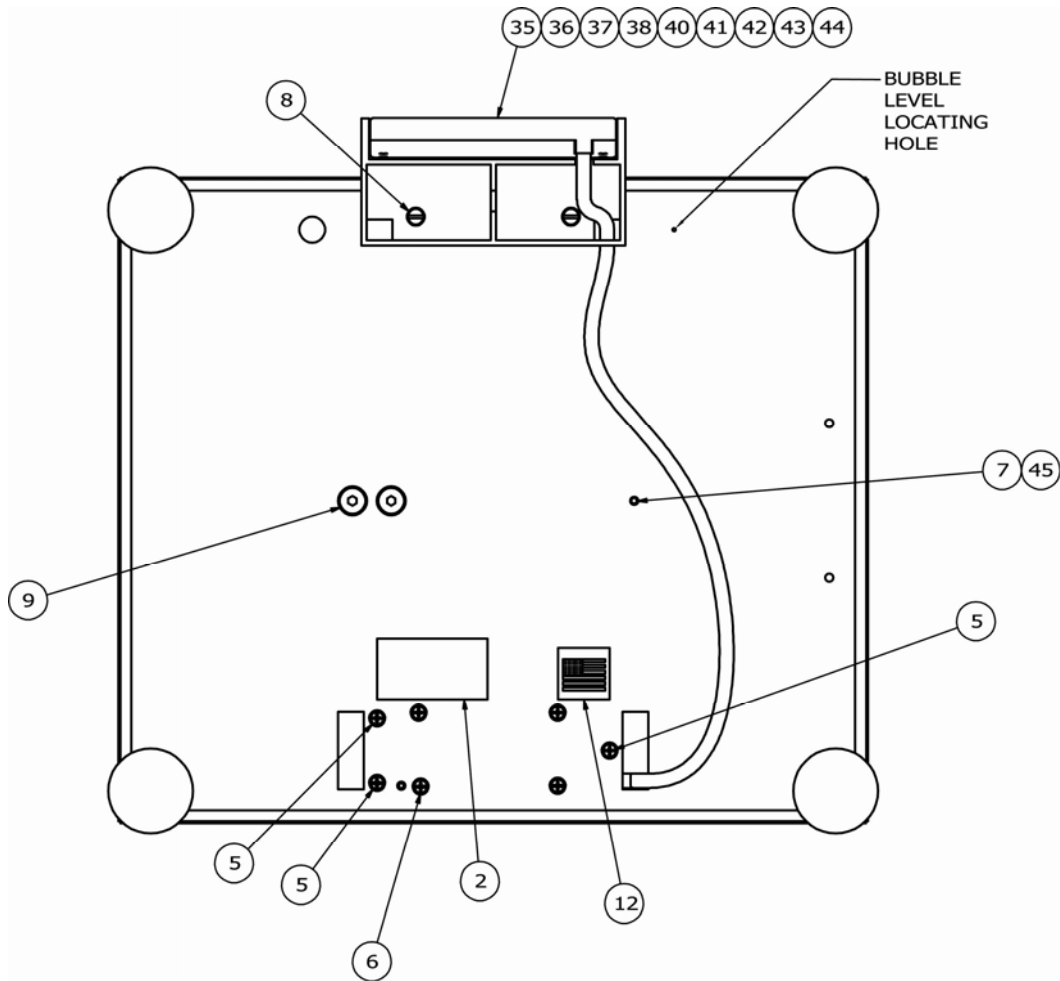
(ALL MODEL EXCEPT APS250)

ITEM	PART NO.	QTY	DESCRIPTION
1 1	960-B465-08	2	SPACER FOR EB-XXX-XXXX
3 6	013-0077	4	HEX NUT
10	6540-1165	4	LEVELLING FOOT, 1.63 BASE X 3/8"-16 X 1.3 STUD, BLK PU
11	6560-1072	A/R	ADHESIVE, LOCTITE 49
14	6690-0001	1	BULLSEYE BUBBLE LEVEL
15	8527-0519-08	1	BASE PLATE, 30
16	8527-0520-0A	1	LOAD CELL ASSY, 10KG (APS160, APS15, APS8, APS12)
17	8527-0521-0A	1	LOAD CELL ASSY, 15KG (APS10, APS20)
18	8527-0521-1A	1	LOAD CELL ASSY, 15KG (APS30)
19	8527-0522-0A	1	LOAD CELL ASSY, 30KG (APS70)
20	8527-0523-08	1	BASE PLATE, 150
21	8527-0524-0A	1	LOAD CELL ASSY, 100KG (APS150)
22	8527-0527-08	1	BASE PLATE, 70
23 8527	-0528-08	1	COVER, 12X14
24 8527	-0529-08	1	TOP PLATE, 8/10/12
25 8527	-0530-08	1	TOP PLATE, 160/15/20
26 8527	-0531-08	1	TOP PLATE, 30
27 8527	-0532-08	1	TOP PLATE, 70
28 8527	-0533-08	1	TOP PLATE, 150
30	8527-C503-08	1	BASE PLATE, 8/10/12
31 85	27-C504-08	1	COVER, 6X10
32 85	27-C505-08	1	PCB COVER
33	8527-C513-08	1	BASE PLATE, 160/15/20
34 85	27-C514-08	1	COVER, 10X10

A/R = AS REQUIRED

PARTS IDENTIFICATION, CONT.

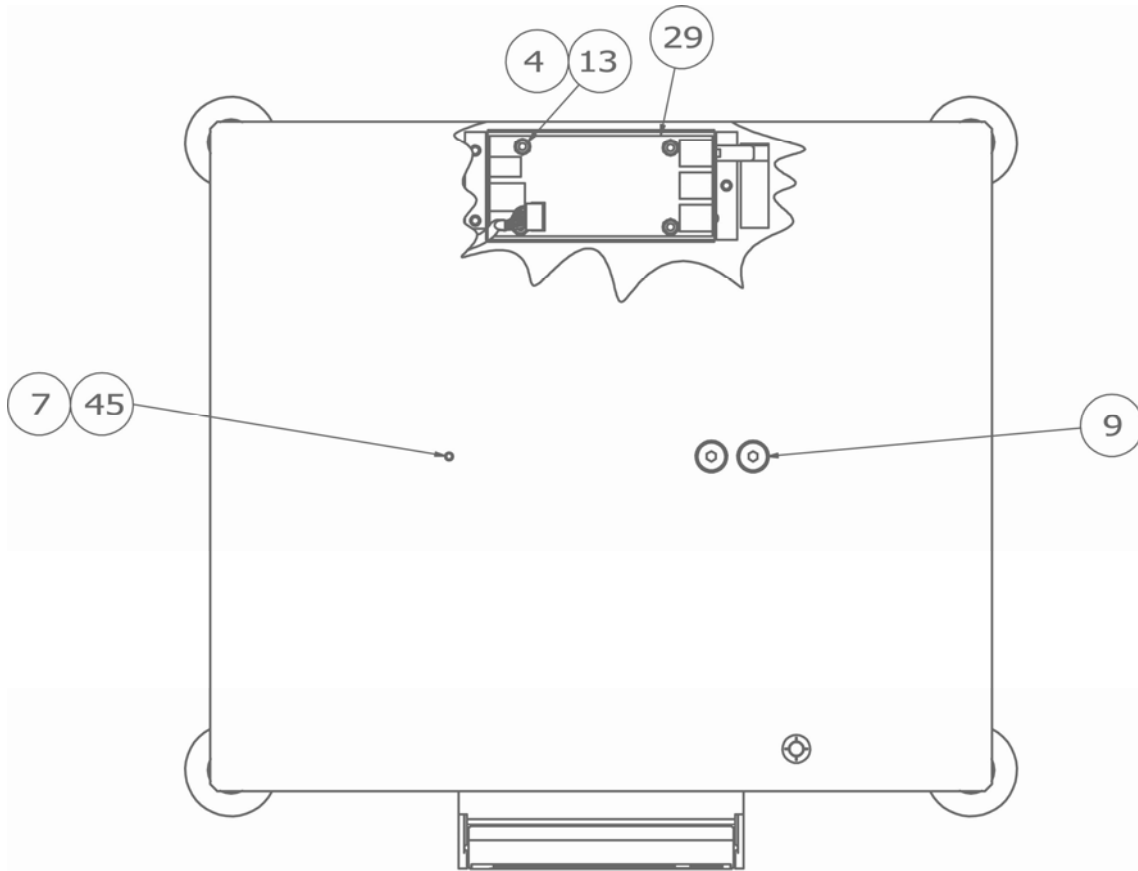
(ALL MODEL EXCEPT APS250)



ITEM	PART NO.	QTY	DESCRIPTION
2	593GR986	1	SERIAL TAG ASSY
5	6021-0625	3	SCW FLAT-HEAD. MACHINE-SCW 06-32X.375
6	6021-0659	4	SCW FLAT-HEAD. MACHINE-SCW 06-32X1.00
7	6021-1069	2	SCW CUP-POINT. SET-SCREW.. 10-32X.25 NYLON PATCH
8	6021-1108	2	SCW FILLISTER. MACHINE-SCW 10-32X.375
9	6021-1706	4	SCW FLAT-HEAD. CAP-SCREW.. .25-20X.625
12	6650-0087	1	LABEL, MADE IN USA (WITH FLAG) 1" X 1"
35	8527-D510-0A	1	DISPLAY SUB-ASSY, 10
36	8527-D510-1A	1	DISPLAY SUB-ASSY, 160
37	8527-D510-2A	1	DISPLAY SUB-ASSY, 15
38	8527-D510-3A	1	DISPLAY SUB-ASSY, 30
40	8527-D510-5A	1	DISPLAY SUB-ASSY, 70
41	8527-D510-6A	1	DISPLAY SUB-ASSY, 150
42	8527-D510-9A	1	DISPLAY SUB-ASSY, 8
43	8527-D510-AA	1	DISPLAY SUB-ASSY, 12
44	8527-D510-BA	1	DISPLAY SUB-ASSY, 12
45 5	93R1007	2	FACTORY SET LABEL

PARTS IDENTIFICATION, CONT.

(ALL MODEL EXCEPT APS250)

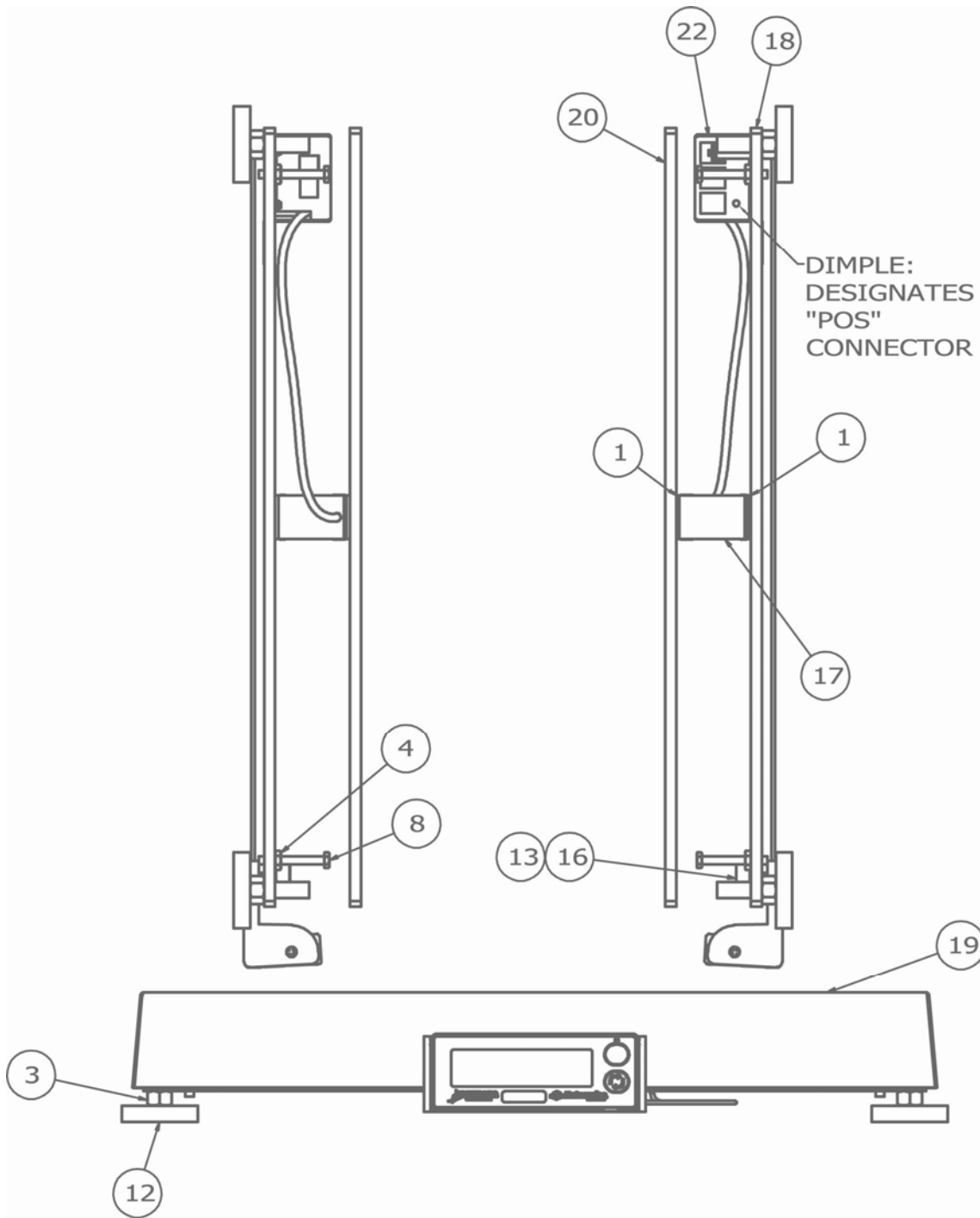


VIEW SHOWN WITHOUT COVER
(COMMODITY TRAY)

ITEM	PART NO.	QTY	DESCRIPTION
4	6021-0623	4	SCW PAN-HEAD.. MACHINE-SCW 06-32X.750
7	6021-1069	2	SCW CUP-POINT. SET-SCREW.. 10-32X.25 NYLON PATCH
9	6021-1706	4	SCW FLAT-HEAD. CAP-SCREW.. .25-20X.625
13	6680-0004	4	WASHER LOCK INT TOOTH #6 TYPE A Z-PL
29	8527- C500-0A	1	ANALOG PCB
45	593R 1007	2	FACTORY SET LABEL

PARTS IDENTIFICATION, CONT.

(APS250 ONLY)



PARTS IDENTIFICATION, CONT.

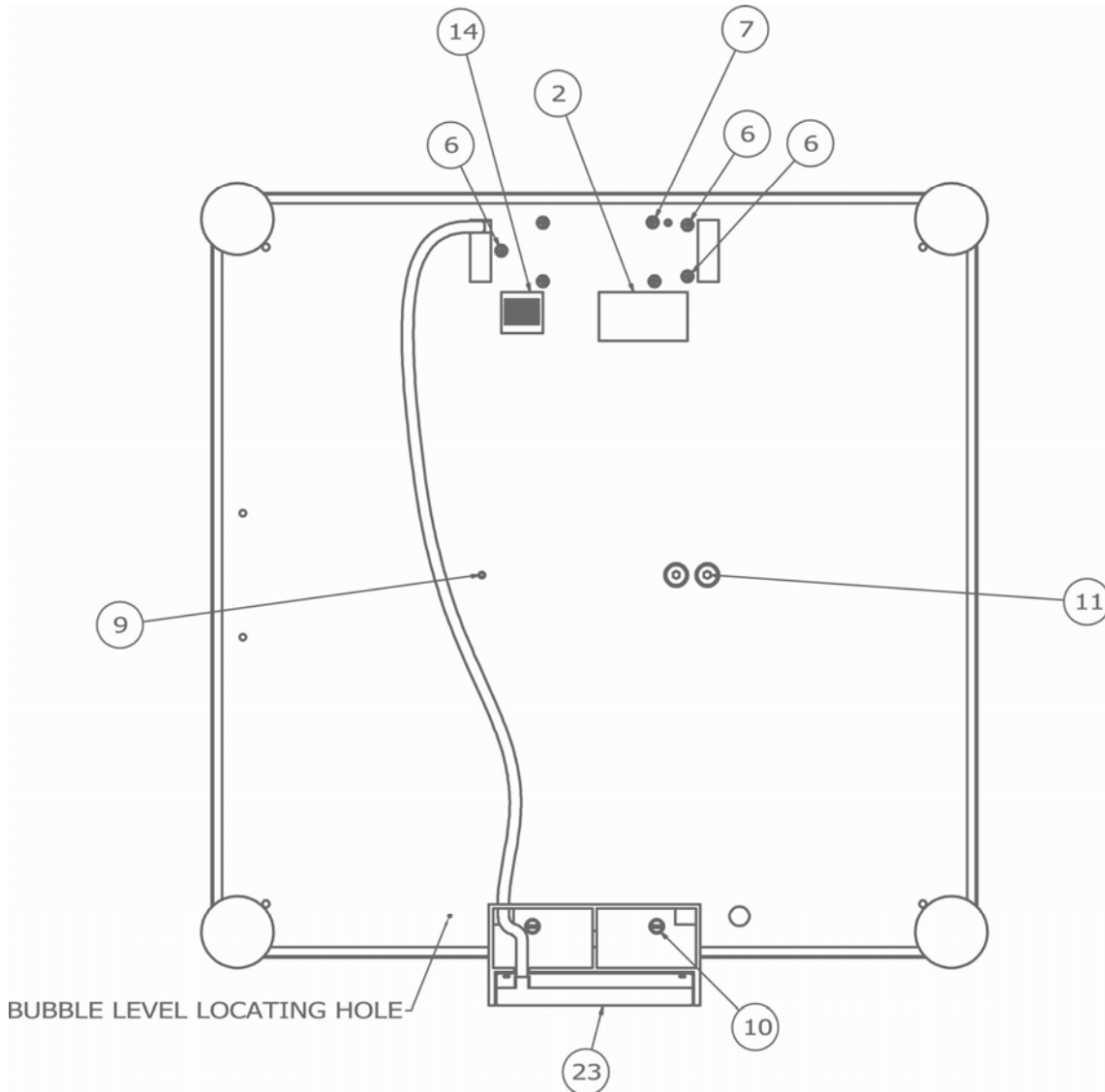
(APS250 ONLY)

ITEM	PART NO.	QTY	DESCRIPTION
1 1	960-B465-08	2	SPACER FOR EB-XXX-XXXX
3 6	013-0077	4	HEX NUT
4	6013-0295	4	NUT #10-32 HEX Z/P
8	6021-0950	4	SCW HEX-HEAD.. MACHINE-SCW 10-32X1.50 Z/P
10	6021-1108	2	SCW FILLISTER. MACHINE-SCW 10-32X.375
12	6540-1123	4	LEVELLER SCREW, 3/8-16 X 1 1/4", BLACK
13	6560-1072	A/R	ADHESIVE, LOCTITE 49
16	6690-0001	1	BULLSEYE BUBBLE LEVEL
17	8527-0524-1A	1	LOAD CELL ASSY, 100KG
18	8527-0525-08	1	BASE PLATE, 250
19 8527	-0526-08	1	COVER, 18X18
20 8527	-0534-08	1	TOP PLATE, 250
22 85	27-C505-08	1	PCB COVER

A/R = AS REQUIRED

PARTS IDENTIFICATION, CONT.

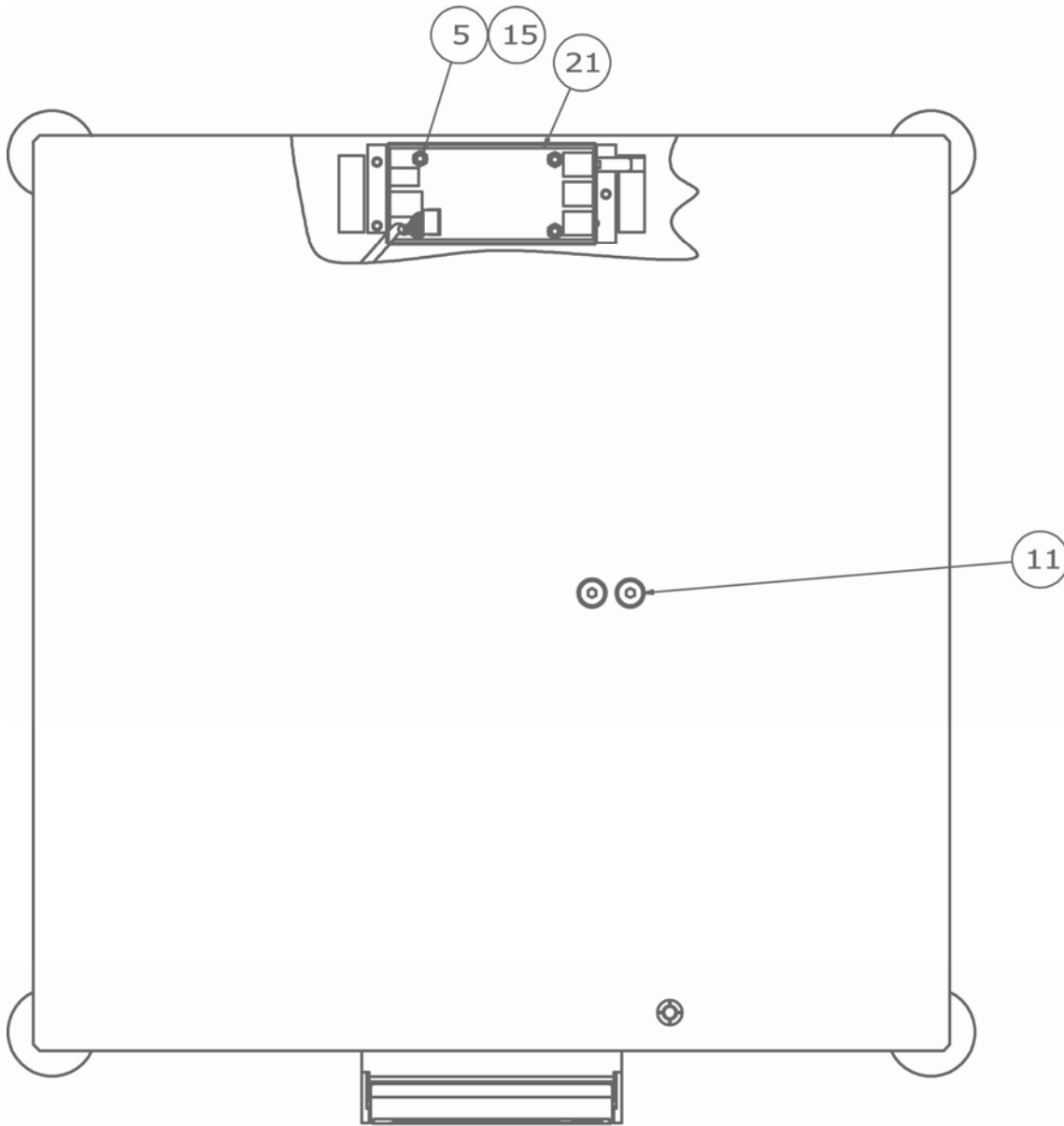
(APS250 ONLY)



ITEM	PART NO.	QTY	DESCRIPTION
2	593GR986	1	SERIAL TAG ASSY
6	6021-0625	3	SCW FLAT-HEAD. MACHINE-SCW 06-32X.375
7	6021-0659	4	SCW FLAT-HEAD. MACHINE-SCW 06-32X1.00
9	6021-1069	1	SCW CUP-POINT. SET-SCREW.. 10-32X.25 NYLON PATCH
10	6021-1108	2	SCW FILLISTER. MACHINE-SCW 10-32X.375
11	6021-1706	4	SCW FLAT-HEAD. CAP-SCREW.. .25-20X.625
14	6650-0087	1	LABEL, MADE IN USA (WITH FLAG) 1" X 1"
23	8527-D510-7A	1	DISPLAY SUB-ASSY, 250

PARTS IDENTIFICATION, CONT.

(APS250 ONLY)

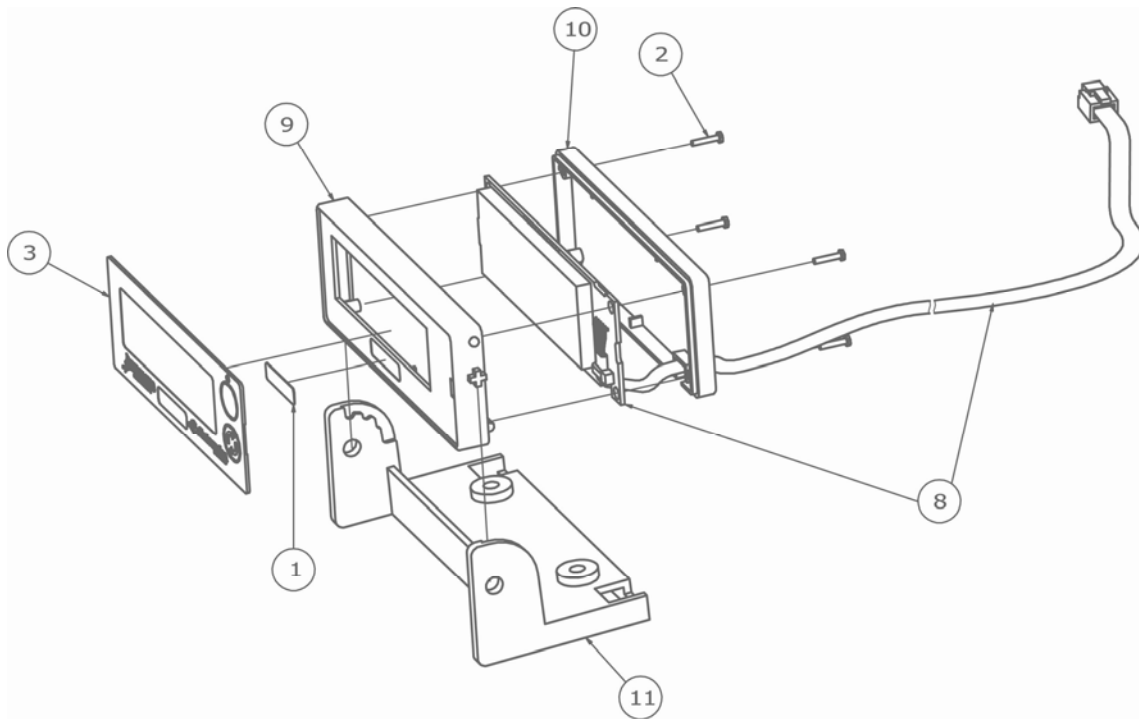


VIEW SHOWN WITHOUT COVER
(COMMODITY TRAY)

ITEM	PART NO.	QTY	DESCRIPTION
5	6013-0315	4	NUT #6-32 HEX SMALL PATTERN Z/P
11	6021-1706	4	SCW FLAT-HEAD. CAP-SCREW.. .25-20X.625
15	6680-0004	4	WASHER LOCK INT TOOTH #6 TYPE A Z-PL
21 8527-	C500-0A	1	ANALOG PCB

PARTS IDENTIFICATION, CONT.

SCALE DISPLAY and APSRD (REMOTE DISPLAY)



ITEM	PART NO.	QTY	DESCRIPTION
1 59	30-0146-08	1	CAPACITY LABEL
2	6021-2078	4	SCW PAN-HEAD PHILLIPS #1-32X3/8" THD FORM, SS
3 85	27-0515-08	1	APS KEYPAD
4	8527-C502-0A	1	PCB ASSY APS10 DISPLAY
5	8527-C502-1A	1	PCB ASSY APS15/160 DISPLAY
6	8527-C502-2A	1	PCB ASSY APS30/70/150 DISPLAY
7	8527-C502-3A	1	PCB ASSY APS250 DISPLAY
8	8527-C502-4A	1	PCB ASSY APSRD DISPLAY
9 8527	-D506-08	1	ENCLOSURE FRONT
10 8527	-D507-08	1	ENCLOSURE BACK
11 8527	-D508-08	1	ENCLOSURE MOUNT

DISPLAY EXTENSION CABLE

ITEM	PART NO.	QTY	DESCRIPTION
*	6600-2007	1	CABLE 7FT APS DISPLAY EXTENSION

* Not Shown