

# CAMSHELVING®

KEY FEATURES OF ALL CAMSHELVING SERIES

## Rust and Corrosion Free

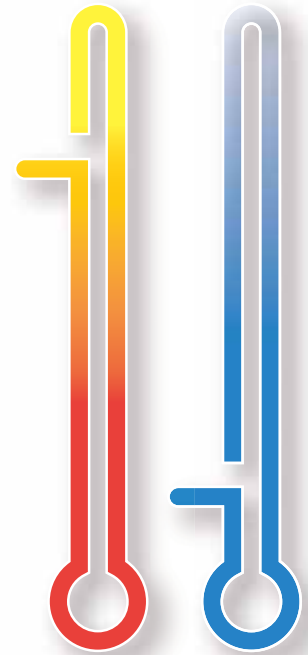
Backed by a lifetime warranty against rust and corrosion, Camshelving storage systems eliminate the inconvenience and costs associated with restoring or replacing degraded shelving. Only Cambro offers Shelving for Life.



## Multi Environment Use

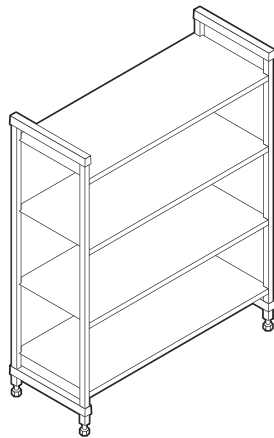
Camshelving storage systems are designed to withstand all extreme storage applications and temperatures — impervious to moisture, chemicals, salt, food acids, and humidity. Camshelving systems can be installed anywhere and will never rust.

**-36°F TO 190°F**

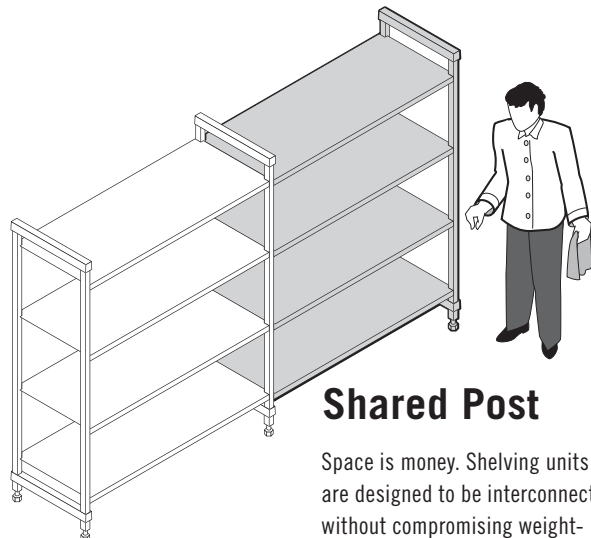


## Maximized Space Utilization

Components have been thoughtfully designed to maximize storage space, even in space-restricted areas.



Starter Unit



Starter + Add-On Unit

## Shared Post

Space is money. Shelving units are designed to be interconnected, without compromising weight-bearing capacity all while maximizing usable storage space.

# PREMIUM series

# ELEMENTS series

New!

# BASICS PLUS series

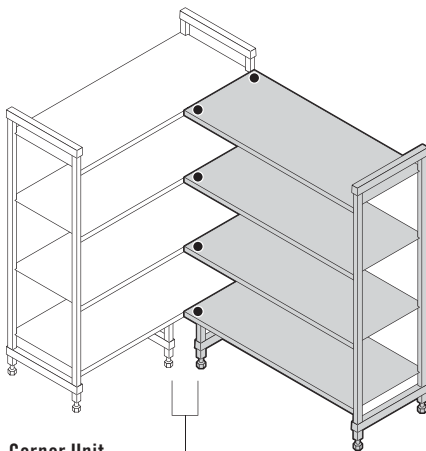
## Easy to Clean

Cleaning shelving shouldn't be a major production. Whether daily or scheduled, cleaning can be done quickly and easily without interrupting storage space or normal, day-to-day operations.

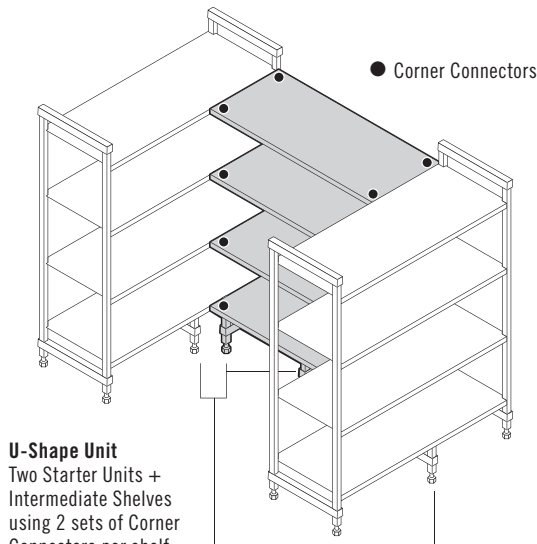


## Easy to Adjust

Each shelf can be easily and independently adjusted to accommodate a variety of storage products and packages as product and storage needs change.



**Corner Unit**  
Starter + Add-On Unit using 1 set of Corner Connectors per shelf and 2 Dunnage Stands.



**U-Shape Unit**  
Two Starter Units + Intermediate Shelves using 2 sets of Corner Connectors per shelf and 4 Dunnage Stands.

## Corner Shelf Space

Convert unusable space into continuous, easy-access storage areas using corner connectors.

# CAMSHELVING® SERIES

## QUICK REFERENCE GUIDE

Cambro offers three rust-free, non-corrosive, hygienic shelving systems that will hold up to the tough demands of commercial foodservice operations. This guide will help you choose the ideal Camshelving system for each storage area in your operation. Only Cambro offers Shelving for Life.



### PREMIUM series

<b>Storage Areas</b>	High-volume foodservice operations with constant loading and off-loading of heavy products. Frequent and/or multiple daily deliveries. <b>Wet Storage</b> - Walk-in Freezers, Coolers, Warewashing Areas <b>Dry Storage</b> - Bulk Foods, Catering Equipment, China/Dishware, Linen, Merchandising.
<b>Recommended For</b>	Hotels and Casinos, Restaurants, Quick-Serve Restaurants, Schools, Colleges and Universities, Healthcare, Military, Convention Centers/Stadiums, Cruise Ships, Caterers and Banquet Centers, Corporate Dining, Convenience and Grocery Stores.
<b>Product Material</b>	Posts and traverses are made from a steel core with smooth polypropylene exterior. Superior strength and durable enough to withstand the heaviest loading demands.
<b>Assembly</b>	Molded in dovetails mean fewer parts, making it the easiest to assemble.
<b>Weight-Bearing Capacity</b> (based on 24" - 48" length)	<b>Stationary Unit:</b> 800 lbs. per shelf, 2000 lbs. per unit. <b>Mobile Unit:</b> 750 lbs. per unit. <b>Corner and U-Shape Unit:</b> 400 lbs. per shelf, 1600 lbs. per unit.
<b>Lifetime Warranty Against Rust &amp; Corrosion</b>	Shelf Plates, Stationary Posts and Traverses
<b>Unit Lengths</b>	24", 30", 36", 42", 48", 54", 60", 72"
<b>Unit Depths</b>	14", 18", 21", 24"
<b>Unit Heights</b>	<b>Stationary:</b> 32", 56", 64", 72", 84" <b>Mobile:</b> 35", 59", 67", 75" (includes casters)
<b>Mobile Units</b>	YES
<b>High Density Storage Floor Track System</b>	YES
<b>Bottom Shelf Dunnage Stand</b>	YES
<b>Shelf Rails</b>	YES
<b>Vertical Drying and Storage Cradle</b> (Trays / Cutting Boards / Lids)	YES
<b>Dome Drying and Storage Cradle</b>	YES
<b>Angled Drying and Storage Cradle</b>	YES
<b>Shelf Divider</b> (Narrow Item Storage)	YES
<b>Shelf Divider Bar</b> (for Food Pans or Food Boxes)	YES
<b>Single Shelf Sheet Pan / Tray Rack</b>	YES
<b>Single Shelf Security Cage</b>	YES
<b>Full Wrap Security Cage</b>	YES

ACCESSORIES



## ELEMENTS series

High-volume foodservice operations with constant loading and off-loading of medium to heavy products. 5-7 deliveries per week.

**Wet Storage** - Walk-in Freezers, Coolers, Warewashing Areas  
**Dry Storage** - Bulk Foods, Catering Equipment, China/Dishware, Linen, Merchandising.

Hotels and Casinos, Restaurants, Quick-Serve Restaurants, Schools, Colleges and Universities, Healthcare, Military, Convention Centers/Stadiums, Cruise Ships, Caterers and Banquet Centers, Corporate Dining, Convenience and Grocery Stores.

Posts and traverses are made from a revolutionary composite material that is light in weight yet strong enough to withstand rigorous loading conditions.

Easy to assemble.

**Stationary Unit:** 800 lbs. per shelf, 2000 lbs. per unit.  
**Mobile Unit:** 750 lbs. per unit.  
**Corner and U-Shape Unit:** 400 lbs. per shelf, 1600 lbs. per unit.

Shelf Plates, Posts and Traverses

24", 30", 36", 42", 48", 54", 60", 72"

14", 18", 21", 24"

**Stationary:** 64", 72", 84"  
**Mobile:** 70", 78" (includes casters)

YES

NO

YES

YES

YES

YES

YES

YES

YES

YES

YES

NO



## BASICS PLUS series

Medium-volume foodservice operations with constant loading and off-loading of light to medium products. 2-5 deliveries per week.

**Wet Storage** - Walk-in Freezers, Coolers, Warewashing Areas  
**Dry Storage** - Bulk Foods, Catering Equipment, China/Dishware, Linen, Merchandising.

Hotels and Casinos, Restaurants, Quick-Serve Restaurants, Schools, Colleges and Universities, Healthcare, Convention Centers/Stadiums, Caterers and Banquet Centers, Corporate Dining, Convenience Stores, Yogurt Shops and Cafés.

Posts and traverses are made from the same revolutionary composite material as Elements Series. Slim design is lighter in weight, yet durable and strong enough to withstand a wide variety of storage conditions.

Easy to assemble.

**Stationary Unit:** 700 lbs. per shelf, 1800 lbs. per unit.  
**Corner and U-Shape Unit:** 300 lbs. per shelf, 1200 lbs. per unit.

Shelf Plates, Posts and Traverses

30", 36", 42", 48", 54", 60"

18", 21", 24"

**Stationary:** 64", 72", 84"

NO

NO

YES

NO

NO

NO

NO

YES

NO

YES

NO

NO