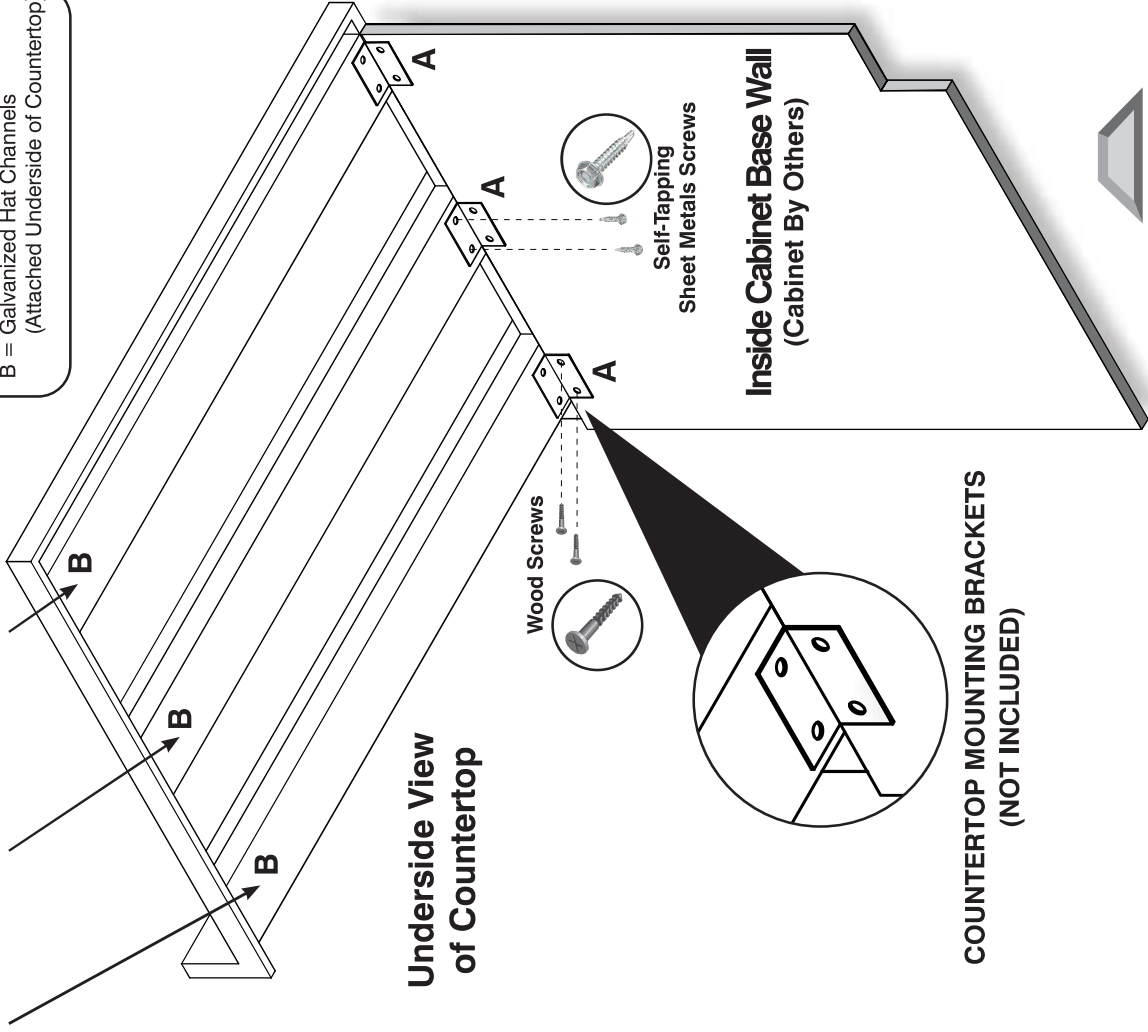


INSTALLATION INSTRUCTIONS FOR STAINLESS STEEL COUNTERTOPS

Galvanized Hat Channels

(3 channels are supplied with 30" wide countertops as shown.
2 Hat Channels Are Supplied With 25" Countertops)

A = Angle Bracket (Provided)
B = Galvanized Hat Channels
(Attached Underside of Countertop)



TOOLS RECOMMENDED:

- Screw Gun
- Drill Bits
- Self-Tapping Sheet Metal Screws (Not Included)
- Wood Screws (Not Included)

STEP 1: Place Countertop onto Cabinet Base. Make sure the Countertop is level and in correct position.

STEP 2: Secure to cabinet base with $\frac{3}{4}$ " x $\frac{3}{8}$ " self tapping sheet metal screws (not included) through the cabinet framing members or 2" x 2" x 3" metal angles (not included). Screws should be run into the support channels and never into the underside of the countertop.

**IMPORTANT NOTE: SCREWS ARE TO BE AFFIXED TO HAT CHANNELS ONLY!
NOT DIRECTLY TO UNDERSIDE OF COUNTERTOP.**

For Additional Assistance,
Please call Customer Service at:
1-800-645-3166

