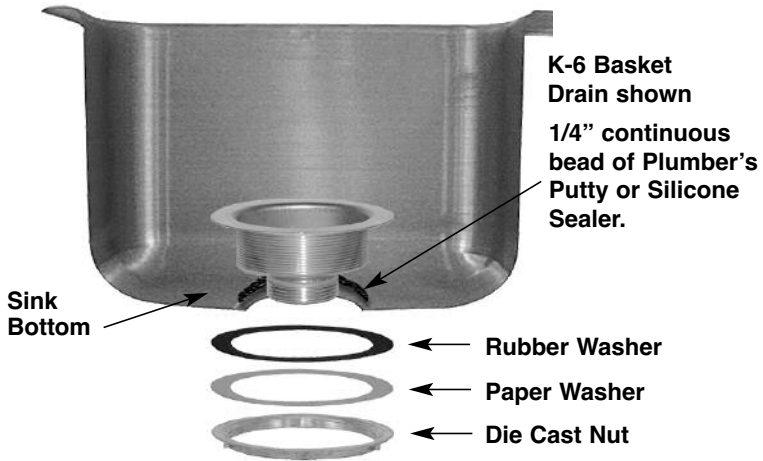
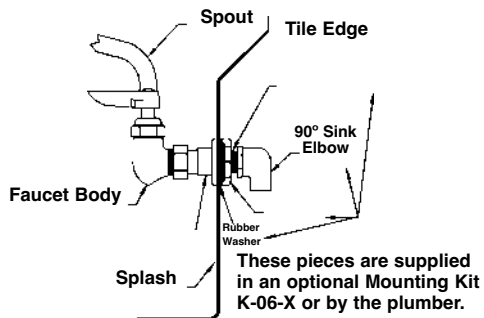
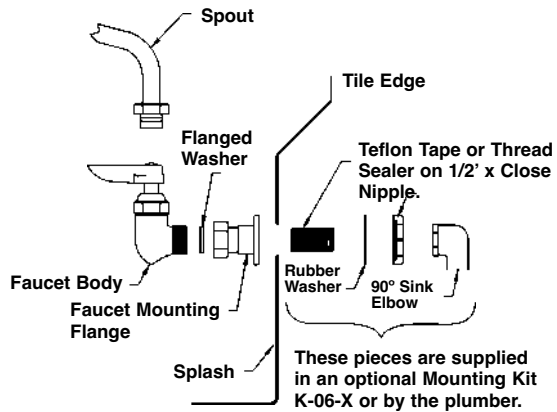


STEP 4

Place Sink upright and install drains and faucet. Your knowledgeable plumbing contractor is responsible for local code requirements.



OPTION: May be furnished with remote operated lever drains or specialty faucets.

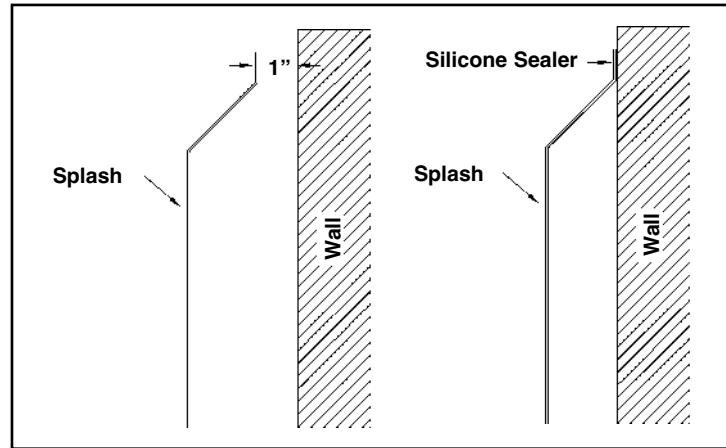


STEP 5

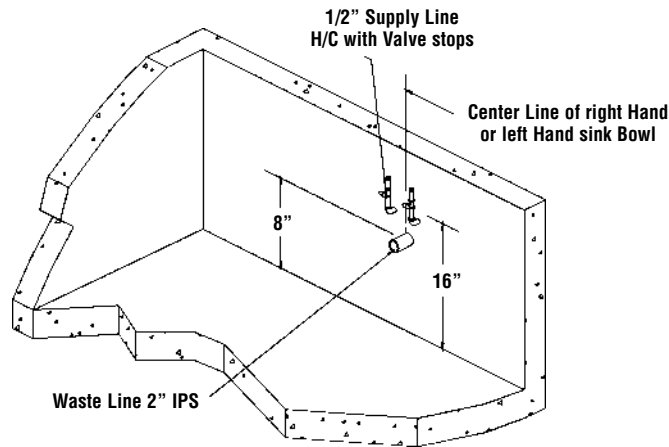
Set Unit in place and level by means of adjustable bullet feet.

STEP 6

NSF Installations require Sink Unit to be sealed to wall or installed at least 1" off the wall.



Suggested Rough Plumbing Dimensions



© ADVANCE TABCO, MAY 2013



INSTALLATION INSTRUCTIONS for REGALINE SINKS



**CHECK FOR CONCEALED DAMAGE
FILE CLAIM WITH DELIVERING FREIGHT CARRIER**

Sinks manufactured by **ADVANCE TABCO®** are designed and constructed for the use of liquid containment. Suggested applications include Food Preparation, Manufacturing, Cooking, Laboratory and Service and the like. **ADVANCE TABCO®** does not recommend product use for activities employing harsh and active chemicals. Please consult factory regarding unusual applications.

THIS CARTON CONTAINS:

- SINK UNIT
- LEG ASSEMBLY
- DRAINS (1 for each sink bowl)
- CROSS BRACING (940 Series only)

STEP 1a.

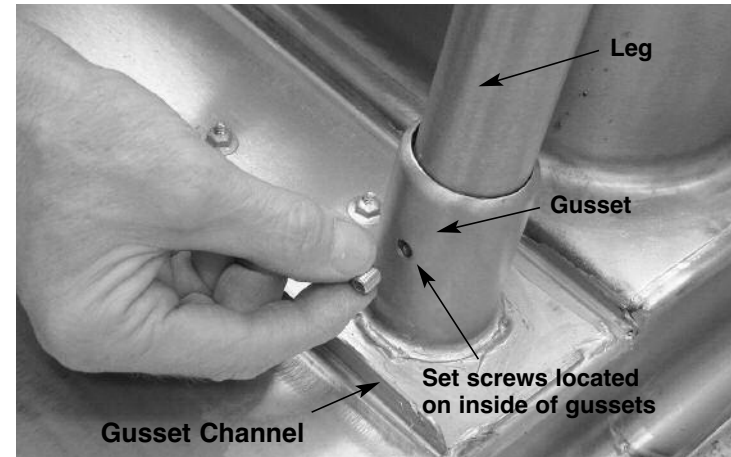
Remove contents of carton/crate and position sink as shown (Upside down). Install leg assembly into gussets at each end.



NOTE: 940 Series Sinks - Slide cross-brace casting onto leg set prior to installing leg set into gussets.

STEP 1b.

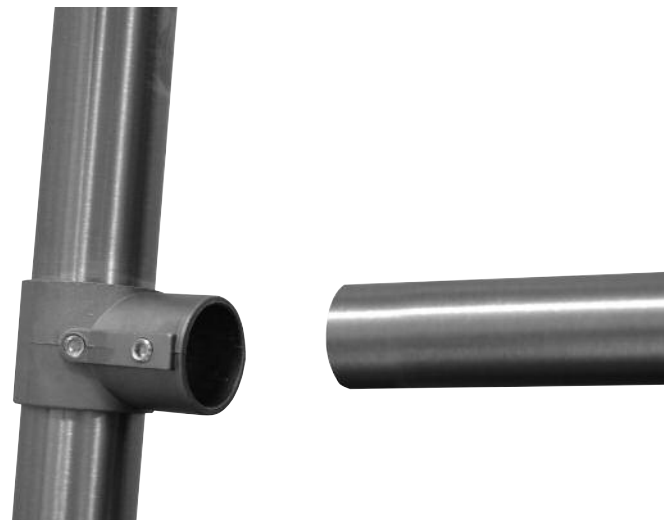
Secure leg set with supplied set screws.



Underside of Drainboard

STEP 2

940 Series Sinks Only - Install 1-1/4" diameter stainless steel cross brace into castings on one leg set. Tighten set screw.



On opposing leg set, turn cross-brace casting slightly to align 1-1/4" diameter cross-brace and tighten set screw.



Position front and rear cross-braces to desired heights and tighten all set screws.

NSF Installations require all setscrews filled with an approved Silicone Sealer.

940 Series Only

NOTE: Install legs with lower (Cross Brace) hole at front of sink - allowing adequate clearance for Lever Handle (where required).



Head of socket and joint (Cross Brace) to be filled in the field at the time of installation using NSF approved silicone sealer (both ends).