

PLEASE READ**VERY IMPORTANT SAFETY INSTRUCTIONS FOR TABLECRAFT PRODUCTS KENKUT II® PLASTIC FILM AND FOIL DISPENSERS****I PREPARING THE KENKUT II® SAFETY DISPENSER FOR USE:**

1. Secure suction cups with screws and lock washers provided to the bottom of dispenser. Keep them tight.
2. Place the roll of plastic wrap or foil **with the plastic end spindles** that come with each new roll. Film or foil should dispense from topside of roll.
See Diagram #1A

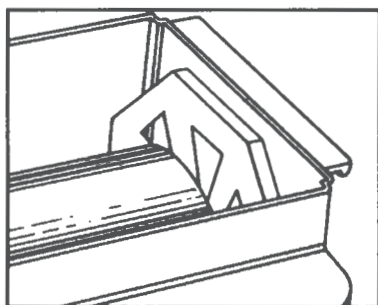


Diagram #1A

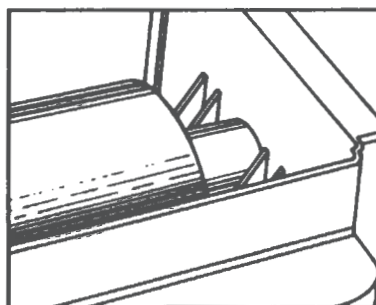


Diagram #1B

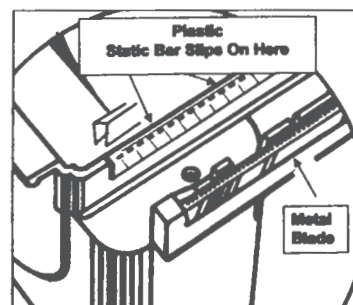


Diagram #1C

NOTE: If your brand of film or foil does not come with end spindles or does not fit with the spindles, please use enclosed dowel rod.

3. Place the Static Bar on the wall of the **KENKUT II®** between the blade area and the inside of the dispenser as shown in **Diagram #1C**. The Static Bar will prevent static pull back when using plastic film.
4. Carefully place metal blade onto the front wall of the **KENKUT II®** as shown.
NOTE: The toothless blade does not go directly into or onto the back wall of the blade slot. **Study Diagram #2A and #2B**

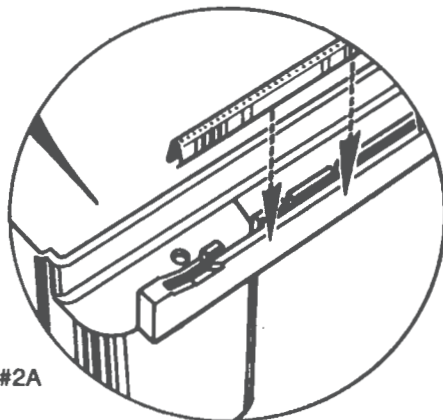


Diagram #2A

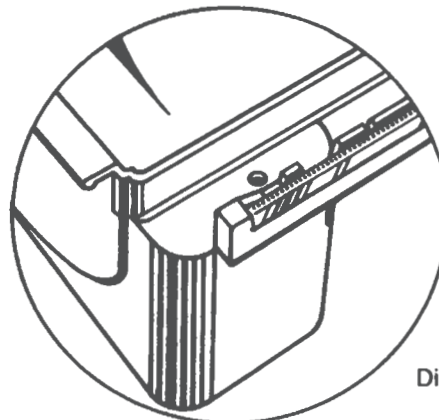


Diagram #2B

- Replacement blades are available through your dealer or call 1-800-323-8321

COMPLETE PRODUCT SUPPORT AT WWW.KENKUT.COM

5. Pull the leading edge of the roll across the blade. See **Diagram 3A**. Close the **KENKUT II®** lid. You are now ready to use the **KENKUT II®**. **WHEN TEARING PLASTIC FILM/FOIL THE LID MUST BE CLOSED.** See **Diagram #3B**

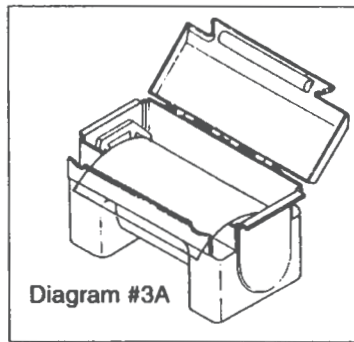


Diagram #3A

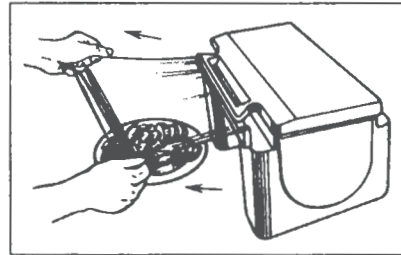


Diagram #3B

II HOW TO USE THE **KENKUT II®** SAFETY DISPENSER:

1. Grasp the film/foil at both end corners as shown in **Diagram #4A**. While lifting up slightly, pull out to desired length (at least 12"). See **Diagram #4B**.
NOTE: The **KENKUT II®** should be operated at a normal table height at least waist high or wall mounted (see instructions page 3).

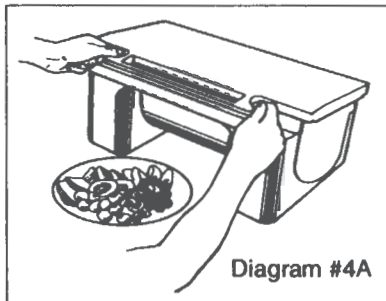


Diagram #4A

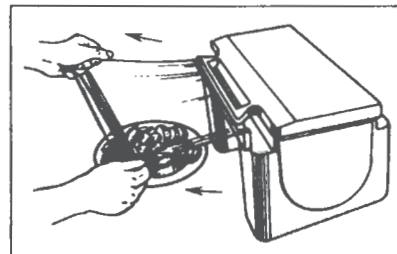


Diagram #4B

2. With a downward motion, tear film/foil as you would with the standard car board cutter box; right to left or left to right. See **Diagram #5**.

With plastic film you may also tear both ends toward the center, grasping film as shown or with the "karate chop" method.

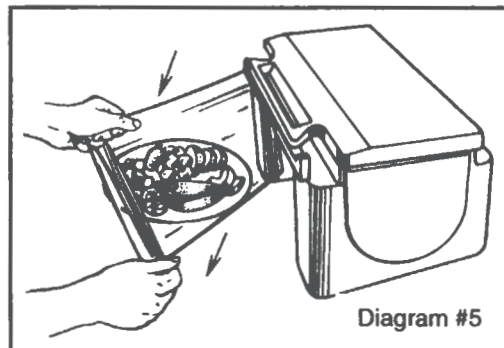


Diagram #5

III ADDITIONAL INFORMATION FOR THE CARE AND MAINTENANCE OF THE KENKUT II® SAFETY DISPENSER:

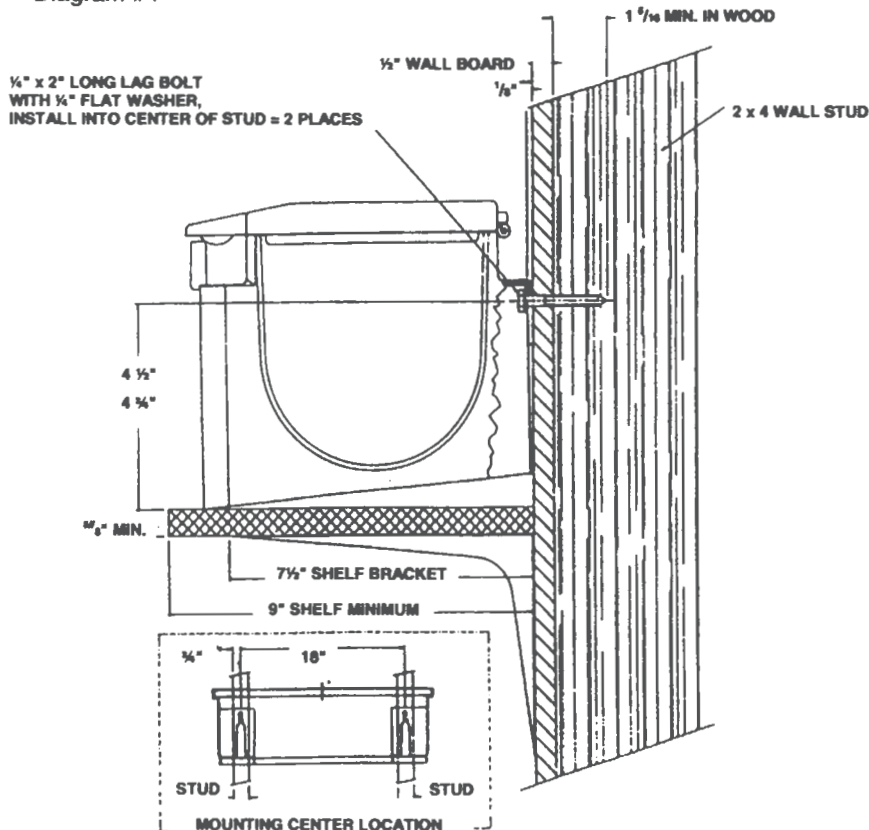
1. The KENKUT holds up to 3000 foot rolls x 12", 18" and 24" widths.
2. Keep suction cups tight.
3. Do not leave the KENKUT II® near or under heat source such as heat lamps, etc.
4. Keep the KENKUT II® clean by turning upside down on a dish rack and run through dishwasher. **Remove blade when washing for safe handling.**
5. Replace blade if teeth become bent or dull.
6. Use handles on each side of the KENKUT II® when transporting.
7. DO NOT USE ANY BLADES OTHER THAN **TABLECRAFT** PART #'s – 12" (RB4), 18" (RB2), 24" (RB6).
8. **WALL MOUNTING INSTRUCTIONS BELOW.**

IV GUIDELINES FOR WALL MOUNTING THE KENKUT II® SAFETY DISPENSER IN CONJUNCTION WITH STABLE SHELVING:

NOTE: Wall mounting of the 12", 18" and 24" KENKUT II® Safety Dispensers require pre-installation of a mounting board. The mounting board should be securely fastened to wall studs with four 3" wood screws. Refer to **Diagram #4** for complete wall mounting instructions.

RECOMMENDED MOUNTING METHOD

Diagram #4



COMPLETE PRODUCT SUPPORT AT WWW.KENKUT.COM