

BACKYARD PRO

SIDE SHELF ASSEMBLY INSTRUCTIONS

FOR LP GAS DELUXE COMMERCIAL OUTDOOR GRILLS



Compatible with Base Grills #554C3H830 LP and #554C3H860 LP

03/2016

SAVE THESE INSTRUCTIONS FOR FUTURE REFERENCE. IF YOU ARE ASSEMBLING THIS UNIT FOR SOMEONE ELSE, GIVE THIS MANUAL TO HIM OR HER TO SAVE FOR FUTURE REFERENCE.

ASSEMBLY OF THIS UNIT REQUIRES 2 ADULTS.

Shelf Assembly Instructions


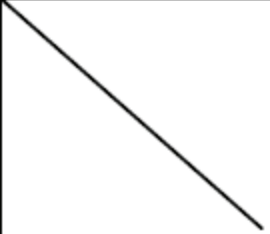
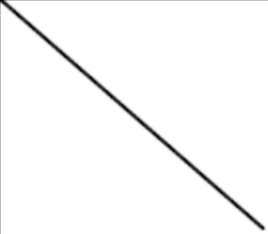

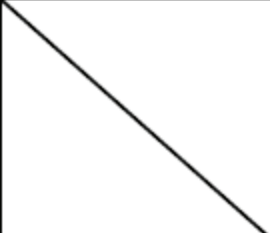
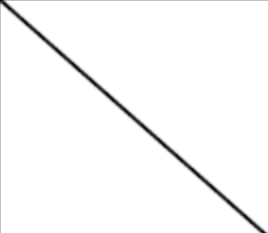
SHELF ASSEMBLY

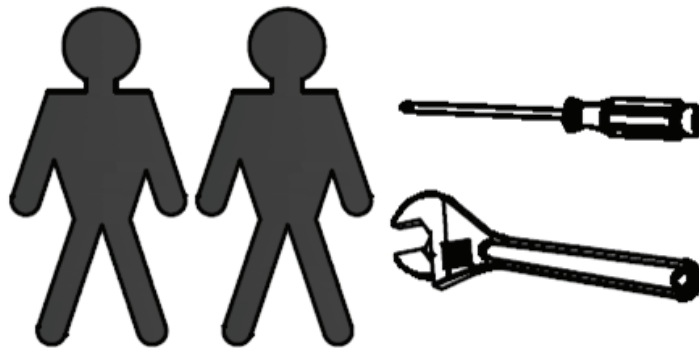
Please note:

Shelves are packaged individually for customer convenience and shipping convenience.

The assembly require 2 adults.

Parts List and Hardware

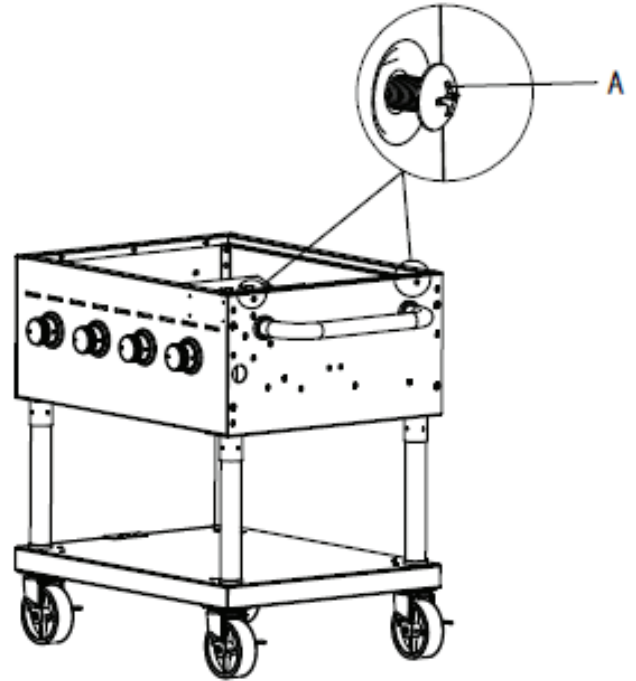
① *2 		
A M6-12*12 		



Assembly Instructions

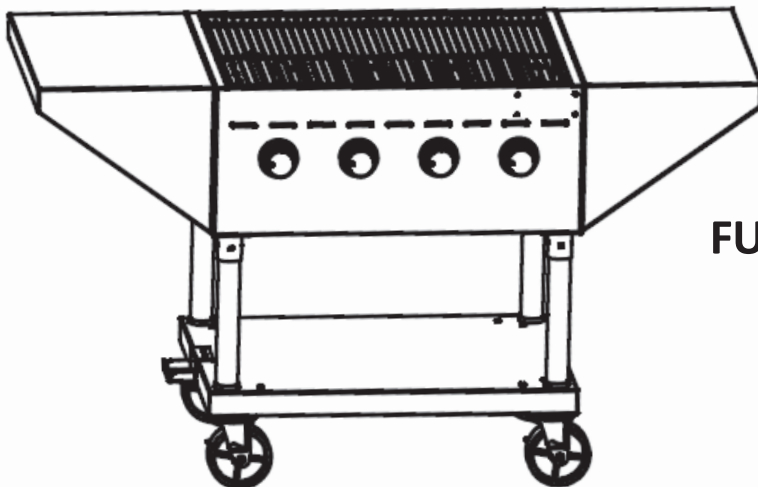
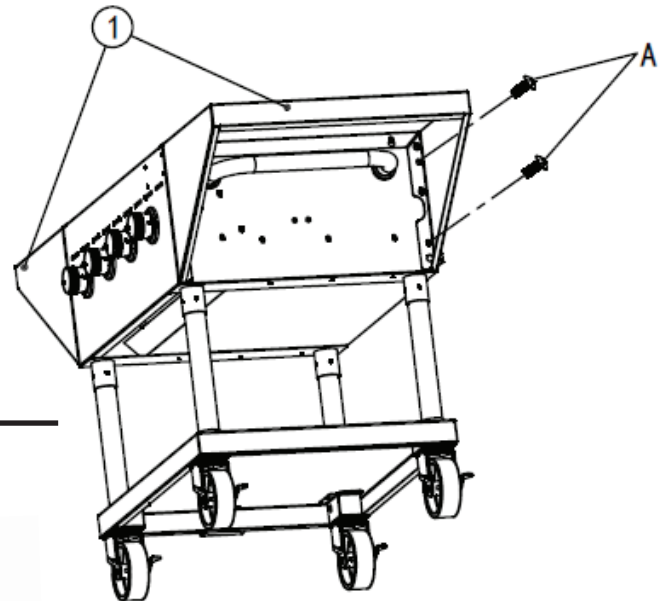
STEP 1

Pre install BOLT A—4 PCS on the grill body, please don't tighten it now.



STEP 2

Install the side shelves (1) to the grill body using BOLT A—8 PCS, then tighten all the BOLT A.



FULLY ASSEMBLED