

BACKYARD PRO

LP GAS 30" DELUXE COMMERCIAL OUTDOOR GRILL ASSEMBLY INSTRUCTIONS



#554C3H830DELLP

06/2022

SAVE THESE INSTRUCTIONS FOR FUTURE REFERENCE. IF YOU ARE ASSEMBLING THIS UNIT FOR SOMEONE ELSE, GIVE THIS MANUAL TO HIM OR HER TO SAVE FOR FUTURE REFERENCE.

ASSEMBLY OF THIS UNIT REQUIRES 2 ADULTS.



WARNING

















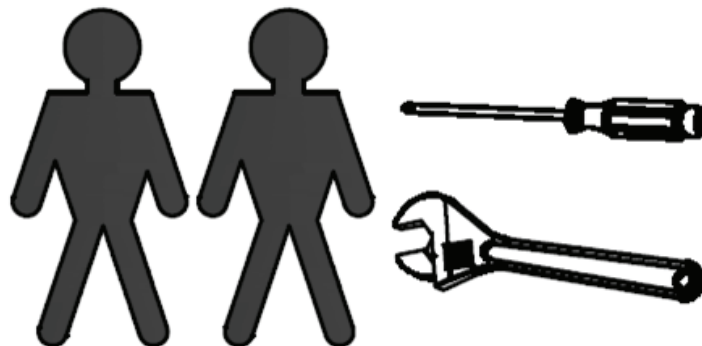
CALIFORNIA PROPOSITION 65

1. Combustible by-products produced when using this product contains chemicals known to the State of California to cause cancer, birth defects, or other reproductive harm.
2. This product contains chemicals, including lead and lead compounds, known to the State of California to cause cancer, birth defects or other reproductive harm.

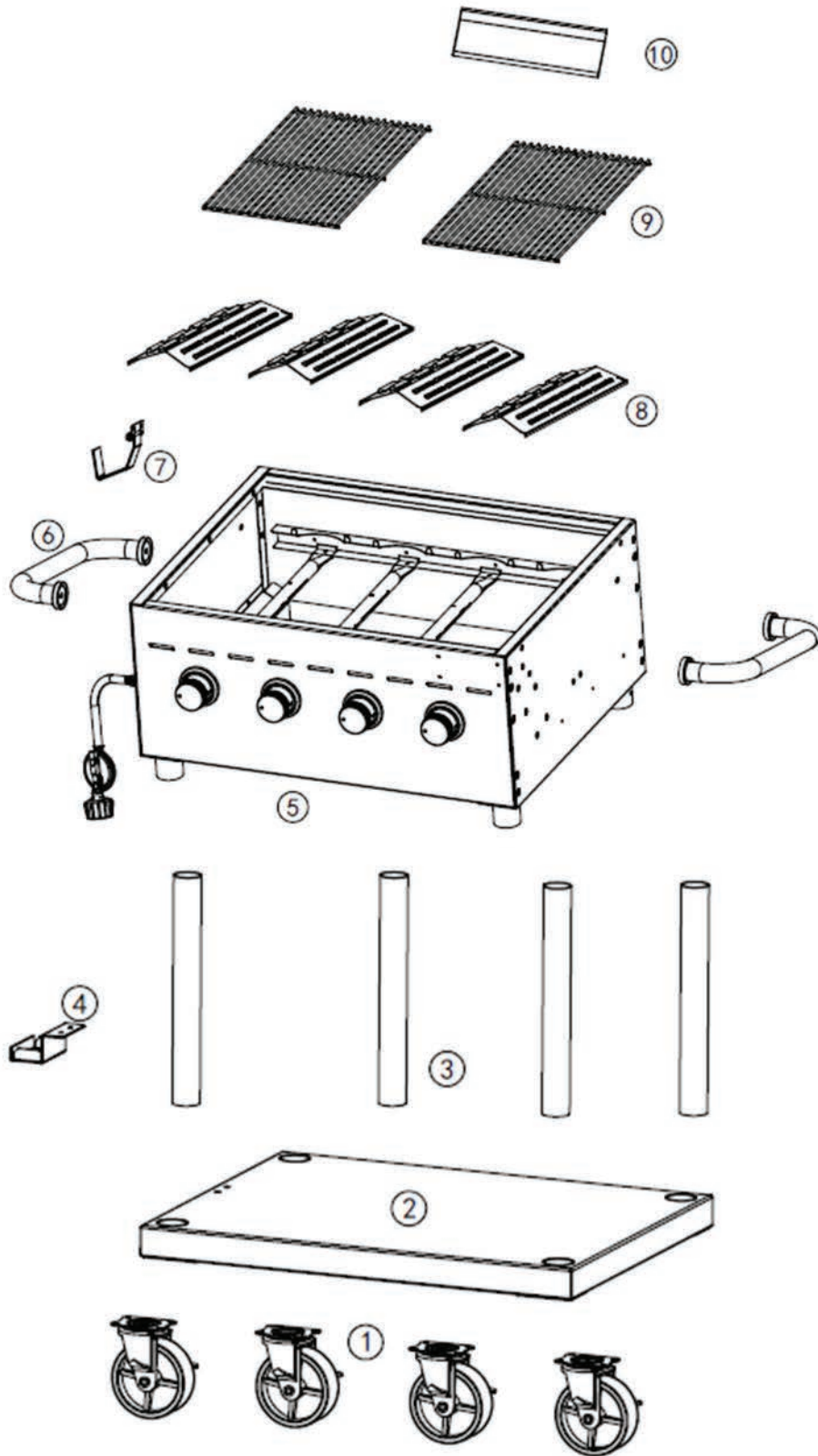
Wash your hands after handling this product.

Parts List and Hardware

① *4 	② *1 	③ *1 
④ *4 	⑤ *1 	⑥ *2 
⑦ *1 	⑧ *4 	⑨ *2 
⑩ *1 		
A M6-12*24  	B M6-16*8  	



Exploded Parts View

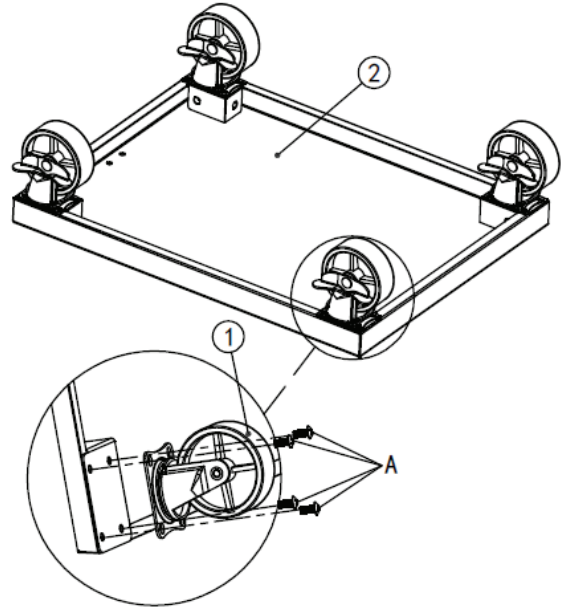


Assembly Instructions

STEP 1

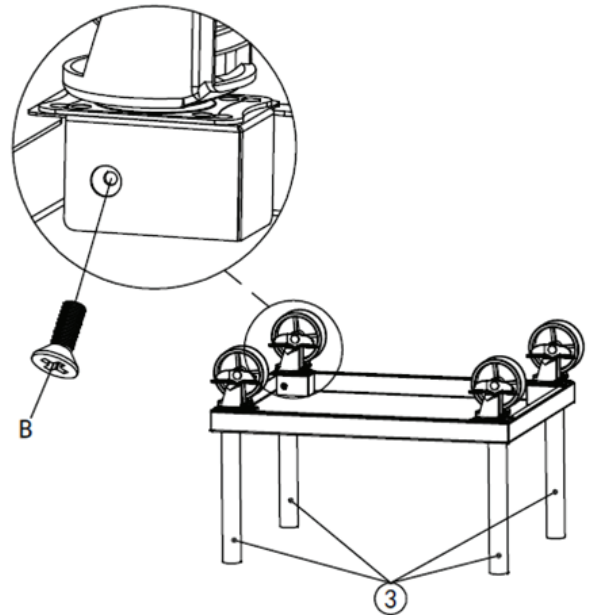
Install casters (1) to the under shelf (2) and using BOLT A--16 PCS.

Set brakes on for safe assembly.



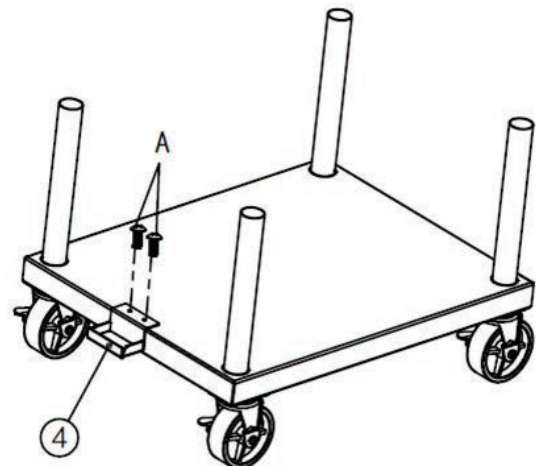
STEP 2

Insert the legs (3) into the sockets using BOLT B—4 PCS, and tighten the legs.



STEP 3

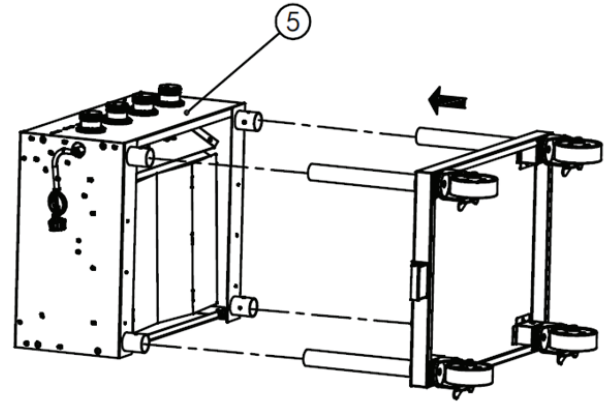
Attach propane holder (4) to the under shelf using BOLT A—2 PCS.



Assembly Instructions

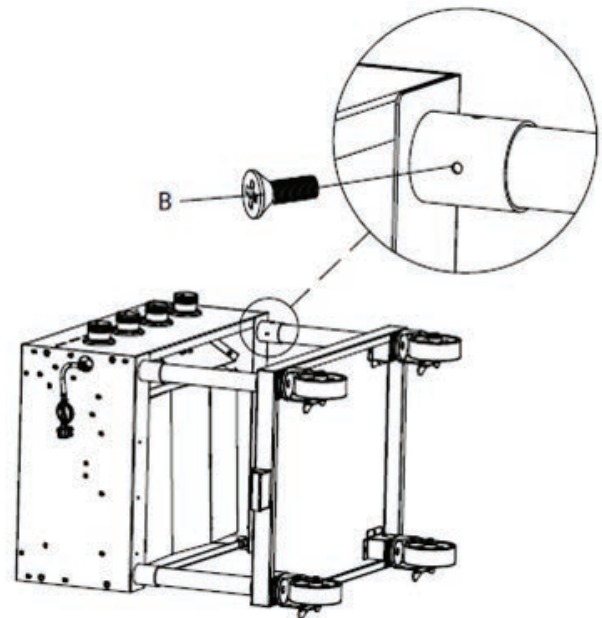
STEP 4

Set the grill section (5) on to the legs and under shelf.



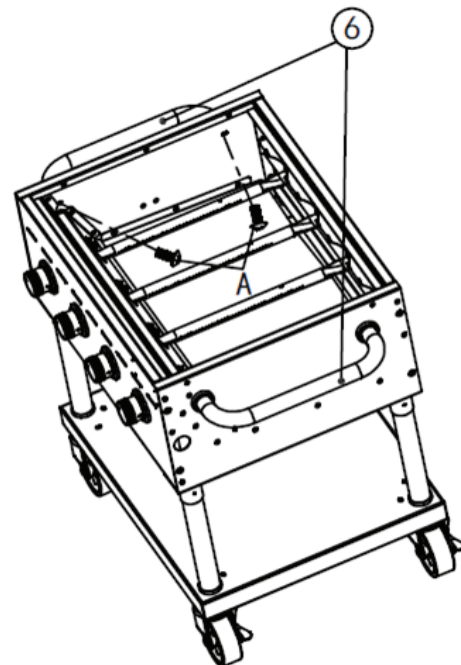
STEP 5

Tighten the legs using BOLT B----4 PCS. So the grill and legs are secure.



STEP 6

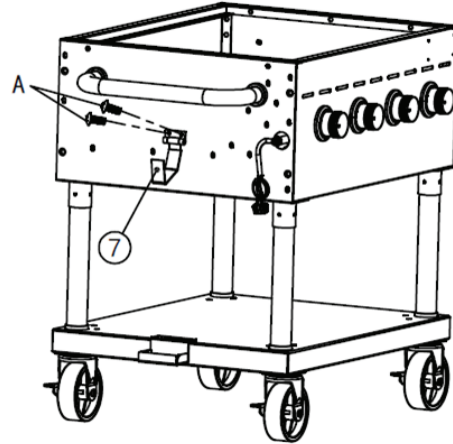
Attach handles (6) to each side, using BOLT A- 4 PCS.



Assembly Instructions

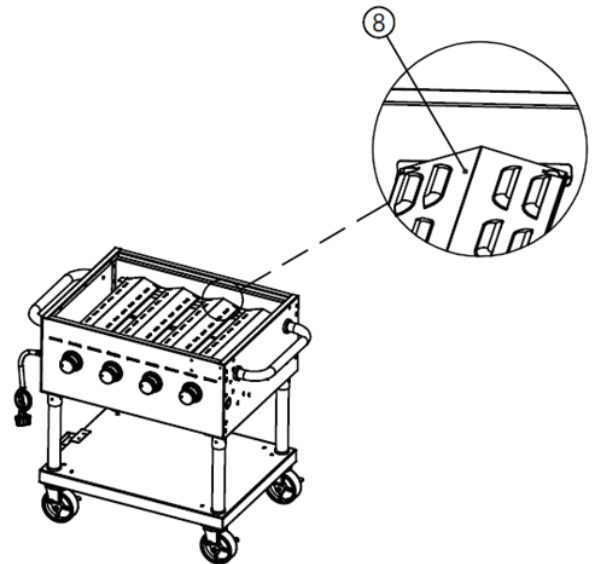
STEP 7

Attach top propane tank holder (7) to the grill using BOLT A--- 2 PCS.



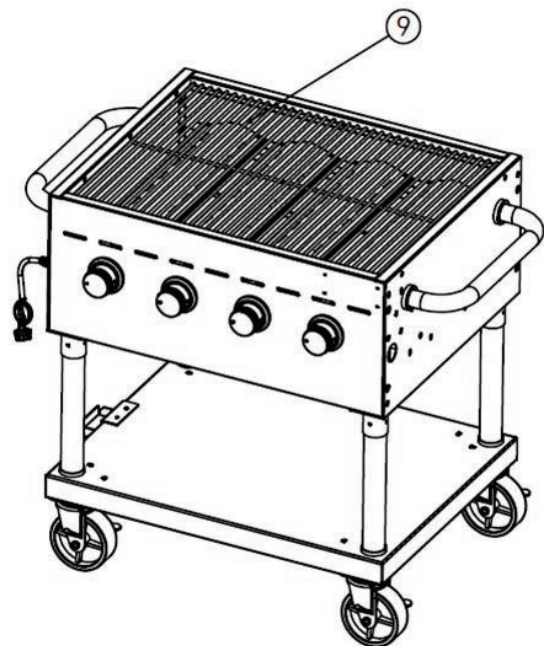
STEP 8

Place the burner covers (8) into their position.



STEP 9

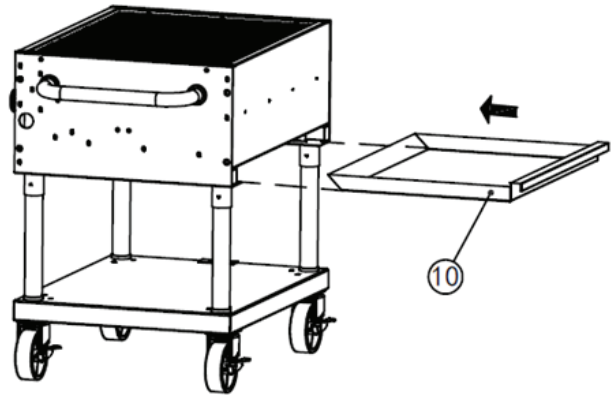
Add grates (9) to the top of the grill.



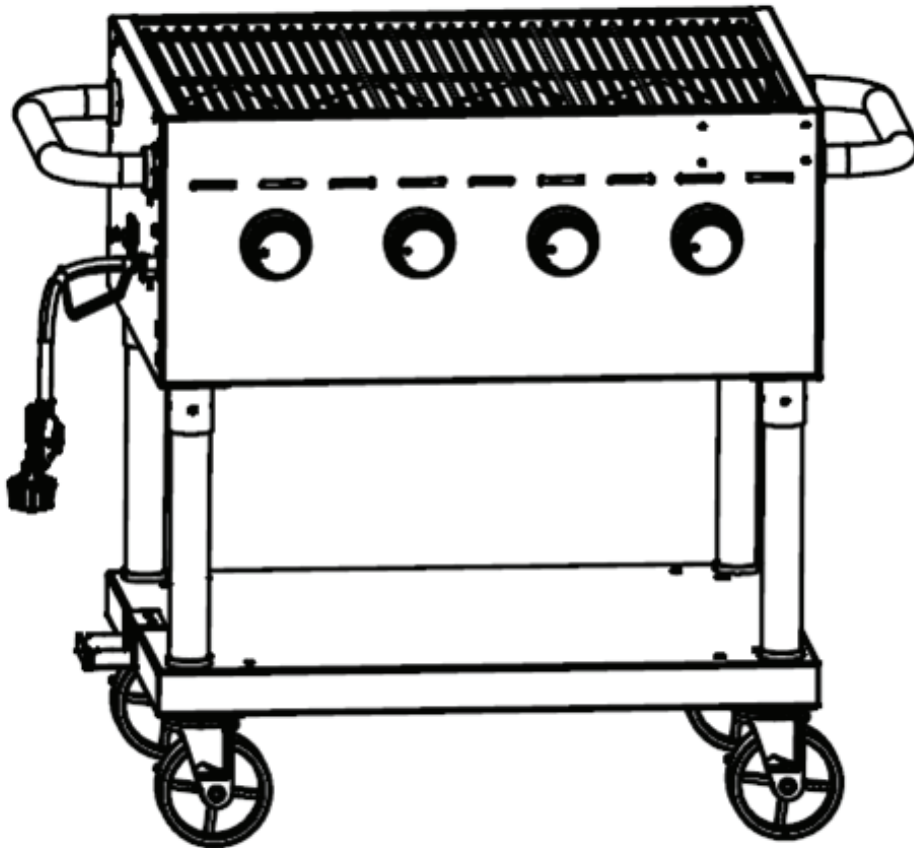
Assembly Instructions

STEP 10

Insert grease tray (10) in the back of the grill.
Then the grill is fully assembled.



FULLY ASSEMBLED



Dome Lid Assembly Instructions




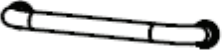









DOME LID ASSEMBLY

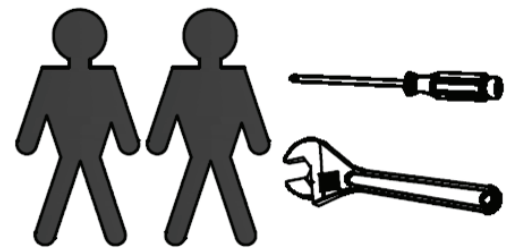
Please note:

Lids are packaged individually for customer convenience and shipping convenience.

The assembly require 2 adults.

Parts List and Hardware

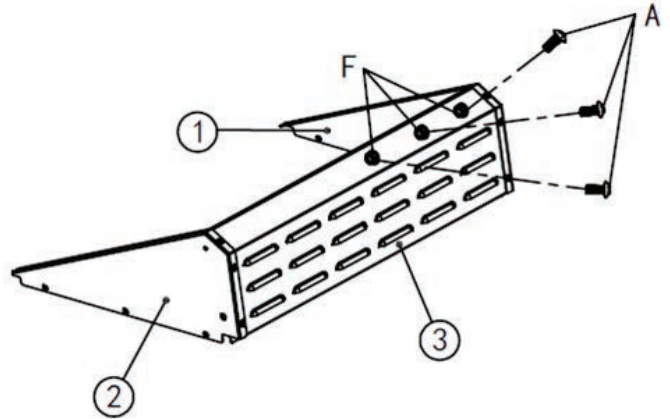
① *1 	② *1 	③ *1 
④ *1 	⑤ *1 	⑥ *1 
A M6-12*14 	B *2 	C M10*2 
D M6-20*2 	E *2 	F M6*6 
G 16-1.5*2 		



Assembly Instructions

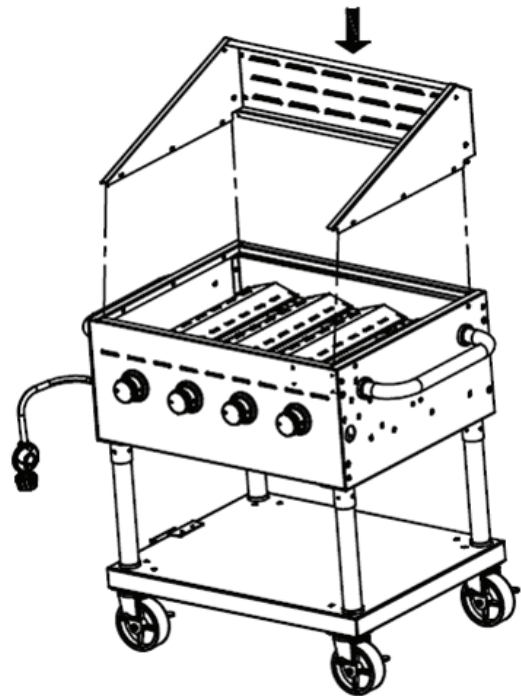
STEP 1

Install back panel (3) to left side panel (2) and right side panel (1) using BOLT A –6 PCS and NUT F—6 PCS.



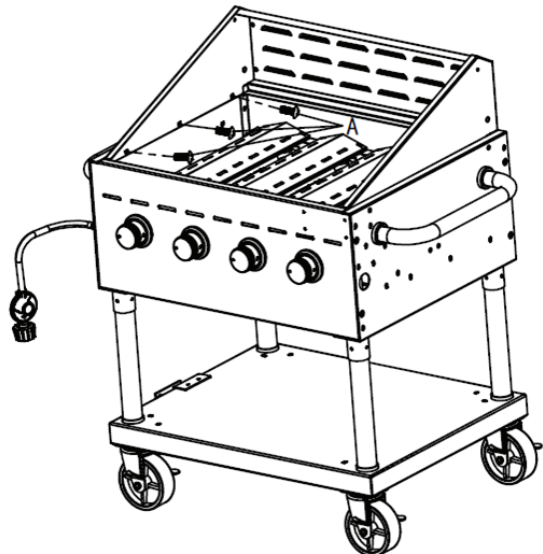
STEP 2

Put the pre-assembled part to the grill like shown in the picture.



STEP 3

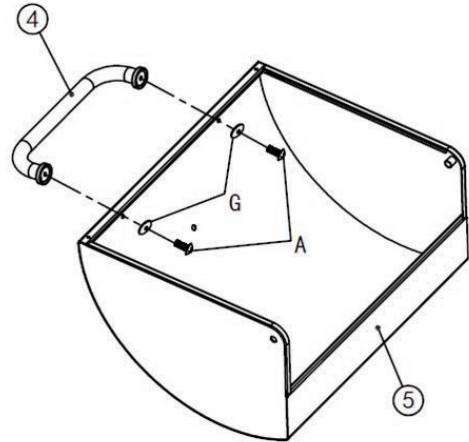
Tighten the window screen to the grill body using BOLT A— 6 PCS.



Assembly Instructions

STEP 4

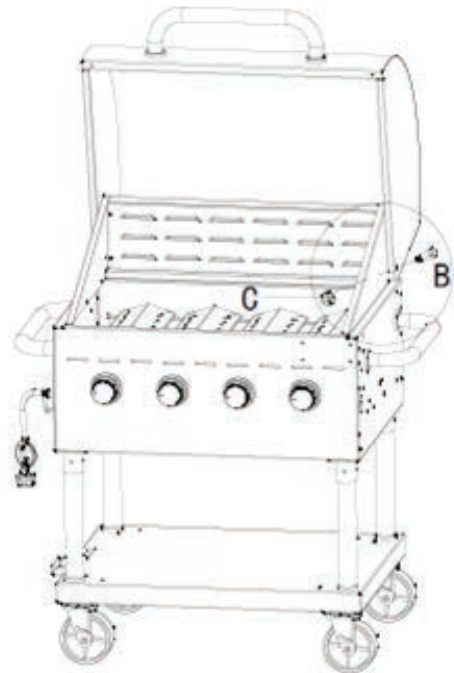
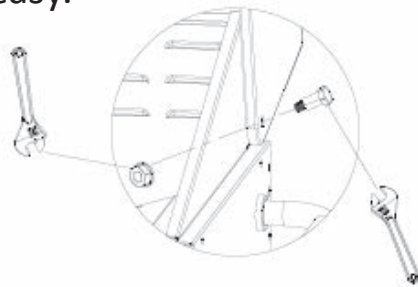
Install the lid handle (4) to the lid (5) using BOLT A—2 PCS and G—2 PCS.



STEP 5

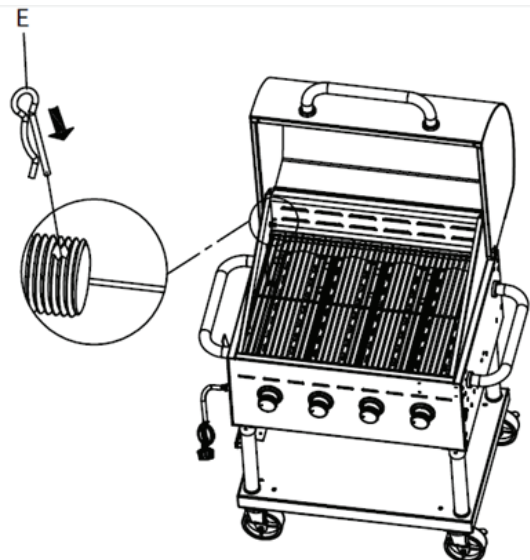
Put lid to the grill body and tightened by BOLT B-2 PCS and NUT C—2 PCS.

Please note, when install the lid, first, use a wrench to fix the BOLT B from outside, then Install the NUT C from inside, from this way, you can assemble the lid easy.



STEP 6

Insert pin E—2 PCS inside of the grill to BOLT- B. Like shown in the picture.

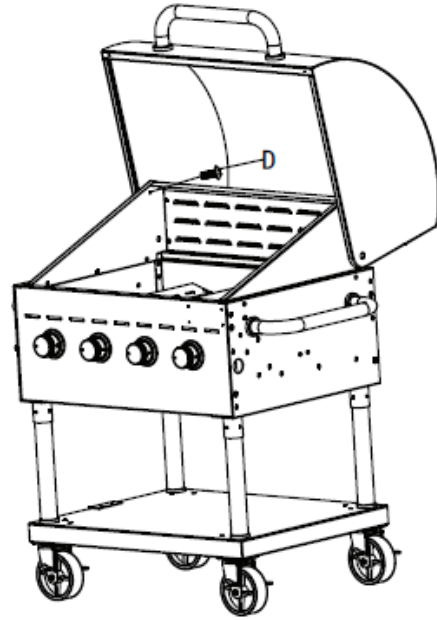


Assembly Instructions

STEP 7

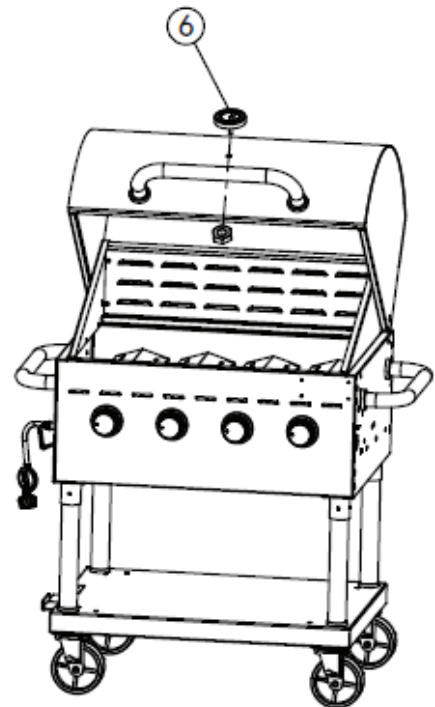
Attach the BOLT D from inside panel to outside.

BOLT will help to limit the position of lid when opened.
To ensure the lid can't be tip off, and keep the two lids in the same level.



STEP 8

Install Thermometer (6) to both lids.



FULLY ASSEMBLED

