



# TECHNICAL INFORMATION

## Deep Ledge™ Series Utility Cart

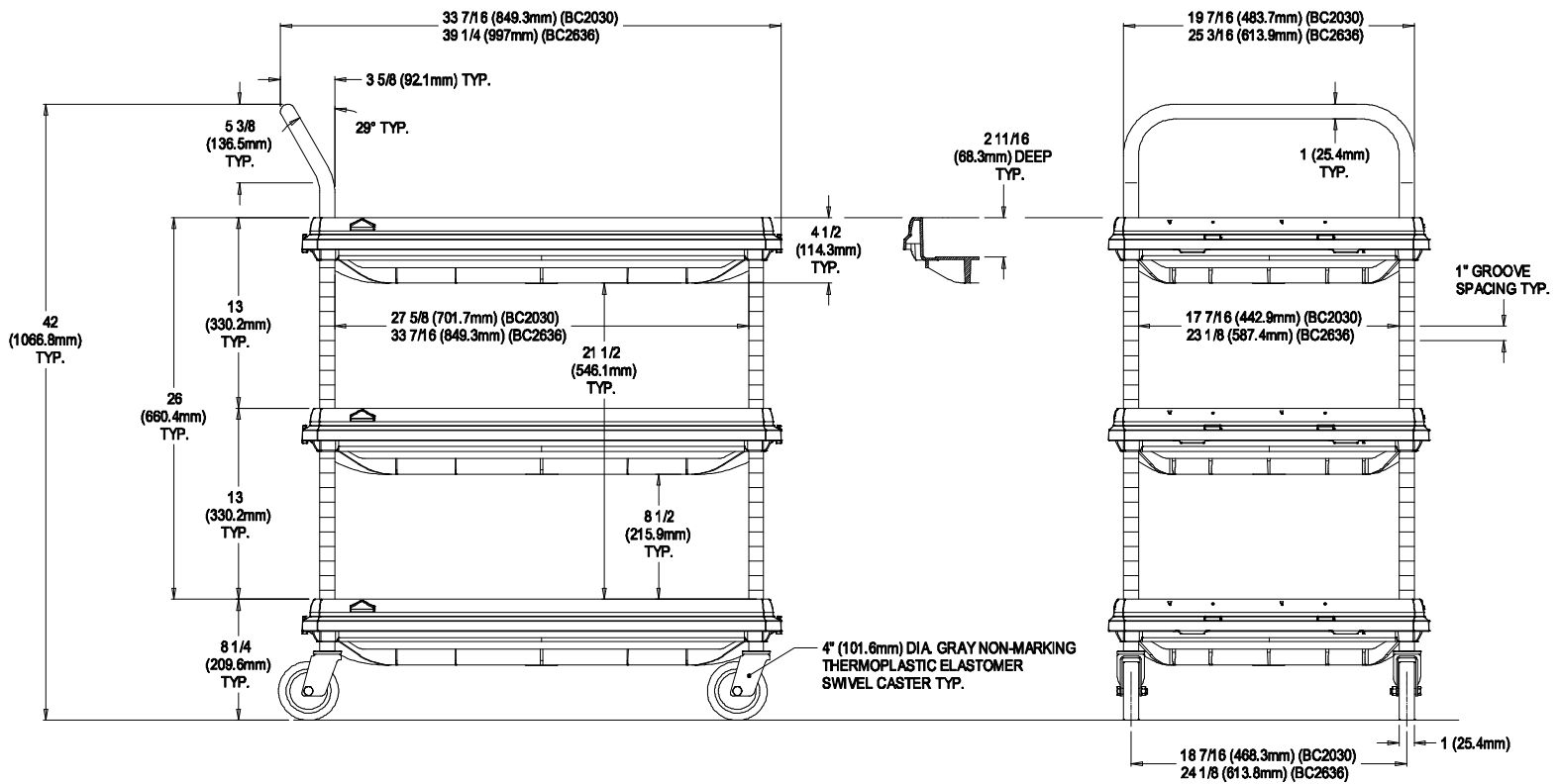
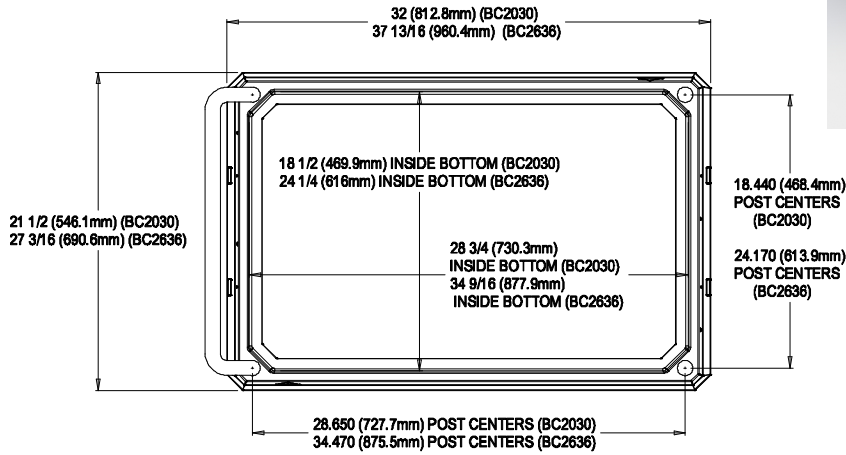
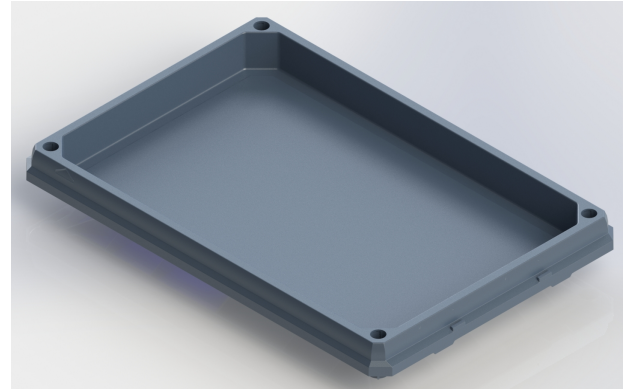




<b>Table of Contents</b>	
<b>Item/Subject</b>	<b>Page</b>
BC2030/BC2636 Cart Dimensional Data	3
BC2030/BC2636 Accessories Dimensional Data	4
Specifications - Accessories	5
Compatibility Information – Tote Boxes	6
Load Ratings/Application Data	7
Replacement Parts	8
Chemical Resistance Data	9-12
Cleaning Guidelines	13
Regulatory Information	14
Misc. Bio/Flammability Information	15



## BC2030/2636 Cart Dimensions

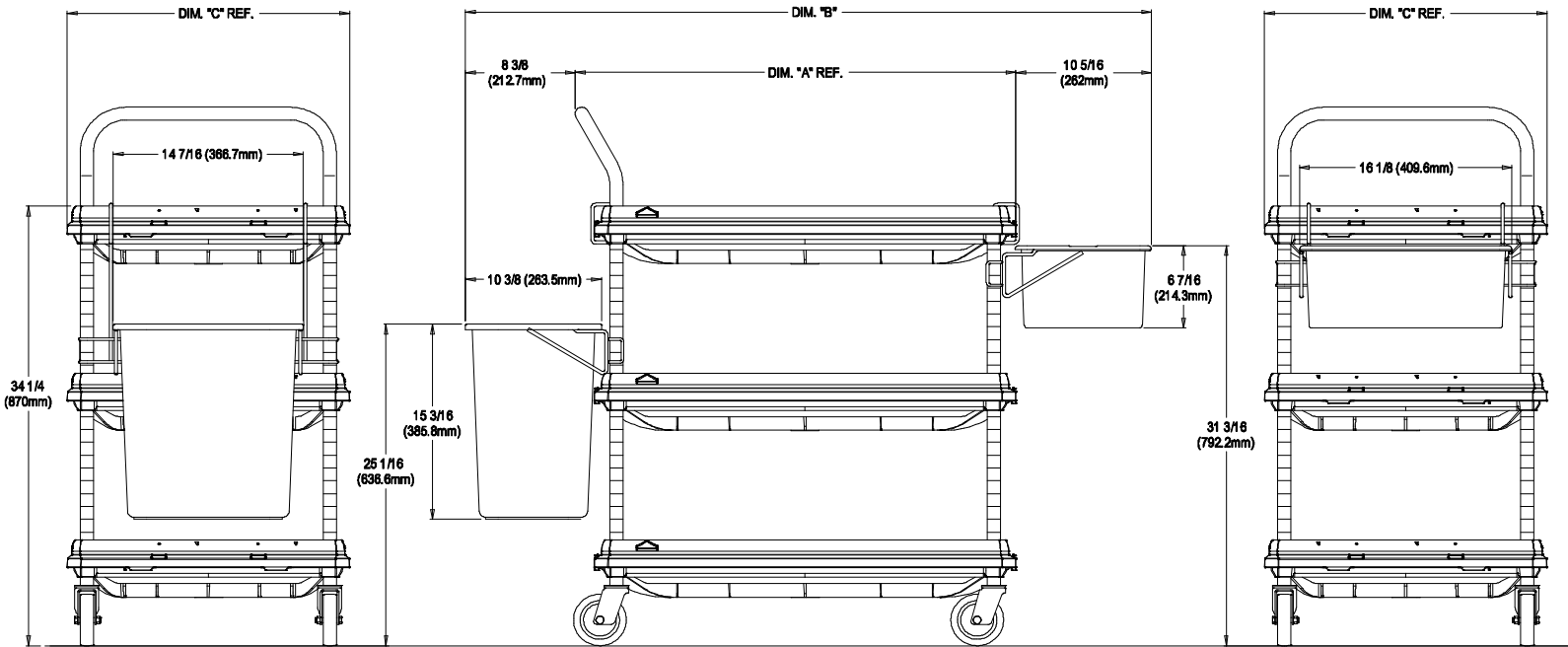


**BC2030 Shelf Spill Containment Capacity = 6 Gallons (22.7 liters)**

**BC2636 Shelf Spill Containment Capacity = 9.75 Gallons (36.9 liters)**



## BC2030/BC2636 Cart Accessory Dimensions



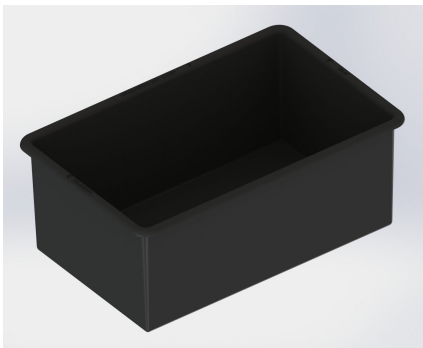
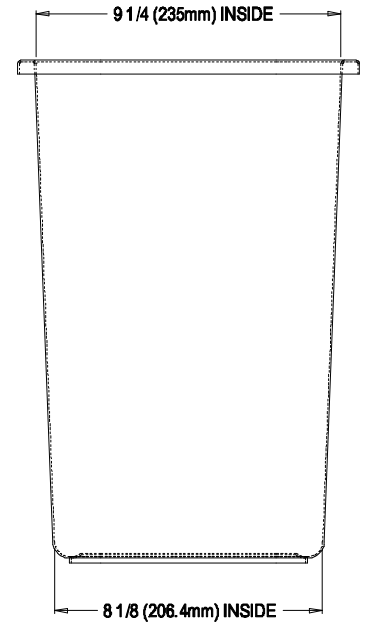
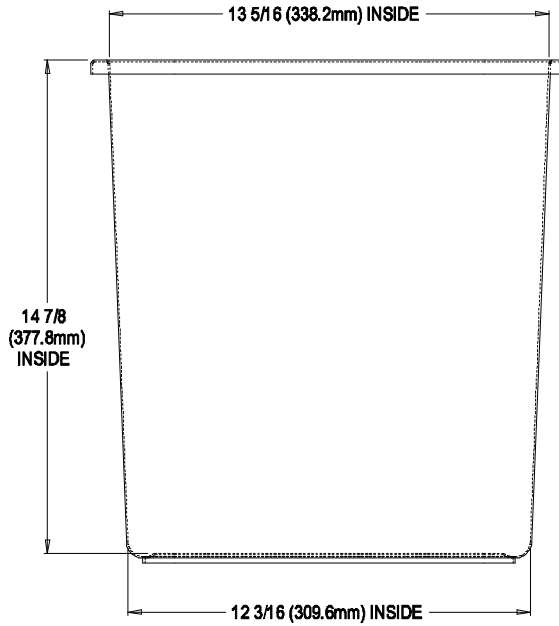
Model No.	Dim. "A"	Dim. "B"	Dim. "C"
BC2030	33-7/16" (849.3mm)	52-1/8" (1324mm)	21-1/2" (546.1mm)
BC2636	39-1/4" (997mm)	57-15/16" (1471.6mm)	27-3/16" (690.6mm)



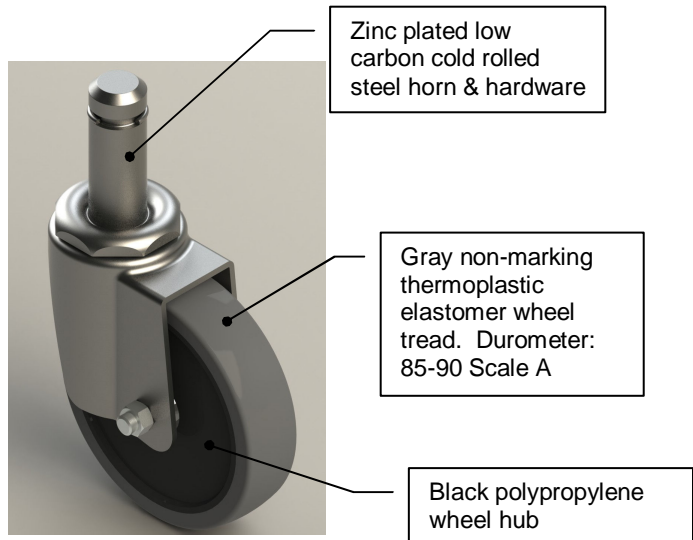
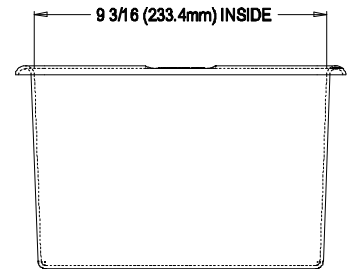
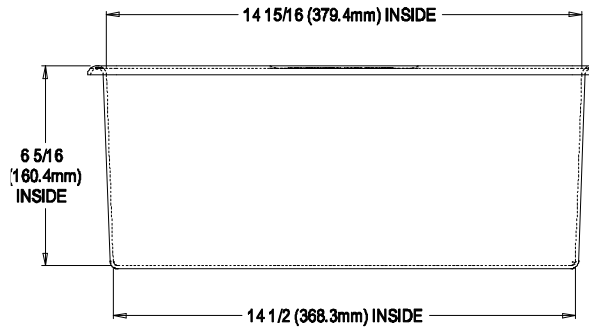
## Deep Ledge™ Cart Accessories



**9 Gallon (34.1 Liter) Waste Basket**  
**25 lb. (11.3kg.) Wgt. Capacity**  
**Material: Injection Molded High Density Polyethylene**



**4 Gallon (15.1 Liter) Utility Bin**  
**25 lb. (11.3kg. Wgt. Capacity**  
**Material: Injection Molded ABS**

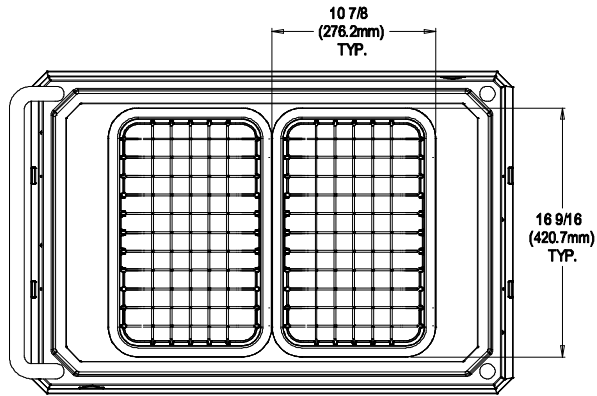


**RPBC4M-4 Caster**  
**(BC2030 & BC2636 Carts)**

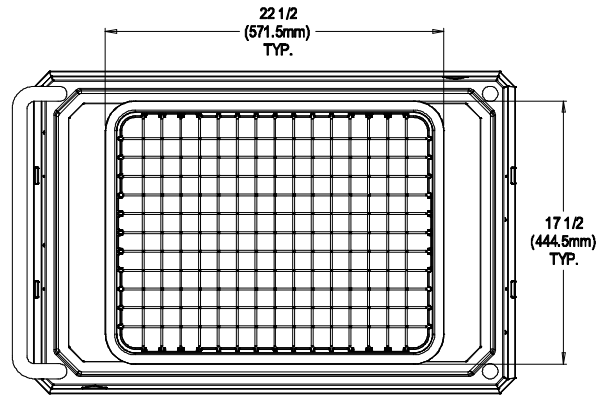
# Deep Ledge™ Tote Box Compatibility



BC2030

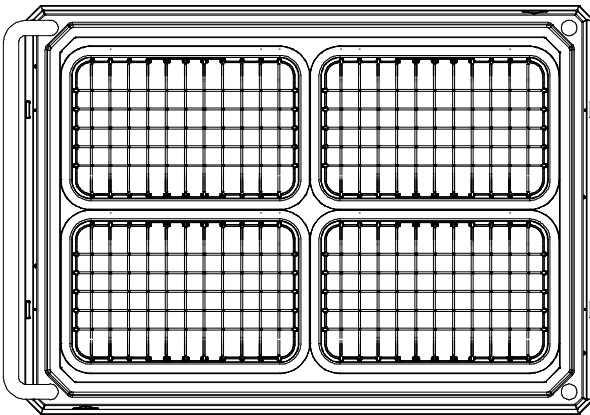


(2) TB92000 SERIES

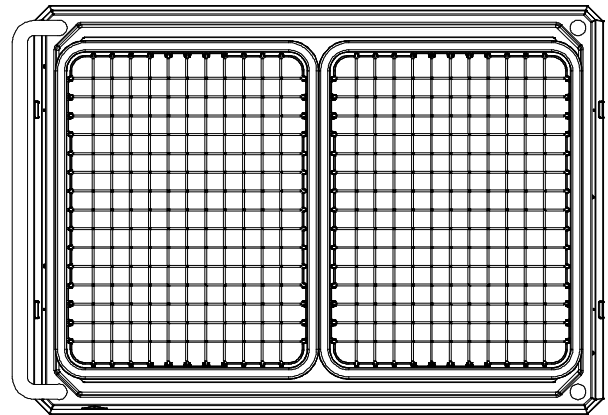


(1) TB93000 SERIES

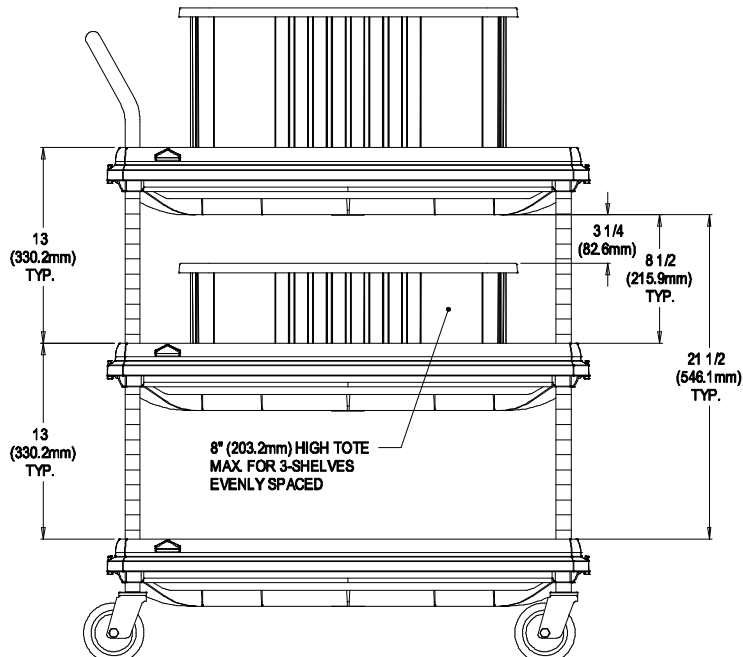
BC2636



(4) TB92000 SERIES



(2) TB93000 SERIES





## Deep Ledge™ Load Ratings/Applications

### Load ratings – Evenly Distributed Load

#### BC2030 Cart

Shelf: 150 lbs. (68kg)

Cart: 400 lbs. (181.4 kg.)

#### BC2636 Cart

Shelf: 150 lbs. (68kg)

Cart: 400 lbs. (181.4 kg.)

### Short Form Specs – Base models

Cart, Utility, consisting of at least (2) high-density polyethylene, injection-molded shelves, (2) 1" (25.4mm) dia. x 16 ga. (1.5mm) nickel chrome plated posts, and (1) 1" (25.4mm) dia. x 16 ga. (1.5mm) nickel chrome plated handle. All shelves will have a built-in 2-11/16" (68.3mm) deep recess. Two-shelf cart design is such that user may add an intermediate shelf if deemed necessary that adjusts on 1" (25.4mm) increments.

- **2030 and 2036 models:** Roll on four 4" (101.6mm) diameter x 1" (25.4mm) wide thermoplastic elastomer, mark-resistant swivel/stem casters.
- **Blue models:** Have built-in Microban® antimicrobial product protection. Microban® antimicrobial product protection will inhibit the growth of bacteria, mold, mildew, and fungus that cause odors and product degradation.
- **Casters**  
4" (101.6mm) dia. swivel caster: Thermoplastic elastomer, non-marking gray wheel tread with polyolefin wheel hub and with zinc plated horn and axle.
- **Utility bin and waste basket wire holders:** Chrome plated low carbon steel wire

### Applications

- **Continuous Usage Temperature:** -20/120°F (-29/49°C)
- Shelves should not be exposed to hot objects (example: pans/pots, heated metal objects) whose temperature is at or above 200°F. (93.3°C). Permanent damage to the shelf may occur.
- Carts are not intended for cart wash or autoclave applications.



## Deep Ledge™ Replacement Parts

### Replacement parts: Deep Ledge Series

**Note:** Deep Ledge shelves cannot be retrofitted to BC or myCart series carts.

#### Shelves (include one bag of split sleeves)

Part number	Description
BC2030D-G	2030 SHELF GRAY
BC2636D-G	2636 SHELF GRAY
BC2030D-BU	2030 SHELF BLUE
BC2636D-BU	2636 SHELF BLUE
BC2030D-BL	2030 SHELF BLACK
BC2636D-BL	2636 SHELF BLACK
BC2030D-MB	2030 SHELF WITH MICROBAN
BC2636D-MB	2636 SHELF WITH MICROBAN

#### Post/Caster/Sleeve kits

Part number	Description	For use with:
PCSI-2	(2) 29" chrome posts [EC29UP], (3) bags of sleeves [9985], (1) bag of 4" casters [RPBC4M-4]	myCart 1627 and 2030 base models; BC Series: all models

#### Posts

EC29UP Chrome post; actual height 28.625" (727mm); sold as each  
EC29UPS Stainless post; actual height 28.625" (727mm); sold as each

#### Castors

RPBC4M-4 4" (102mm) thermoplastic tread caster; sold as a bag of 4 casters





<b>Deep Ledge™ Cart Chemical Resistance Guide</b>					
REAGENT	GROUP	SHELVES & WASTE BASKET (HDPE)	POSTS (CHROME)	CASTERS	UTILITY BIN (ABS)
Acetic acid (5%)	Acid, Organic	1	2	2	1
Acetic acid (50%)	Acid, Organic	1	3	4	4
Acetic acid, glacial	Acid, Organic	1	4	4	4
Acetone	Ketone	1	1	2	4
Ammonia	Cleaning Material	1	2	2	1
Ammonium hydroxide	Base	1	2	2	2
Anti-Freeze	Commercial Compound	1	2	2	1
Benzene	Hydrocarbon, Aromatic	2	2	2	4
Bleach (10%)	Cleaning Material	1	2	3	1
Brake fluid	Hydrocarbon, Common	1	2	3	4
Carbon tetrachloride	Halogen	3	1	4	4
Chlorine	Halogen	2	2	3	3

**Key To Ranking Chemical Resistance:**

- 1. Excellent** – For use under normal conditions.
- 2. Acceptable** – Long term exposure under severe conditions (high temperature, stress, etc.) may cause loss of mechanical properties and/or appearance.
- 3. Marginal** – For use only where a significant loss of mechanical properties and/or appearance is acceptable.
- 4. Do not use** – Causes severe degradation.

**A chemical resistance rating of 1 or 2 is considered to be within acceptable limits of the product, and should not be cause for concern.**

\*Indicates that material may be subject to superficial staining even though appropriate for use otherwise.

Chemical resistance ratings are based on a 72°F. (22.2°C.) ambient room temperature.



### Deep Ledge™ Cart Chemical Resistance Guide

REAGENT	GROUP	SHELVES & WASTE BASKET (HDPE)	POSTS (CHROME)	CASTERS	UTILITY BIN (ABS)
Citric acid (10%)	Acid, Organic	1	1	1	1
Detergent	Cleaning Material	1	1	1	1
Diesel Fuel	Hydrocarbon, Common	1	1	3	1
Dimethyl formamide (DMF)	Amide	1	2	3	4
Dioctyl phthalate (DOP)	Ester	1	2	2	1
Engine Oil	Hydrocarbon, Common	1	1	1	2
Ethanol	Alcohol	1	1	2	2
Ethyl ether	Ether	2	2	2	4
Formaldehyde (37%)	Aldehyde	1	1	2	2
Freon	Halogen	3	2	3	4
Gasoline	Hydrocarbon, Common	2	2	4	1
Grease	Hydrocarbon, Common	1	1	1	2
Hydraulic fluid	Hydrocarbon, Common	1	2	3	4
Hydrochloric acid, (37%)	Acid, Inorganic	1	3	3	1
Hydrogen peroxide, (30%)	Organic Compound	1	2	2	2

<b>Deep Ledge™ Cart Chemical Resistance Guide</b>					
REAGENT	GROUP	SHELVES & WASTE BASKET (HDPE)	POSTS (CHROME)	CASTERS	UTILITY BIN (ABS)
Isopropyl alcohol (2-propanol)*	Alcohol	1	4	2	2
Iodine	Halogen	2*	1	4	4*
Kerosene	Hydrocarbon, Aliphatic	1	2	3	2
Methanol	Alcohol	1	1	1	4
Methyl ethyl ketone (MEK)	Ketone	2	1	3	4
Methylene chloride	Halogen	3	1	4	4
Naptha	Hydrocarbon, Aromatic	1	2	2	3
Nitric Acid (10%)	Acid, Inorganic	1	2	3	1
Nitric Acid (70%)	Acid, Inorganic	3	3	4	4
Oleic acid	Acid, Organic	1	1	2	1
Orange Juice	Foodstuff	1	1	1	1
Perchloroethylene	Halogen	3	1	4	4
Phenol	Organic Compound	1	1	2	4
Phosphoric acid (10%)	Acid, Inorganic	1	2	2	1
Phosphoric acid (85%)	Acid, Inorganic	1	2	3	1



<b>Deep Ledge™ Cart Chemical Resistance Guide</b>					
REAGENT	GROUP	SHELVES & WASTE BASKET (HDPE)	POSTS (CHROME)	CASTERS	UTILITY BIN (ABS)
Quaternary ammonium	Cleaning Material	1	1	1	1
Salad Oil	Foodstuff	1	1	1	1
Sodium hydroxide	Base	1	2	3	1
Spor-Klenz (Ready To Use)	Disinfectant	1	1	2	2
Sulfuric acid (10%)	Acid, Inorganic	1	2	3	1
Sulfuric acid (30%)	Acid, Inorganic	1	3	3	1
Sulfuric acid (98%)	Acid, Inorganic	2	3	3	4
Toluene	Hydrocarbon, Aromatic	2	1	4	4
Trichloroethylene	Halogen	3	1	4	4
Turpentine	Hydrocarbon, Common	2	1	3	4
Vegetable Oil	Foodstuff	1	1	3	1
Vinegar	Foodstuff	1	2	2	1

**See Page 9 For Key To Ranking Chemical Resistance**



## Deep Ledge™ Series Cart Cleaning Guideline

PRODUCT	GROUP	Shelf and Waste Basket (HDPE)	Posts (Chrome)	Casters	Utility Bin (ABS)
Ammonia	Alkaline Compound	Acceptable	Acceptable	Acceptable	Acceptable
Amphyl	Phenol	Acceptable	Acceptable	Acceptable	Unacceptable
Bleach (10%)	Halogen	Acceptable	Unacceptable	Unacceptable	Acceptable
Clidox-S	Halogen	Acceptable	Unacceptable	Unacceptable	Unacceptable
Comet (Scratch Free)	Halogen	Acceptable	Unacceptable	Unacceptable	Acceptable
Conquer II	Alkaline	Acceptable	Acceptable	Acceptable	Acceptable
Formula 409, Fantastik (Anti-Bacterial)	Surfactant	Acceptable	Acceptable	Acceptable	Acceptable
FSD-4	Quaternary Ammonia	Acceptable	Acceptable	Acceptable	Acceptable
Hydrogen Peroxide (3%)	Organic Compound	Acceptable	Acceptable	Acceptable	Acceptable
Isopropyl Alcohol	2-Propanol	Acceptable	Unacceptable	Acceptable	Acceptable
LpH se	Phenol	Acceptable	Acceptable	Acceptable	Acceptable
LpH st	Phenol	Acceptable	Acceptable	Acceptable	Acceptable
Micro-Quat	Quaternary Ammonia	Acceptable	Acceptable	Acceptable	Acceptable
Pledge Multi Surface	Surfactant	Acceptable	Acceptable	Acceptable	Acceptable
Spartec	Quaternary Ammonia	Acceptable	Acceptable	Acceptable	Acceptable
Spra-Temp	Quaternary Ammonia	Acceptable	Acceptable	Acceptable	Acceptable
Spor-Klenz	Peracetic Acid	Acceptable	Acceptable	Acceptable	Acceptable
Vesphene II se	Phenol	Acceptable	Acceptable	Acceptable	Acceptable
Vesphene II st	Phenol	Acceptable	Acceptable	Acceptable	Acceptable
Virex-256	Quaternary Ammonia	Acceptable	Acceptable	Acceptable	Acceptable
Virkon-S	Potassium Salt	Acceptable	Acceptable	Acceptable	Acceptable
Windex	Surfactant	Acceptable	Acceptable	Acceptable	Acceptable



## **Deep Ledge™ Regulatory Information**

**Electronics Applications:** Deep Ledge™ Series Utility Carts and accessories are electronically insulative, and therefore are not suitable for use in ESD environments.

**Cleanrooms:** Deep Ledge™ Series Utility Carts and accessories have not been evaluated for clean room classification, and therefore, no cleanroom classification has been assigned. It is up to the management of the cleanroom facilities or clean areas to determine if Deep Ledge™ Series Utility Carts and/or accessories are suitable for their applications.

**MRI:** Deep Ledge™ Series Utility Carts and accessories are not appropriate for use in MRI applications.

**Microban®:** Antimicrobial Product Protection inhibits the growth of bacteria, mold, mildew, & fungi on the shelf surface. It cannot be said that Microban® kills bacteria, nor can it be said that Microban® product protection will protect the user from microbes that are pathogenic to humans. The Microban® additive in Deep Ledge™ Series Utility Carts is highly stable to chemical attack, (refer to the Deep Ledge™ chemical resistance guide) but can be removed from the surface of the cart and drawers by abrasion during washing, or through the use of alcohol. The level of Microban® protection on the surface will return to efficacious levels through migration of the additive from the interior of the polymer matrix to the exterior of the surface. This process takes place in a time period on the order of 15 minutes up to 1 hour depending on how much was removed in the process.

**NSF:** Deep Ledge™ Series Utility Carts are in compliance with the requirements of the National Sanitation Foundation International (NSF International) standard NSF/ANSI 2 with respect to the materials and construction shelving/carts intended for use in refrigerator interiors, freezers, and ware washing areas, and are acceptable for use for food zone non-direct food contact applications.

**Flammability information:** Under the National Fire Protection Association guidelines NFPA 101 (Life Safety Code 2009) and NFPA 99 (Standard for Healthcare Facilities 2005), Deep Ledge™ Series Utility Carts are not considered as part of the interior finish of a facility (3 §3.112 Interior Finish), and (3 §3.33 Contents and Furnishings), and therefore, flammability rating information is not required. The Joint Commission on Accreditation of Healthcare Organizations (JCAHO) and the Joint Commission International (JCI) an international affiliate of JCAHO, ensure compliance to NFPA standards with respect to fire safety, and are not concerned with the materials used in the construction of Deep Ledge™ Series Utility Carts.

**Leed Green Building Certification Recycled Content:** Deep Ledge™ Series Utility Carts are manufactured with materials that are 100% recyclable. For the purpose of Leed Green Building Certification, Deep Ledge™ Series Utility Carts contain approximately 7.2% pre-consumer and 25% post-consumer recycled low carbon steel. Packaging materials consist of approximately 60% pre-consumer and 20% post consumer recycled corrugated cardboard. The pre-consumer and post-consumer recycled content for the polymer shelves, split sleeves, and caster wheels is 0% as virgin polymer materials are used in the manufacturing of these items.

**VOC/Outgassing Content:** Outgassing is the tendency of polymer materials to exude vapors or volatile organic compounds (VOC's) that can cause airborne particulate contamination within clean rooms or clean room areas. A comprehensive evaluation of the materials used in the construction of the Deep Ledge™ Series Utility Cart conducted with respect to ASTM E-595 and NASA SP-R-0022A standards indicates that the Total Mass Loss (TML) value does not exceed 1.07% and the Collected Volatile Condensable Material (CVCM) value does not exceed 0.08%. These results indicate that the tendency for Deep Ledge™ Series Utility Cart models to exude volatile organic compounds is relatively low, and therefore they should not contribute significantly to the airborne particulate contamination of a clean room or clean room area.



### Deep Ledge™ Misc. Bio/Flammability Information

COMPONENT/ITEM	GAMMA RADIATION STERILIZABILITY*	UV RADIATION STERILIZABILITY	FLAMMABILITY RATING (REFERENCE)
UTILITY BIN (ABS)	ACCEPTIBLE – MAX. DOSE - 100 Mrad	ACCEPTIBLE	FLAMMABLE (UL94: UNRATED)
SHELVES & WASTE BASKET (HDPE)	ACCEPTIBLE – MAX. DOSE - 100 Mrad	ACCEPTIBLE	FLAMMABLE (UL94: UNRATED)
CASTER WHEEL HUB (PP)	ACCEPTIBLE – MAX. DOSE - 100 Mrad	UNACCEPTIBLE	SLOW-BURNING (UL94:HB)
POSTS (CHROME)	ACCEPTIBLE – MAX. DOSE – N/D	ACCEPTIBLE	N/A
CASTER HORN (ZINC PLATED)	ACCEPTIBLE – MAX. DOSE – N/D	ACCEPTIBLE	N/A
CASTER WHEEL TREAD (TPE)	ACCEPTIBLE – MAX. DOSE - 100 Mrad	ACCEPTIBLE	SLOW-BURNING (UL94:HB)
SPLIT SLEEVES (HIPS)	ACCEPTIBLE – MAX. DOSE - 1000 Mrad	ACCEPTIBLE	SLOW-BURNING (UL94:HB)

\* Dosage is measured in Mrads (mega-rads) or kGy (kilo-Grays). 1 MRad = 10 kGy. In terms of energy (joules), 1 Gy is the absorption of 1 J/kg. A typical sterilization dose is 2 Mrad or 20 kGy.