



**457LAVHEPA12
COMMERCIAL UPRIGHT HEPA
VACUUM CLEANER**



IMPORTANT SAFEGUARDS

When using an electrical appliance, basic precautions should always be followed, including the following:

READ ALL INSTRUCTIONS BEFORE USING THIS VACUUM CLEANER.

WARNING

- Do not use outdoors or on wet surfaces.
- Do not use with damaged cord or plug. If vacuum cleaner is not working as it should, has been dropped, damaged, left outdoors or dropped into water, return it to a service center before using.
- Close supervision is necessary when any appliance is used by or near children. Do not allow vacuum cleaner to be used as a toy or to run unattended at any time.
- Keep hair, loose clothing, fingers, feet and all parts of body away from openings, rotating agitator and other moving parts.
- Do not operate cleaner in bare feet or when wearing open toe shoes or sandals.
- Do not pick up anything that is burning or smoking, such as cigarettes, matches, or hot ashes.
- Avoid picking up hard, sharp objects with the cleaner. They may damage the cleaner and the bag.
- Do not use without dust bag or dirt cup in place. Shake bag and empty dirt cup frequently when picking up very fine materials such as powder.
- Use extra care when cleaning on stairs.
- Do not put any objects into openings. Do not use with an opening blocked. Keep free of dust, lint, hair or anything that may reduce air flow.
- Do not pull or carry by cord, use cord as a handle, close door on cord or pull cord around sharp edges or corners. Do not run appliance over cord. Keep cord away from heated surfaces.
- Always disconnect cord from electrical outlet before servicing the cleaner.
- Unplug cleaner when not in use. Turn off all controls before unplugging.
- Do not unplug by pulling on cord. To unplug, grasp the plug, not the cord. Never handle plug or appliance with wet hands.

SAVE THESE INSTRUCTIONS

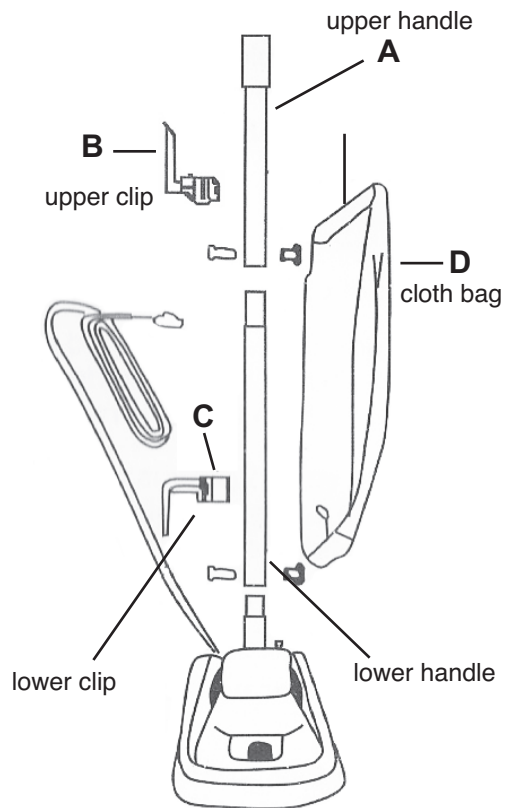
HOW TO ASSEMBLE THE LAVEX JANITORIAL VACUUM

A Unpack The Enclosed Packet

Enclosed in a packet are two nut and bolts for the handle and one upper (larger) and lower (smaller) plastic cord hooks. An extra drive belt is included.

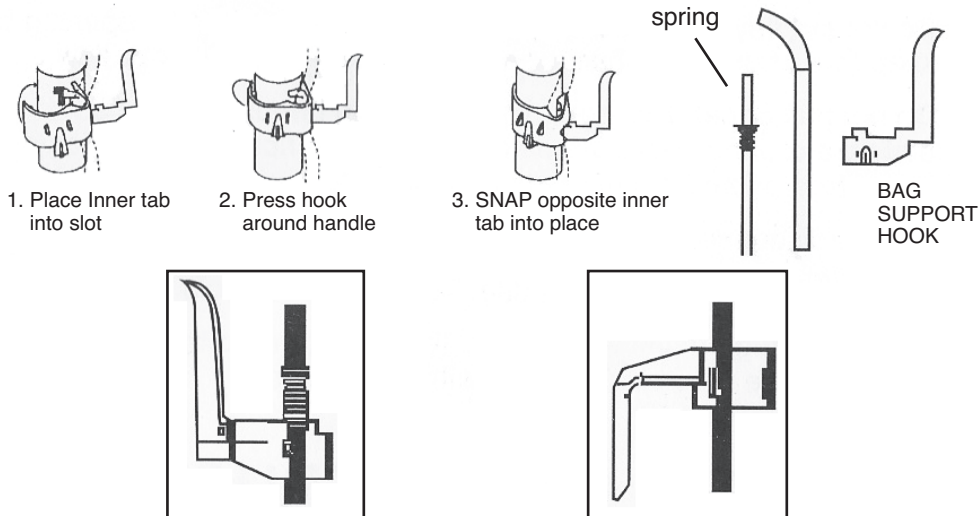
B Assemble Handle

Place lower handle into the handle socket. Take upper handle and slide on top of lower handle. Make sure holes align for nut and bolts. Make sure upper handle curves towards back of vacuum cleaner. Insert nut and bolts and tighten.



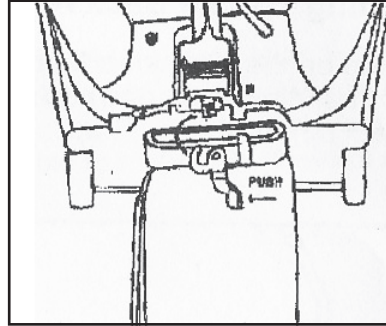
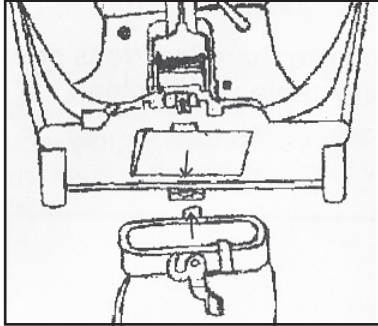
C Upper Cord Hook And Lower Cord Hook Assembly

Take lower cord hook with vacuum facing frontwards and snap into slot on lower handle with hook facing down. Make sure cord is in cord slot before clip is snapped in. Take upper cord hook and place cord with spring retainer into slot and snap in. Wrap cord around cord clips.



D Install The Bag

Take lower part of cloth bag or dust cup with latch and bag adapter clip and align with back of vacuum. Bring the bag collar forward and turn latch so bag locks onto the rivet. Take spring from cloth bag and attach to support on upper cord hook.

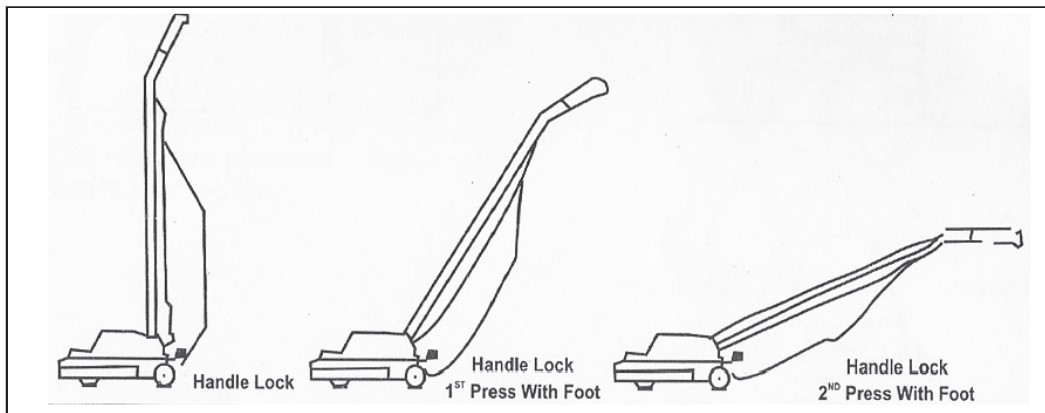


HOW TO USE VACUUM

The LAVEX JANITORIAL vacuum cleaner is designed to be used on many types of carpeting and floor.

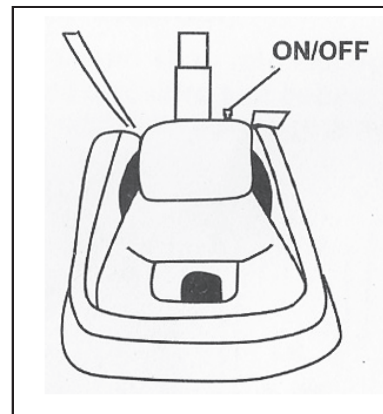
A Adjusting Handle Back and Forth

Simply step on the wide area foot release pedal and lower handle. Press down again and handle will go down to floor level. This will enable you to clean underneath furniture.



B On/Off switch foot activated

Step on the power switch located on top of the heavy duty metal hood. Press down with foot and power will go on. Step again on the top of the switch and power will shut off.



C Electric cord storage

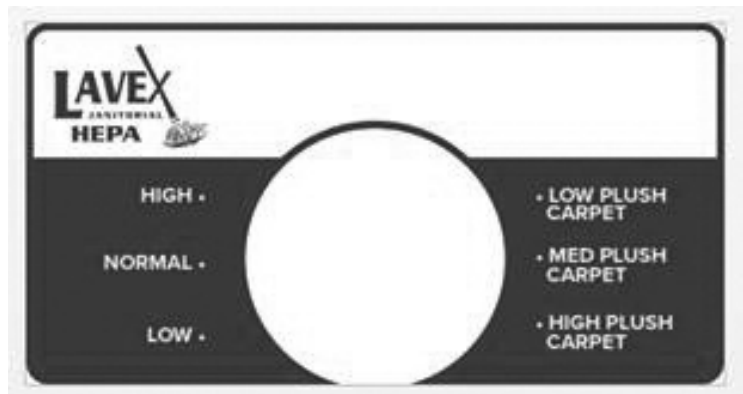
Always wrap cord around cord hooks and fasten cord to prevent unwinding.

Electric Large, Easy to Turn Adjustment Knob For Carpet Pile Height

WARNING: Avoid injury. Keep loose clothing, hair, fingers, and all other parts of body away from any moving part (such as the revolving brush). Turn off the switch and unplug the cleaner before changing the cleaner height setting.

Adjust the vacuum cleaner height setting to match the carpet pile height. Refer to the following chart of recommended settings for carpet types.

While vacuum cleaner is off and unplugged from the outlet, turn the extra large adjustment knob to desired setting. If vacuum is hard to push on setting while in operation, simply shut off cleaner and unplug from outlet. Turn dial to next setting and continue testing the setting until vacuum is comfortable to move and effective cleaning is desired.



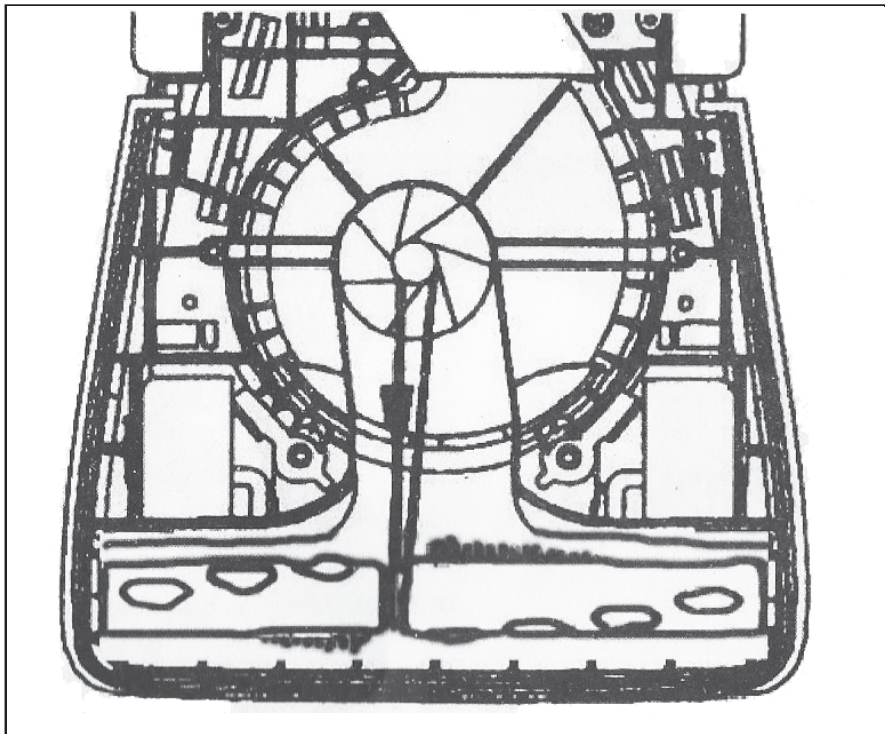
Maintenance

Disconnect vacuum from electrical outlet before attempting to service it in any manner.

The instructions given in this booklet serve as a guide to routine maintenance. To avoid unnecessary service calls, check the bag, belt and brush roll often.

Clear Fan Chamber Instructions

The removable clear fan chamber enables the user of the vacuum cleaner to observe if any obstructions, dirt buildup, broken fan, broken belt or any other maintenance issue needs to be addressed. It is recommended that a qualified vacuum repair specialist repair maintenance issues.



CAUTION: When changing the belt please be careful. The pulley is heated after motor was running.

How To Change HEPA Filter Bag

NOTE: Turn off the switch and unplug the electrical cord before servicing the bag. Never operate the vacuum cleaner without the dust bag.



- 1. Open zipper bag and pull out the HEPA filter bag from the plastic tube.**



- 2. Replace the new HEPA filter bag, and make sure the bag collar is inserted into the tube, then re-zip the cloth bag.**

Picking up fine powders, substrates or carpet fresh powders can clog the HEPA Filter bag - Please remember to empty bag often so that vacuum cleaner can operate more efficiently.

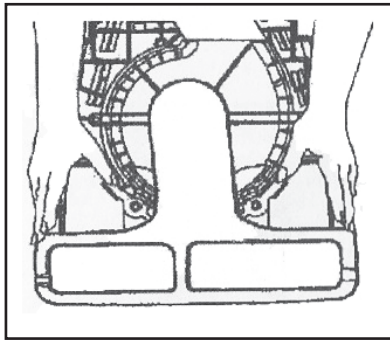
Brush Roll Belt

When to replace belt.

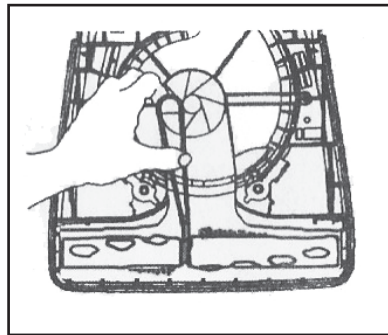
NOTE: Turn off the switch and unplug the electrical cord before replacing belt.
Belt pulleys can become hot during normal use. To prevent burns, avoid touching the belt pulley when servicing the drive belt.

The belt on the vacuum drives the brush roll to clean the carpet. Make sure to check if the belt is not stretched, cracked or worn. It is recommended to change the belt if any of the above should happen.

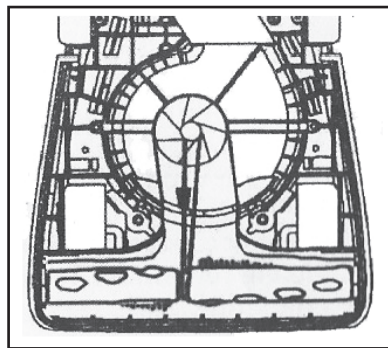
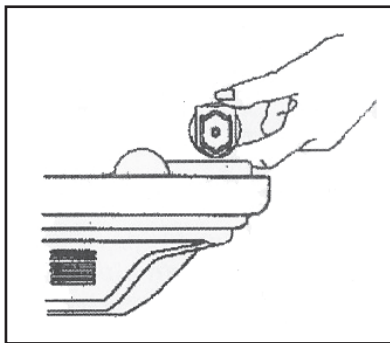
IMPORTANT: Improper installation of the brush roll or brush roll belt could cause carpet or cleaner damage.



- A. Turn back locks to remove metal bottom plate.
B. Remove belt from pulley. Lift up brush roll and remove from vacuum, take off belt.



- C. Put new belt on center of brush roll.
D. Set brush roll back in place in vacuum and align belt with the belt guide.



- E. Pull belt over pulley and set. Rotate pulley to make sure belt is riding smooth on motor pulley.
F. Put bottom plate back on and lock back in with both locks.

THE LAVEX JANITORIAL LIMITED WARRANTY

WHAT THIS WARRANTY COVERS

Your LAVEX JANITORIAL cleaner is warranted to be free from all defects in material and workmanship in normal use FOR A PERIOD OF ONE YEAR. The warranty is granted only to the original purchaser of the cleaner. The warranty is subject to the following provisions.

WHAT THIS WARRANTY DOES NOT COVER

- Parts of the cleaner that require replacement under normal use, such as bumpers, bags, bristle strips, belts and impellers.
- Damages or malfunctions caused by negligence, abuse or use not in accordance with the Owner's Guide.
- Defects or damages caused by unauthorized service or the use of other than LAVEX JANITORIAL parts.

WHAT LAVEX JANITORIAL WILL DO

The LAVEX JANITORIAL will, at its option, repair or replace a defective cleaner or cleaner part that is covered by this warranty. As a matter of warranty policy, LAVEX JANITORIAL will not refund the consumer's purchase price.

LAVEX JANITORIAL does not recognize internet sales, the warranty is null and void if the unit is purchased on a non-authorized site.

The warranty is null and void if the user does not use original LAVEX JANITORIAL original paper bags as well as any parts.

