

www.luxorfurn.com
www.hwilson.com

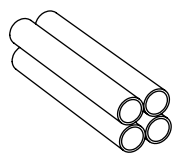
Parts List

Tools Required

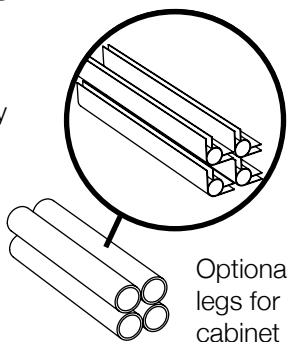
- Rubber Mallet

NOTICE:

Leg lengths of leg **E** may be shorter than leg **F**

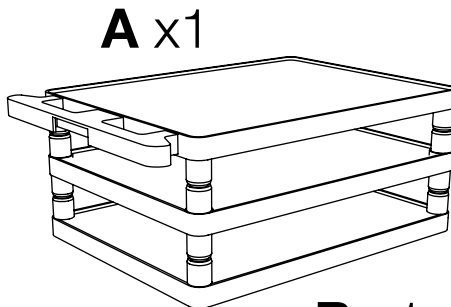


E x4



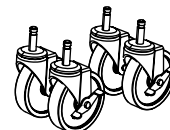
F x4

Optional fluted legs for units with cabinet pack



A x1

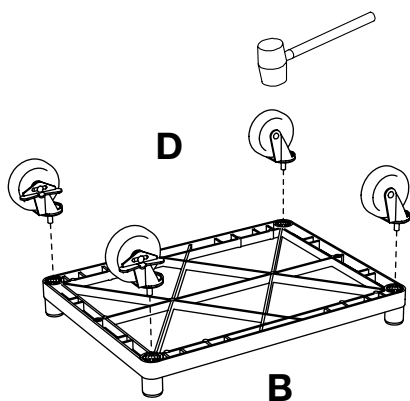
C x1



D x4

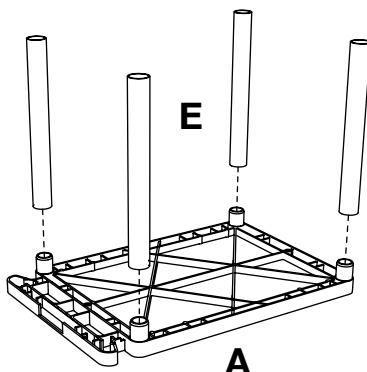
B x1

1

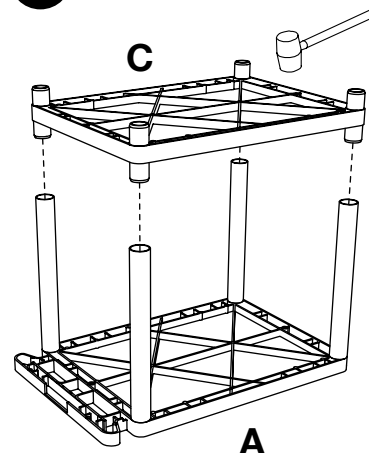


2

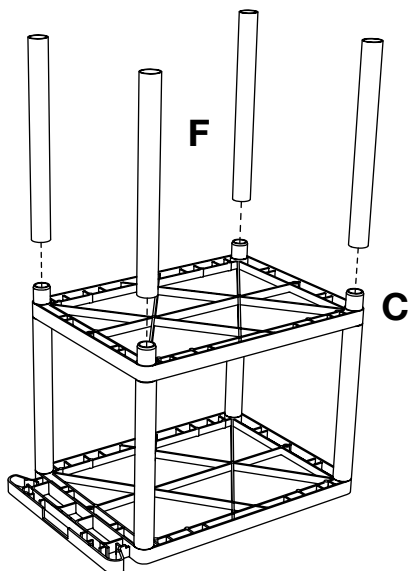
Install optional cabinet pack / pullout shelf / electrical assembly after step 1



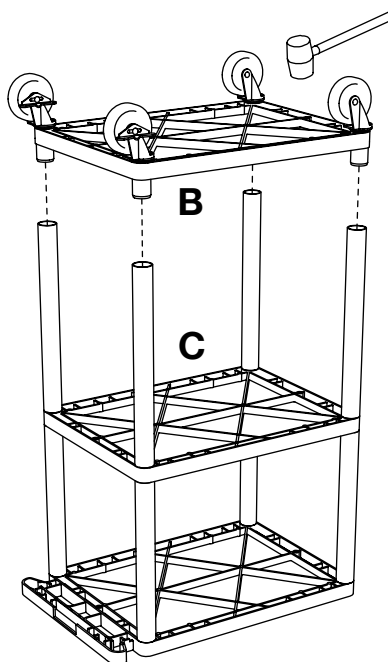
3



4



5



6

