

UNPACKING INSTRUCTIONS — MODEL 4146 CHOPPER (Fig. 1)

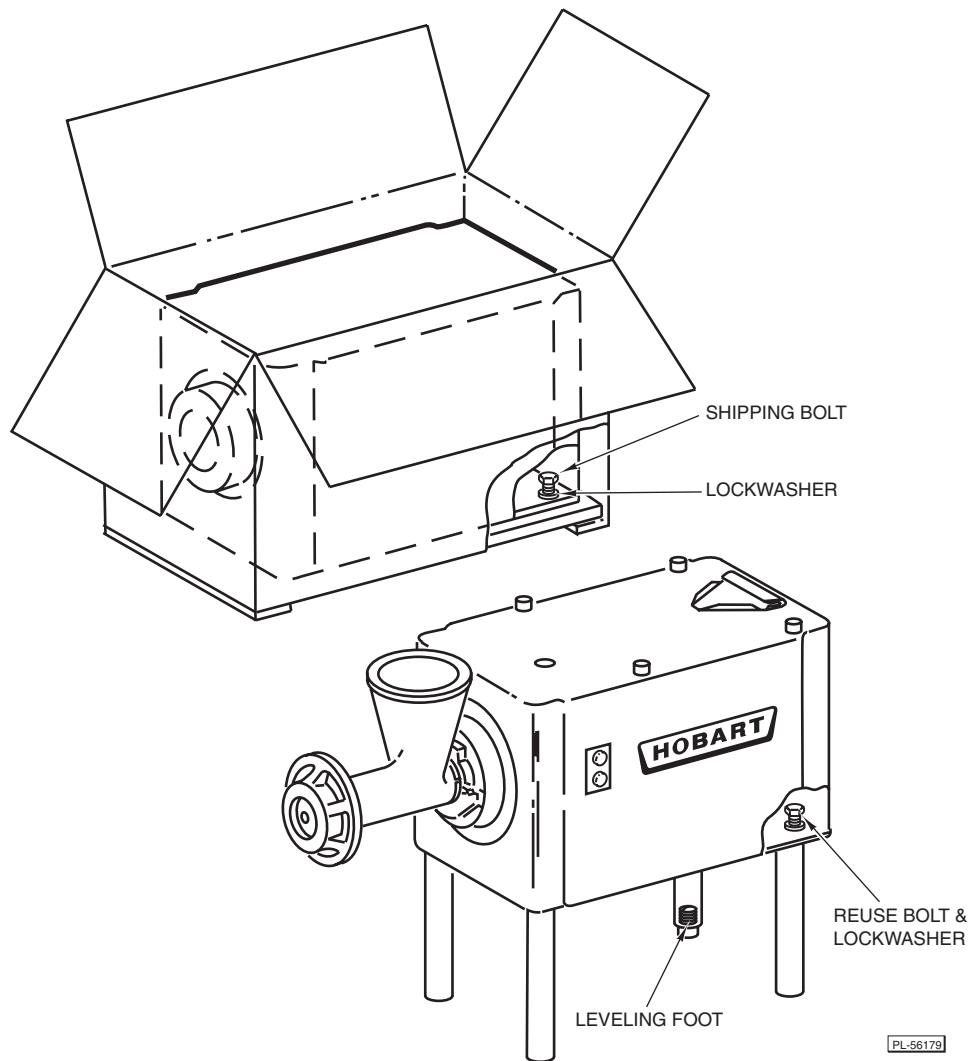


Fig. 1

Disassemble and remove the packing carton from the shipping skid. Remove the machine top cover. Unscrew and save the four shipping bolts and lockwashers — they are to be reused for attaching the legs to the machine.

Open the separate package containing the four legs. Assemble the adjustable leg (used for leveling) at the right rear corner (Fig. 1) for right-to-left operation. Assemble the adjustable leg at the left rear corner for left-to-right operation. Assemble the non-adjustable legs at the other three corners. Replace the machine top cover.



701 S. RIDGE AVENUE
TROY, OHIO 45374-0001
937 332-3000
www.hobartcorp.com