

**CARNIVAL
KING**

**ROYALTY
SERIES**

USER MANUAL



POPCORN CARTS

12/2019

www.CarnivalKingSupplies.com



POPCORN CARTS FOR 4 OZ. & 8 OZ. POPPERS

General Safety Precautions

1. This manual will outline safety warnings and precautions, and assembly. The warnings and instructions reviewed in this manual cannot cover all possible conditions and situations that may occur. Factors such as caution and common sense cannot be built into this product and it is trusted the operator will follow these measures.
2. This cart must never be modified and should only be used for its intended purpose.
3. Use a protective covering for the cart when long-term storage is planned.
4. Avoid using outdoors. In the circumstance that the cart is used outdoors, ensure it is protected from rain and water.
5. When cleaning, do not use abrasive chemical or materials as you will damage the cart's surface.

8 oz. Popcorn Cart Specs

Unit Dimensions	17.25"L x 36.875"D x 32.5"H
Rear Wheels	14.5"
Front Wheels	1.5"

Cart Assembly

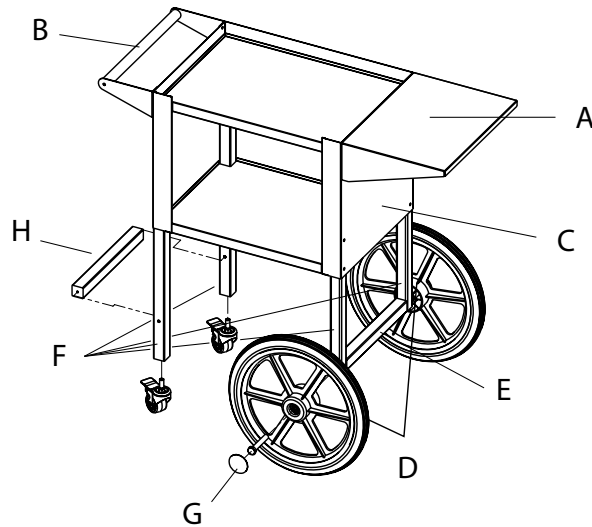
1. Unpack box and remove all components from protective wrap.
2. A phillips head screw driver and the socket tool provided are the only tools needed for assembly.
3. Connect the side shelf to the side of the base with the 6 screw holes.
4. Connect side handle to the opposite side.
5. Connect wheels to the axle (using contents of the package given).
6. Put the round cap nut on inside of the wheel *before* connecting to axle.
7. Put the round cap nut on outside of the wheel *after* connected to axle.
8. Connect axle/legs with wheels to the main unit. The wheels must be on the same side as the shelf.
9. Connect casters to axle #2; connect axle/legs to the main unit. The legs with casters must be on the same side of the push handle.
10. Connect square pole to the axle with casters (horizontally).
11. Roll the cart to ensure wheels are able to move freely. If not, remove the round cap and slightly loosen the wheels until they move as desired.



POPCORN CARTS FOR 4 OZ. & 8 OZ. POPPERS

Cart Parts List

- A. Side work shelf (1)
- B. Side-mount push handle (1)
- C. Main cabinet (1)
- D. Wheels - 14.5" (2), 1.5" casters (2)
- E. Wheel axle (1)
- F. Legs (4)
- G. Wheel end caps (2)
- H. Support rod for legs with casters (1)
- I. Assembly tool (1)



To Install Main Unit on Cart (sold separately)

1. Set the main unit on the top side of the storage cabinet.
2. Hook the pot onto the main unit's hanger. If done correctly, its roller bar should be on the door side of the machine.
3. Take the power plug from the main unit's ceiling and connect it with the socket on the bottom of the pot.
4. Inside the storage cabinet, release the two spring shafts underneath the main unit. Secure the main unit to the storage base.

**For operating, cleaning and maintenance instructions, please see the popper manual.