



WESTON

RECONNECT WITH REAL FOOD



500 WATT #5 & 575 watt #8

MEAT GRINDER

AND SAUSAGE STUFFER

33-1101-W & 33-1201-W

DUE TO CONSTANT FACTORY IMPROVEMENTS, THE PRODUCT PICTURED MIGHT DIFFER SLIGHTLY FROM THE PRODUCT IN THIS BOX. 080116

GENERAL SAFETY RULES	3
IMPORTANT SAFEGUARDS	4
OUTLET INSTRUCTIONS	5
COMPONENT LIST	6-7
CLEANING	8
GRINDER ASSEMBLY	9
GRINDING INSTRUCTIONS	10
STUFFER ASSEMBLY	11
STUFFING INSTRUCTIONS	12-13
REVERSE FUNCTION	13
THERMAL OVERLOAD PROTECTION	14
HELPFUL HINTS	15
FOOD SAFETY	16
WARRANTY	18
REGLAS IMPORTANTES DE SEGURIDAD	20
SALVAGUARDAS IMPORTANTES	21
INSTRUCCIONES DEL TOMACORRIENTE	22
LISTA DE COMPONENTES	24-25
LIMPIEZA	26
ENSAMBLADO DE LA PICADORA	27
INSTRUCCIONES PARA PICAR	28
ENSAMBLADO DE LA EMBUTIDORA	29
INSTRUCCIONES PARA EMBUTIR	30-31
USADO LA FUNCIÓN DE REVERSA	31
PROTECCIÓN DE SOBRECARGA TERMAL	32
SEGERENCIAS	32
SEGURIDAD DE LOS ALIMENTOS	33
INFORMACIÓN DE LA SALCHICHA	34
INFORMACIÓN DE GARANTÍA WESTON	36
IMPRTANTES RÈGLES DE SÉCURITÉ	38
MISES EN GARDE IMPORTANTES	40
DIRECTIVES CONCERNANT LES PRISES DE COURANT	41
DESCRIPTION DE LA PIÈCE	42-43
NETTOYAGE	44
ASSEMBLAGE DU HACHOIR	45
DIRECTIVES DE HACHAGE	46
ASSEMBLAGE DU POUSSOIR	47
DIRECTIVES POUR FARCIR	48-49
UTILISATION DE LA FONCTION INVERSE (REVERSE)	49
PROTECTION CONTRE LES SURCHARGES THERMIQUES	50
CONSEILS UTILES	50
SÉCURITÉ ALIMENTAIRE	51
INFORMATIONS SUR LES SAUCISSES	52
INFORMATION SUR LA GARANTIE	55

GENERAL SAFETY RULES

READ AND FULLY UNDERSTAND ALL INSTRUCTIONS AND WARNINGS PRIOR TO USING THIS UNIT. YOUR SAFETY IS MOST IMPORTANT! FAILURE TO COMPLY WITH PROCEDURES AND SAFE GUARDS MAY RESULT IN SERIOUS INJURY OR PROPERTY DAMAGE. REMEMBER: YOUR PERSONAL SAFETY IS YOUR RESPONSIBILITY!

1. **DO NOT** use the **Grinder** without the **Tray** secured into place.
2. **ALWAYS DISCONNECT** **Grinder** from power source before servicing, changing accessories or cleaning the unit.
3. Plug the **Grinder** into a standard 120 Volt, 60 Hz wall outlet.
4. **DO NOT USE** the **Grinder** if the **Power Cord**, **Plug** or any other parts are damaged. If the **Power Cord** or the **Grinder** is damaged, call Customer Service. **DO NOT ATTEMPT TO REPLACE THE CORD.** Be sure to not allow the **Power Cord** to drape into your work area. Check that all parts are operating properly, and perform the intended functions. Check for alignment of moving parts or any other conditions that may affect the operation.
5. **NEVER** use any accessories or parts from other manufacturers. Doing so will **VOID YOUR WARRANTY** and may cause fire, electrical shock or injury.
6. TO PROTECT AGAINST RISK OF ELECTRICAL SHOCK: **DO NOT SUBMERGE THE MAIN GRINDER BODY INTO WATER OR LIQUID. BE SURE THE GRINDER IS DISCONNECTED FROM THE POWER SOURCE BEFORE CLEANING.** Wash all parts by hand and thoroughly dry. Thoroughly clean all parts that will come in contact with food before using the appliance. **NEVER** rinse appliance **Grinder Motor** under tap, only use a moist cloth to clean the **Grinder Motor Unit**.
7. Reduce risk of unintentional starting. Make sure the **Power Switch** is in the "OFF" position before attaching to the power source.
8. **KEEP FINGERS CLEAR** of the **Auger** and **Cutting Blades AT ALL TIMES. NEVER REACH INTO THE GRINDER,** doing so may cause serious injury. **ALWAYS USE THE PROVIDED STOMPER, NEVER FEED FOOD BY HAND.**
9. **NEVER** use fingers to scrape food away from the **Grinding Plate** while the **Grinder** is in operation. **SEVERE INJURY MAY RESULT.**
10. **NEVER LEAVE THE GRINDER UNATTENDED.** Be safe, **DISCONNECT** the **Grinder** from power source before leaving the work area. Close supervision is necessary when any appliance is used near children. This appliance is **NOT** to be used by children.
11. Wait until all moving parts have stopped before you remove any part of the **Grinder**, or before switching the **Grinder** in reverse.
12. **TIE BACK** loose hair and clothing, and roll up long sleeves before operating the **Grinder.** **REMOVE** ties, rings, watches, bracelets, or other jewelry before operating the **Grinder.**
13. Be sure the **Grinder** is on a stable work surface. Be sure all the **Grinder Feet** are stable.
14. **DO NOT** attempt to grind bones or other hard items.
15. **DO NOT** run **Grinder** without meat in the **Head.** Severe damage to the **Head** and **Auger** may occur.
16. **WEAR EYE PROTECTION.** Wear safety glasses. Everyday eye glasses are not safety glasses. Safety glasses conform to ANSI Z87.1 requirements. Note: approved safety glasses have Z87 printed or stamped on them.
17. **DO NOT** use outdoors.
18. **DO NOT** use the **Grinder** while under the influence of drugs, medications or alcohol.
19. **DO NOT** let the **Power Cord** hang over edge of work surface.
20. **DO NOT** attempt to operate the **Grinder** if the **Grinder** itself is cold. The **Grinder** temperature should be at least 45°F (7°C) before beginning.
21. The **Gear Housing** and the **Motor Cover** may become **HOT** during operation. This is normal. **DO NOT** touch these parts during operation or until they cool after use.

SAVE THESE INSTRUCTIONS

IMPORTANT SAFEGUARDS



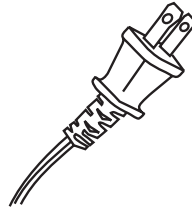
WARNING!

When using electrical appliances, basic safety precautions should always be followed including the following:

1. READ ALL INSTRUCTIONS BEFORE USING THE APPLIANCE.
2. To protect against risk of electrical shock, do not submerge or use this appliance near water or other liquid.
3. Unplug this appliance from the electrical outlet when not in use or before putting on or taking off parts and before cleaning.
4. Close adult supervision is necessary when any appliance is used near children. This appliance is NOT to be used by children.
5. NEVER use any accessories or parts from other manufacturers. Doing so will VOID YOUR WARRANTY and may cause fire, electrical shock or injury.
6. DO NOT operate any appliance with a damaged cord, plug or after the appliance malfunctions, or is dropped or damaged in any manner. Return appliance to the nearest authorized service facility for repair or adjustment.
7. Keep these instructions for use for future reference.
8. Check if the voltage indicated on the appliance corresponds to the local voltage before you connect the appliance.
9. Thoroughly clean the parts that will come into contact with food before you use the appliance for the first time.
10. DO NOT use outdoors.
11. DO NOT let cord hang over edge of table or counter.
12. DO NOT let cord come in contact with a hot surface. DO NOT use on an oven or stove.
13. DO NOT use fingers to scrape food away from the output chute while the appliance is operating. Never feed food into the appliance by hand. NEVER reach into the appliance. ALWAYS use the provided Stomper.
14. DO NOT operate the Grinder without the Tray in place.
15. Avoid contacting moving parts. Wait until moving parts have stopped running before you remove the parts of the appliance.
16. NEVER let the appliance run unattended.
17. Switch the appliance off before detaching or attaching any accessory.
18. DO NOT attempt to grind bones or other hard items.
19. DO NOT operate the appliance for more than 15 minutes at one time. After 15 minutes of continuous use, allow a few minutes for the appliance to rest before next use.
20. This appliance has a polarized plug (one blade of the plug is wider than the other). To reduce the risk of electric shock, this plug will fit in a polarized outlet only one way. If the plug does not fit fully in the outlet, reverse the plug. If it still does not fit, contact a qualified electrician. DO NOT modify the plug in any way.
21. CAUTION: In order to avoid a hazardous situation, this appliance must never be connected to a timer switch.

OUTLET INSTRUCTIONS

To reduce the risk of electrical shock, this plug must fit fully into the outlet. If the blades do not fit into the outlet, try turning the plug around. If the plug still does not fit into the outlet, contact a qualified electrician. DO NOT attempt to modify the plug in any way.



WARNING!

NEVER operate Grinder without the Tray secured in place.
To avoid serious or fatal injury, NEVER reach into any Grinder inlet.
ALWAYS use the Stomper to push food into the Grinder Head.
Read & fully understand all instructions & warnings prior to use.

CAUTION! It is important to follow the "Food Safety" guidelines outlined in this manual. For the most up to date instruction visit the USDA website.

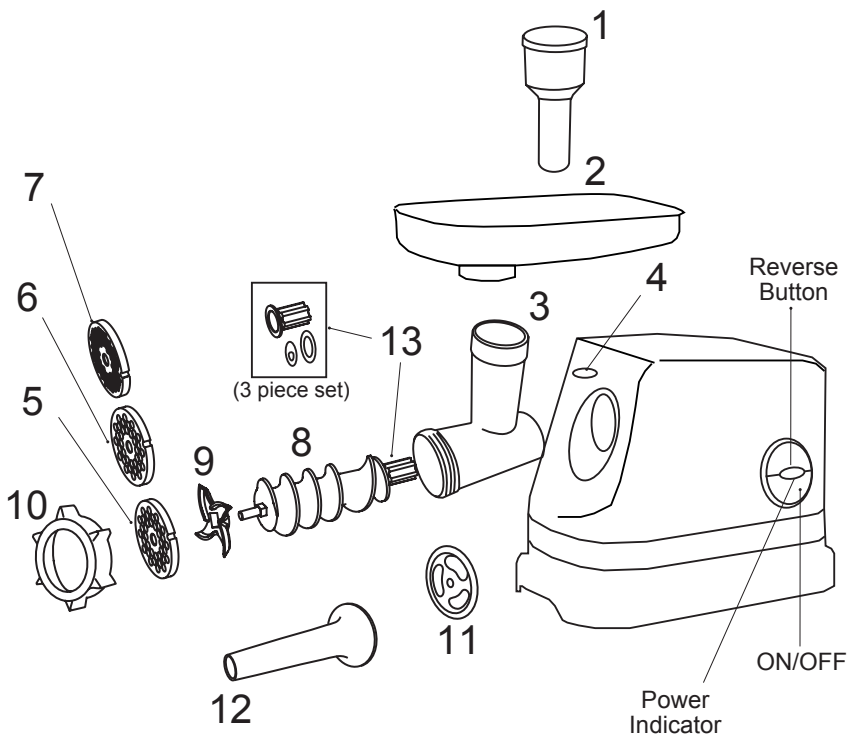
COMPONENT LIST

DIAGRAM NUMBER	PART DESCRIPTION	#5	#8
1	STOMPER	33-0877	33-0877
2	STAINLESS STEEL TRAY	33-1124	33-1124
3	GRINDER HEAD	33-1109	33-0809
4	HEAD RELEASE BUTTON	33-1108	33-1108
5	8 MM STAINLESS STEEL COARSE GRINDING PLATE	33-1110	33-0810
6	4.5MM STAINLESS STEEL MEDIUM GRINDING PLATE	33-1104	33-0804
7	3MM STAINLESS STEEL FINE GRINDING PLATE	N/A	33-0803
8	AUGER	33-1102	33-0802-N
9	STAINLESS STEEL GRINDER KNIFE	33-1145	33-0845
10	FRONT RING NUT	33-1142	33-0842
11	STUFFING SPACER	33-1176	33-0876
12	STUFFING FUNNEL	33-1120	33-0818
13	AUGER DRIVER SET	33-1194	33-1194

If any components of this unit are broken, the unit does not operate properly or you need a replacement instruction manual, visit us on the web at

WestonProducts.com

Or call Weston Brands LLC Toll Free at **1-800-814-4895**
Monday thru Friday 8:00am-5:00pm ET. Outside the U.S. call 001-216-901-6801

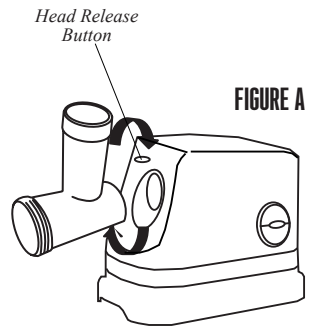


WARNING! Before cleaning, assembling or disassembling the Grinder, make sure the Grinder Motor is OFF and the PLUG IS REMOVED FROM THE OUTLET/POWER SOURCE!

CLEANING

WARNING! Before cleaning, assembling or disassembling the appliance, make sure the appliance is OFF and the PLUG IS REMOVED FROM THE OUTLET/POWER SOURCE!

1. Unscrew the Ring Nut and remove all parts from the Grinder Head.
2. To remove the Grinder Head, press the Head Release Button and turn the Grinder Head clockwise (**FIGURE A**).
3. Wash all parts that come in contact with food in hot soapy water. Rinse with clear water. Dry immediately. The Grinder parts are not dishwasher safe. Do NOT use bleach.
4. Fully lubricate the Grinder Head, Grinding Plates and the Knife with food grade silicone spray before and after each use.
5. Clean the Main Body with a soft damp towel. Dry immediately. DO NOT immerse the Main Body of the Grinder in water or other liquids.



WARNING!

NEVER operate Grinder without the Tray secured in place.
 To avoid serious or fatal injury, NEVER reach into any Grinder inlet.
 ALWAYS use the Stomper to push food into the Grinder Head.
 Read & fully understand all instructions & warnings prior to use.

GRINDER ASSEMBLY

! WARNING! Before cleaning, assembling or disassembling the appliance, make sure the appliance is OFF and the PLUG IS REMOVED FROM THE OUTLET/POWER SOURCE!

1. Remove the Ring Nut, Grinding Plate, Knife and Auger from the Grinder Head before installing the Grinder Head to the Main Body.
2. Align the notches on the Grinder Head with the tabs on the Main Body.
3. Press the Grinder Head against the Motor and rotate it counterclockwise until it locks into place (**FIGURE B**).

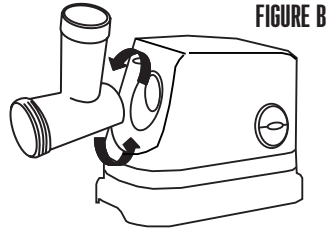


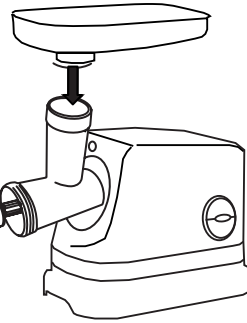
FIGURE B

4. Insert the Auger into the Grinder Head, Auger Driver end first (**FIGURE C**).
5. Place the Grinder Knife onto the square portion of the Auger Pin. The cutting edges (flat side) of the Knife should be facing out (**FIGURE D**).



FIGURE C

6. Place the Grinding Plate of your choice onto the Auger Pin. Make sure the notch of the Grinder Plate fits into the positioning pin of the Grinder Head (**FIGURE C**).
7. Turn the Ring Nut clockwise onto the threaded end of the Grinder Plate until it touches the Grinder and is snug. DO NOT over-tighten the Ring Nut.

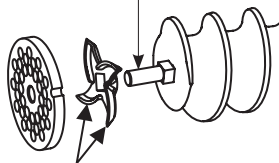


8. Place the Tray on the upright part of the Grinder Head. NEVER use the Grinder without the Tray installed!



Auger Pin

FIGURE D



Cutting edges of the Knife facing out.



WARNING!
 READ AND FULLY UNDERSTAND ALL INSTRUCTIONS AND WARNINGS PRIOR TO USING THIS UNIT.
 Never leave this appliance unattended!

GRINDING INSTRUCTIONS

WARNING! Before cleaning, assembling or disassembling the appliance, make sure the appliance is OFF and the PLUG IS REMOVED FROM THE OUTLET/POWER SOURCE!

1. Follow the “Grinder Assembly Instructions” to fully assemble the Grinder including the Tray.

NOTE: It is best to grind the meat using the coarse, 8 mm Grinding Plate first. If a finer grind of meat is desired, run the coarse ground meat through the Grinder a second time using the fine, 4.5 mm or 3 mm Grinding Plate.

2. Trim the meat of all cords, tendons, bones, shot, etc.

3. For best results, be sure that all meat has been chilled to between 32-34°F (0-1°C) before grinding. **DO NOT ALLOW MEAT TO SIT OUT AT ROOM TEMPERATURE LONGER THAN ABSOLUTELY NEEDED.** Closely follow the “Food Safety” instructions as outlined by the USDA.

4. Cut meat into sizes small enough to fit into the Feed Chute. Approximately 1” (2.5 cm) cubes.

5. Place cubed meat to be ground into the Tray. Do not overfill the Tray, place just enough meat to leave the Feed Chute area open.

6. Place a dish or bowl to collect the ground meat at the end of the Grinder Head (**FIGURE E**).

7. Make sure the Grinder is in the “OFF” position. Attach the Grinder to the power supply.

8. Press “ON” the Grinder Button. Carefully start feeding cubes of meat into the Feed Chute. **ONLY USE THE STOMPER TO PUSH MEAT INTO THE HEAD, DO NOT USE YOUR FINGERS OR ANY OTHER OBJECT.**

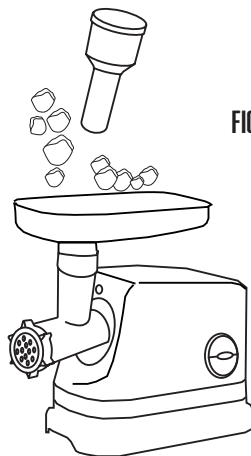


FIGURE E

NOTE:
To prevent overheating, do not operate the **Grinder** for more than 15 minutes at a time. Allow the **Grinder** to cool periodically.

WARNING!

NEVER operate Grinder without the Tray secured in place.
To avoid serious or fatal injury, **NEVER** reach into any Grinder inlet.
ALWAYS use the Stomper to push food into the Grinder Head.
Read & fully understand all instructions & warnings prior to use.

STUFFER ASSEMBLY

WARNING! Before cleaning, assembling or disassembling the appliance, make sure the appliance is OFF and the PLUG IS REMOVED FROM THE OUTLET/POWER SOURCE!

1. Remove the Ring Nut, Grinding Plate, Knife and Auger from the Grinder Head before installing the Grinder Head to the Main Body.

2. Align the notches in the Grinder Head with the tabs on the Main Body.

3. Press the Grinder Head against the Motor and rotate it counterclockwise until it locks into place (**FIGURE F**).

4. Insert the Auger into the Grinder Head, Auger Driver end first (**FIGURE G**).

5. Place the Stuffing Spacer into the Grinder Head. Make sure the notch of the Stuffing Spacer fits into the positioning pin of the Grinder Head.

6. Insert the Stuffing Funnel through the Ring Nut and then onto the Grinder Head.

7. Turn the Ring Nut clockwise onto the threaded end of the Grinder Head until it touches the Stuffing Funnel. DO NOT over-tighten the Ring Nut.

8. Place the Tray on the upright part of the Grinder Head. NEVER use the Grinder without the Tray installed!

FIGURE F

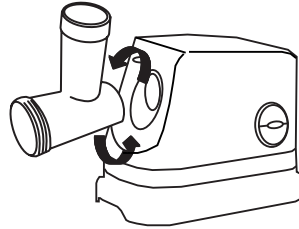
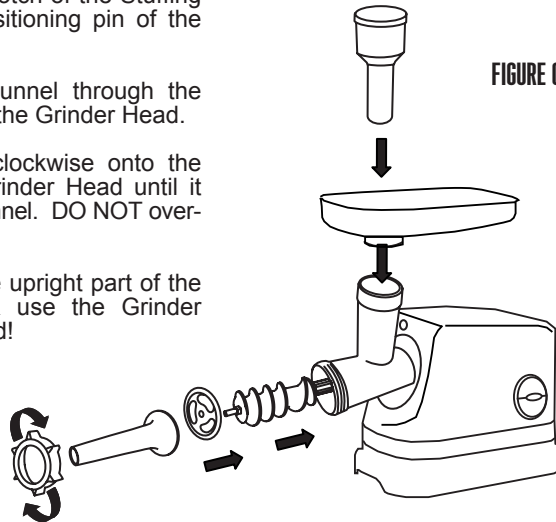


FIGURE G



WARNING!
READ AND FULLY
UNDERSTAND ALL
INSTRUCTIONS AND
WARNINGS PRIOR TO USING
THIS UNIT. Never leave this
appliance unattended!

STUFFING INSTRUCTIONS

WARNING! Before cleaning, assembling or disassembling the appliance, make sure the appliance is OFF and the PLUG IS REMOVED FROM THE OUTLET/POWER SOURCE!

1. After grinding the meat following the "Grinding Instructions", mix the ground meat with the sausage seasonings.
2. Follow the "Stuffer Assembly Instructions" to fully assemble the Grinder as a Stuffer including the Tray.

NOTE: While one person can stuff sausage with this Grinder, it is recommended that two people perform this operation.

3. Place seasoned ground meat into the Tray. Do not overfill the Tray, place just enough meat to leave the Feed Chute area open.

4. Slide a sausage casing over the Stuffing Funnel. See the "Sausage Information / Casing" section of this manual for more information.

5. Slide 4"-6" (10-15 cm) of casing from the end of the Stuffing Funnel and tie a knot in the end of the casing. If you are using large diameter fibrous casing, hold the closed end of the casing tightly against the end of the Stuffing Funnel (**FIGURE H**).

6. Make sure the Grinder is in the "OFF" position. Attach the Grinder to the power supply.

7. Press "ON" the Grinder Button. Carefully start feeding ground meat into the Feed Chute. **ONLY USE THE STOMPER TO PUSH MEAT INTO THE HEAD, DO NOT USE YOUR FINGERS OR ANY OTHER OBJECT.**

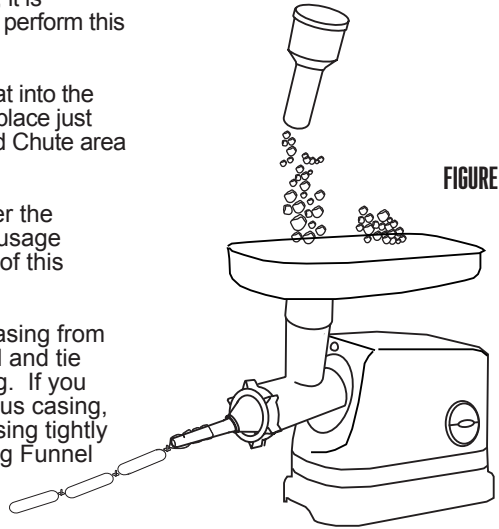


FIGURE H

NOTE:
To prevent overheating, do not operate the **Grinder** for more than 15 minutes at a time. Allow the **Grinder** to cool periodically.

WARNING!

NEVER operate Grinder without the Tray secured in place.
To avoid serious or fatal injury, **NEVER** reach into any Grinder inlet.
ALWAYS use the Stomper to push food into the Grinder Head.
Read & fully understand all instructions & warnings prior to use.

8. Hold the casing in place with one hand while feeding the sausage mixture through the Grinder. As the meat fills the casing, gently lay it on a clean, dry surface.

NOTE: When using natural casings, use a wet surface.

9. Do not fill the last 3"-4" (8-10 cm) of casing. After the entire length of casing has been stuffed, twist the open end to close, then tie off the ends of the casing tightly to close. Twist into links.

10. Whenever stuffing sausage, fill the casing slowly to avoid air pockets. If air pockets do appear in the sausage use a pin to prick the bubbles. The small holes will seal naturally.

USING THE REVERSE FUNCTION

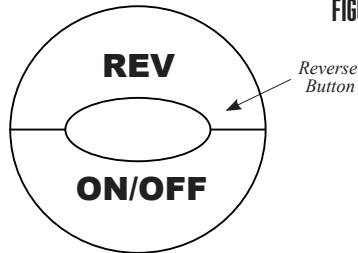
The reverse function only should be used for brief periods of time to help clear a jam.

1. Allow the Grinder Motor to come to a COMPLETE STOP before engaging in reverse "REV".

2. Push the Rev Button (**FIGURE I**).

NOTE: NEVER operate the Grinder in reverse for more than 5 seconds.

3. If the Grinder remains jammed after using the reverse function, turn the Grinder "OFF", disconnect the Grinder from the power source. Disassemble the Grinder Head and clean it according to the "Cleaning Instructions." Re-assemble the Grinder and follow the "Grinding Instructions/ Stuffing Instructions."



THERMAL OVERLOAD PROTECTION

Thermal overload protection on the motor can only be used once and cannot be reset after the unit becomes cool.

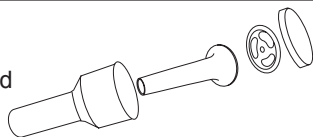
The Heavy Duty Electric Meat Grinder will automatically shut down if it overheats. If this occurs:

1. Turn the Grinder "OFF" and unplug the Power Cord.
2. Remove the Grinder Head from the Main Body.
3. Wait until the Grinder cools or about 1 hour. Keep meat refrigerated while the Grinder cools. Disassemble and remove meat from the Head if necessary.
4. Reassemble the Grinder and resume normal operation.
5. To prevent overheating, do not operate the Grinder for more than 15 minutes at a time. Allow the Grinder to cool periodically.

HELPFUL HINTS

! WARNING! Before cleaning, assembling or disassembling the appliance, make sure the appliance is OFF and the PLUG IS REMOVED FROM THE OUTLET/POWER SOURCE!

▪ The provided Stomper also serves as a neat and compact way to store the Stuffing Funnel and the Stuffing Spacer.



- Any time that you change the Grinding Plates, the Head should be removed COMPLETELY to prevent pushing meat back into the Motor Drive Shaft Housing.
- To prevent overheating, do not operate the Grinder for more than 15 minutes at a time. Allow the Grinder to cool periodically.
- DO NOT over-tighten the Front Ring Nut. It should be firmly tight.
- Make sure the Grinding Knife blades lay flat on the Grinder Plate.
- DO NOT operate the Grinder without meat in the Head. Running the Grinder while dry could damage the Head and Auger.
- Always lubricate the Head, Grinding Plate and Grinding Knife with a food-grade silicone spray after cleaning.
- DO NOT grind bones or other hard objects.

FOOD SAFETY

There are basic rules to follow when handling food. They are **COOK, SEPARATE, CLEAN,** and **CHILL.**

COOK

It's crucial to cook food to a safe internal temperature to destroy bacteria that is present. The safety of hamburgers and other foods made with ground meat has been receiving a lot of attention lately, and with good reason. When meat is ground, the bacteria present on the surface is mixed throughout the ground mixture. If this ground meat is not cooked to at least 160°F to 165°F (71°C to 74°C), bacteria will not be destroyed and there's a good chance you will get sick.

Solid pieces of meat like steaks and chops don't have dangerous bacteria like E. coli on the inside, so they can be served more rare. Still, any beef cut should be cooked to an internal temperature of at least 145°F (63°C) (medium rare). The safe temperature for poultry is 165°F (75°C) and solid cuts of pork should be cooked to 145°F (63°C).

SEPARATE

Foods that will be eaten uncooked and foods that will be cooked before eating **MUST ALWAYS** be separated. Cross-contamination occurs when raw meats or eggs come in contact with foods that will be eaten uncooked. This is a major source of food poisoning. Always double-wrap raw meats and place them on the lowest shelf in the refrigerator so there is no way juices can drip onto fresh produce. Then use the raw meats within 1-2 days of purchase, or freeze for longer storage. Defrost frozen meats in the refrigerator, not on the counter.

When grilling or cooking raw meats or fish, make sure to place the cooked meat on a clean platter. Don't use the same platter you used to carry the food out to the grill. Wash the utensils used in grilling after the food is turned for the last time on the grill, as well as spatulas and spoons used for stir-frying or turning meat as it cooks.

Make sure to wash your hands after handling raw meats or raw eggs. Washing hands with soap and water, or using a pre-moistened antibacterial towelette is absolutely necessary after you have touched raw meat or raw eggs. Not washing hands and surfaces while cooking is a major cause of cross-contamination.

CLEAN

Wash your hands and work surfaces frequently when you are cooking. Washing with soap and warm water for at least 15 seconds, then dry with a paper towel.

CHILL

Chilling food is very important. The danger zone where bacteria multiply is between 40°F and 140°F (4°C and 6°C). Your refrigerator should be set to 40°F (4°C) or below; your freezer should be 0°F (-17°C) or below. Simple rule: serve hot foods hot, cold foods cold. Use chafing dishes or hot plates to keep food hot while serving. Use ice water baths to keep cold foods cold. Never let any food sit at room temperature for more than 2 hours - 1 hour if the ambient temperature is 90°F (32°C) or above. When packing for a picnic, make sure the foods are already chilled when they go into the insulated hamper. The hamper won't chill food - it just keeps food cold when properly packed with ice. Hot cooked foods should be placed in shallow containers and immediately refrigerated so they cool rapidly. Make sure to cover foods after they are cool.

NOTE: Special considerations must be made when using venison or other wild game, since it can become heavily contaminated during field dressing. Venison is often held at temperatures that could potentially allow bacteria to grow, such as when it is being transported. Refer to the USDA Meat and Poultry Department for further questions or information on meat and food safety.

SAUSAGE INFORMATION

MEAT SELECTION FOR SAUSAGE MAKING

Sausage making has evolved over many years and generations, and as a result there are countless types of sausage you can make using the basic ingredients of meat, fat and a few carefully blended spices. Following are a few simple guidelines that will help you make the best tasting sausage possible.

Any type of meat can be used for making sausage: pork, beef, bison, moose and caribou, even antelope make great sausage. It is important when preparing venison or other red game meats to trim all the fat from the meat, as red game tallow will turn rancid in as few as five days. Replace the fat with either pork or beef fat, depending on the type of product you are making, at a ratio of 1 pound (0.5 kg) of fat for every 4 pounds (1.8 kg) of game meat.

The fat content of your sausage will affect the taste, texture, cooking characteristics and shelf life of your product. Most commercially made sausage has a fat content of about 20%. Using less than 12% fat will result in a very dry tasting sausage, while using more than 20% may result in a sticky flavorless sausage that will be difficult to cook.

CURING

It is important to properly cure meats to preserve meat and poultry, and to destroy undesirable microorganisms on the meat surfaces that cause spoilage and foodborne illnesses. There are many steps that help in this process, including smoking, cooking, drying, chilling and the addition of cure ingredients. The oldest means of accomplishing this is by introducing salt into the meat. The resistance of bacteria to salt varies widely among different types of bacteria. The growth of some bacteria is inhibited by salt concentrations as low as 3%, e.g., Salmonella, whereas other types are able to survive in much higher salt concentrations, e.g., Staphylococcus. Fortunately, the growth of many undesirable organisms normally found in cured meat and poultry products is inhibited at low concentrations of salt.

Modern curing is based on Nitrates and is very scientific. Purchase Weston Pink Curing Salt (02-0000-W) and follow the included instructions to ensure that you are properly curing your homemade sausage.

CASING

Weston offers a complete variety of casings. The right choice depends on personal preference as well as the type of sausage you wish to make. For most sausages, your choices are natural or collagen. Don't let the names fool you; collagen casings are not a synthetic. They are made from beef skin and other tissues. Collagen casings are uniform in size and texture and require almost no preparation. "Natural" casings are the intestines of lamb, sheep, hogs or beef. They are less uniform in size and require preparation. There are also fibrous non-edible casings that are most commonly used for summer sausage and ring bologna.

TYPES OF SAUSAGE

Most sausages fall into one of four categories: Fresh, Smoked, Cooked or Dried. All sausages, except dried, require refrigerated storage. There is also a sub-category of uncooked smoked sausages.

Among the fresh and uncooked smoked sausages, you will find such flavors as kielbasa or Polish sausage, Italian sausage, breakfast sausage and many others. Both fresh and uncooked smoked sausages require cooking before eating and also require refrigerated storage.

Smoked and cooked sausages include salami, bologna, the ever-popular hot dogs and many others. Proper smoking requires a smokehouse or smoker. Weston offers Outdoor Propane Smokers in a variety of sizes (41-0701-W, 41-0301-W, or 41-0401-W). Most smoked sausages are warmed before serving. Many people think that a smoked sausage will last much longer without spoilage, but this is not true. Smoked sausages should be treated the same as fresh sausage in terms of storage.

Dried sausages require the longest processing time, as they are air dried over a long period of time. Dry cured sausages include salami, chorizo, pepperoni, among others. The conditions under which the meat is dried are very exacting; temperature, time and humidity must all be carefully monitored for a safe and delicious product.

STORAGE

For the best flavors, we recommend vacuum sealing your fresh sausages, then storing them in the refrigerator (short term) or freezer (long term). Weston manufactures a variety of vacuum sealers. Ask the retailer from which you purchased this unit for their selection. Store dry cured products in paper or other breathable wrapping, unrefrigerated.



ONE-YEAR LIMITED WESTON WARRANTY

This warranty applies to products purchased and used in the U.S. and Canada, which have been properly registered within 30 days of the date of original purchase. This is the only express warranty for this product and is in lieu of any other warranty or condition. This product is warranted to be free from defects in material and workmanship for a period of one (1) year from the date of original purchase. During this period, your exclusive remedy is repair or replacement of this product or any component found to be defective, at our option.

To register your product: complete the online form at www.WestonProducts.com/Warranty.

This warranty does not cover unregistered products, unauthorized repairs or service to products, products sold "as-is" by retailers, glass, filters, wear from normal use, use not in conformity with the printed directions, or damage to the product resulting from accident, alteration, abuse, or misuse. This warranty extends only to the original consumer purchaser or gift recipient and is not transferrable. Keep the original sales receipt, as proof of purchase is required to make a warranty claim. This warranty is void if the product is subjected to any voltage and waveform other than as specified on the rating label (e.g., 120V ~ 60 Hz).

We exclude all claims for special, incidental and consequential damages caused by breach of express or implied warranty. All liability is limited to the amount of the purchase price. Every implied warranty, including any statutory warranty or condition of merchantability or fitness for a particular purpose, is disclaimed except to the extent prohibited by law, in which case such warranty or condition is limited to the duration of this written warranty. This warranty gives you specific legal rights. You may have other legal rights that vary depending on where you live. Some states or provinces do not allow limitations on implied warranties or special, incidental, or consequential damages, so the foregoing limitations may not apply to you.

Before returning the product for any repair or service: it must be clean and free from any food particles or other debris; otherwise, we will return it or impose a \$50 cleaning surcharge, at our option.

To make a warranty claim: go to www.WestonProducts.com/Contact; or call 1.800.814.4895 in the U.S. and 001.216.901.6801 outside the U.S., Monday – Friday, 8 am – 5 pm Eastern. You are responsible for all costs associated with shipping us the product freight prepaid. If the product qualifies for a warranty repair or replacement, we will bear the cost of returning it to you. We are not responsible for shipping damage.

For non-warranty work: call 1.800.814.4895 in the U.S. and 001.216.901.6801 outside the U.S., Monday – Friday, 8 am – 5 pm Eastern, to obtain a Return Merchandise Authorization Number (RMA Number). We will refuse all returns without an RMA Number. We charge US\$35/hour for all diagnostic, service, repair and processing work. We will not start any service or repair work without prior authorization. You are responsible for all costs associated with shipping us the product freight prepaid and our returning it to you.



WESTON

RECONNECT WITH REAL FOOD



MOLINO DE CARNE

de 500 vatios N.º 5 y 575 vatios N.º 8

Y RELLENADOR DE SALCHICHAS

33-1101-W & 33-1201-W

DEBIDO A CONSTANTES MEJORAS EN LA FÁBRICA, EL PRODUCTO QUE SE MUESTRA PUEDE SER LIGERAMENTE DIFERENTE DEL PRODUCTO EN ESTA CAJA. 080116

⚠️ REGLAS IMPORTANTES DE SEGURIDAD

LEA Y ENTIENDA COMPLETAMENTE TODAS LAS INSTRUCCIONES Y ADVERTENCIAS ANTES DE UTILIZAR ESTA UNIDAD. ¡SU SEGURIDAD ES LO MÁS IMPORTANTE! NO SEGUIR LOS PROCEDIMIENTOS Y PRECAUCIONES PUEDE PROVOCAR LESIONES GRAVES Y DAÑOS MATERIALES. RECUERDE: ¡SU SEGURIDAD PERSONAL ES RESPONSABILIDAD DE USTED!

1. **NO** opere la **picadora** si la **bandeja** no está colocada de manera segura en su lugar.
2. **SIEMPRE DESCONECTE** la **picadora** de la fuente de alimentación antes de dar mantenimiento, cambiar accesorios o limpiar la unidad.
3. Conecte la **picadora** a un tomacorriente estándar de pared de 120 voltios y 60 Hz.
4. **NO USE** la **picadora** si el **cable de alimentación**, el **enchufe** o cualquier otra parte está dañada. Si el **cable de alimentación** de la **picadora** está dañado, llame a Servicio al cliente. **NO INTENTE REPLAZAR EL CABLE.** Asegúrese de no permitir que el **cable de alimentación** cuelgue en su área de trabajo. Verifique que todas las piezas funcionen correctamente y cumplan sus funciones. Verifique la alineación de las piezas móviles o cualquier otra condición que pueda afectar el funcionamiento.
5. **NUNCA** use accesorios o partes de otros fabricantes. Hacerlo ANULARÁ SU GARANTÍA y puede causar un incendio, descarga eléctrica o lesión.
6. PARA PROTEGERSE DE UNA DESCARGA ELÉCTRICA: **NO SUMERJA EL CUERPO PRINCIPAL DE LA PICADORA EN AGUA O LÍQUIDO.** ANTES DE LIMPIAR LA **PICADORA** ASEGÚRESE QUE ESTÉ DESCONECTADA DE LA FUENTE DE PODER. Lave a mano y seque bien todas las partes. Limpie bien todas las piezas que entran en contacto con los alimentos antes de usar el electrodoméstico. **NUNCA** enjuague el **motor de la picadora** bajo el grifo, únicamente use un trapo húmedo para limpiar la **unidad del motor de la picadora**.
7. Reduzca el riesgo de arranques involuntarios. Asegúrese de que el **Interruptor de encendido** esté en la posición "OFF" (Apagado) antes de conectar la fuente de alimentación.
8. **MANTENGA LOS DEDOS ALEJADOS** del tornillo sinfin y de las **hojas de corte EN TODO MOMENTO. NUNCA META LA MANO EN LA PICADORA**, hacerlo puede causar una lesión seria. **SIEMPRE USE EL PRENSADOR PROPORCIONADO, NUNCA INSERTE ALIMENTOS CON LA MANO.**
9. **NUNCA** utilice los dedos para quitar alimentos de la **placa picadora** mientras la **picadora** está operando. **PUEDE RESULTAR EN LESIONES GRAVES.**
10. **NUNCA DEJE LA PICADORA SIN SUPERVISIÓN.** Manténgase seguro, **DESCONECTE** la **picadora** de la fuente de alimentación antes de dejar el área de trabajo. Se necesita una estricta supervisión cuando se use el aparato cerca de los niños. Este aparato **NO** es para ser usado por niños.
11. Espere hasta que todas las partes en movimiento se detengan antes de quitar cualquier parte de la **picadora**, o antes de hacer que la **picadora** funcione en reversa.
12. **RECÓJASE** el cabello y la ropa suelta, y remánguese las mangas largas antes de poner la picadora en funcionamiento. **QUITESE** corbatas, anillos, relojes, pulseras y cualquier otra alhaja antes de poner la **picadora** en funcionamiento.
13. Asegúrese de que la **picadora** esté en una superficie estable de trabajo. Asegúrese que todas las **patas de la picadora** estén estables.
14. **NO** intente moler huesos u otros artículos duros.
15. **NO** opere la **picadora** sin carne en el **cabezal**. Pueden ocurrir daños severos al **cabezal** y al **tornillo sinfin**.
16. **USE PROTECCIÓN OCULAR.** Use gafas de seguridad. Los anteojos de uso diario no son gafas de seguridad. Las gafas de seguridad cumplen con los requisitos de la norma ANSI Z87.1. Nota: Las gafas de seguridad aprobadas tienen un sello o una impresión con el código "Z87".
17. **NO** la utilice al aire libre.
18. **NO** utilice la **picadora** bajo la influencia de drogas, medicamentos o alcohol.
19. **NO** deje que el **cable de alimentación** cuelgue del borde de la superficie de trabajo.
20. **NO** intente operar la **picadora** si la **picadora** está fría. La temperatura de la **picadora** debe estar por lo menos a 45 °F (7 °C) antes de iniciar.
21. La **carcasa de engranes** y la **cubierta del motor** pueden ponerse CALIENTES durante la operación. Esto es normal. NO toque estas partes durante la operación o hasta que se enfríen después del uso.

SALVAGUARDAS IMPORTANTES



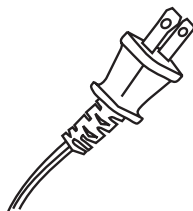
¡ADVERTENCIA!

Al usar aparatos eléctricos, siempre deben seguirse las precauciones básicas de seguridad incluyendo las siguientes:

1. LEA TODAS LAS INSTRUCCIONES ANTES DE USAR EL APARATO.
2. Para protegerse de una descarga eléctrica, no sumerja este aparato en agua u otro líquido.
3. Desconecte el aparato de la corriente eléctrica cuando no esté en uso o antes de poner o quitar partes y antes de limpiarlo.
4. Es necesaria la estricta supervisión de un adulto cuando se usa cualquier aparato cerca de niños. Los niños NO deben usarla.
5. NUNCA use ningún accesorio o partes de otros fabricantes. Hacerlo ANULARÁ SU GARANTÍA y puede provocar un incendio o descarga eléctrica, o lesión.
6. NO opere ningún aparato con daños en el cable, enchufe o después de la falla del aparato, o si se cayó o se dañó en cualquier manera. Regrese el aparato a la instalación de servicio autorizado más cercana para reparaciones o ajustes.
7. Conserve estas instrucciones para su futuro uso.
8. Revise si el voltaje indicado en el aparato corresponde al voltaje local antes de conectar el aparato.
9. Limpie completamente todas las piezas que entran en contacto con los alimentos antes de usar el aparato por primera vez.
10. NO usar al aire libre.
11. NO deje que el cable de alimentación cuelgue del borde de la mesa o mostrador.
12. NO deje que el cable entre en contacto con una superficie caliente. NO USAR en una estufa u horno.
13. NO use los dedos para quitar alimentos de la salida del conducto mientras esté funcionando el aparato. Nunca inserte alimentos con la mano en el aparato. NUNCA introduzca las manos en el aparato. Siempre use el presador provisto.
14. NO opere la picadora si la bandeja no está en su lugar.
15. Evite el contacto con piezas en movimiento. Espere hasta que las partes en movimiento se detengan antes de quitar las partes del aparato.
16. NUNCA deje el aparato sin supervisión.
17. Apague el aparato antes de quitar o poner cualquier accesorio.
18. NO intente moler huesos u otros artículos duros.
19. No opere el aparato por más de 15 minutos a la vez. Después de 15 minutos de uso continuo, deje que el aparato descanse unos minutos antes de volverlo a usar.
20. Este aparato tiene un enchufe polarizado (una hoja del enchufe es más ancha que la otra). Para reducir el riesgo de una descarga eléctrica, este enchufe se inserta en un tomacorriente polarizado de solo una manera. Si el enchufe no entra totalmente en el tomacorriente, voltee el enchufe. Si todavía no entra, contacte a un electricista certificado. NO modifique el enchufe en modo alguno.
21. PRECAUCIÓN: En orden de evitar situaciones peligrosas, este aparato nunca debe estar conectado a un temporizador.

INSTRUCCIONES DEL TOMACORRIENTE

Para reducir el riesgo de descarga eléctrica, el enchufe debe entrar completamente en el tomacorriente. Si las hojas no entran en el tomacorriente, intente volteando el enchufe. Si todavía no entra, contacte a un electricista certificado. NO modifique el enchufe en modo alguno.



¡ADVERTENCIA!

NUNCA opere la picadora sin la bandeja colocada de manera segura en su lugar.

Para evitar lesiones serias o fatales, **NUNCA** meta la mano dentro de cualquier entrada de una picadora.

SIEMPRE use el prensador para introducir alimentos dentro del cabezal de la picadora.

Lea y comprenda todas las instrucciones y advertencias antes de usar esta unidad.

¡PRECAUCIÓN! Es importante seguir las Pautas de seguridad alimentaria de este manual. Para conocer las instrucciones actualizadas visite el sitio web del Departamento de Agricultura de Estados Unidos (USDA).



LISTA DE COMPONENTES

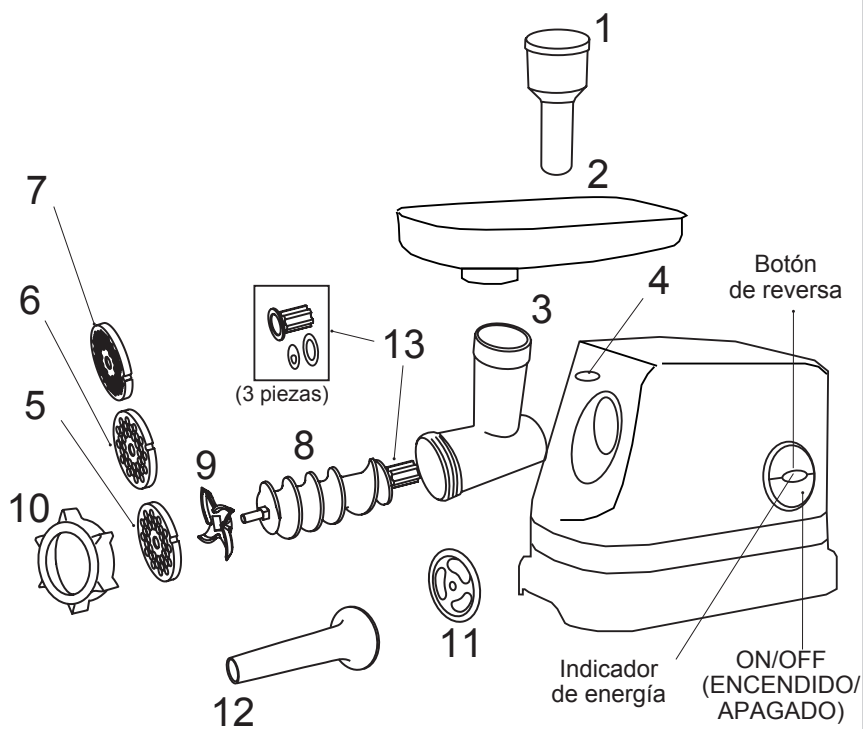
NÚMERO DE DIAGRAMA	DESCRIPCIÓN DE LA PIEZA	#5	#8
1	PRESADOR	33-0877	33-0877
2	BANDEJA DE ACERO INOXIDABLE	33-1124	33-1124
3	CABEZAL DE LA PICADORA	33-1109	33-0809
4	BOTÓN PARA SOLTAR EL CABEZAL	33-1108	33-1108
5	PLACA PICADORA DE ACERO INOXIDABLE DE 8 MM PARA PICADO GRUESO	33-1110	33-0810
6	PLACA PICADORA DE ACERO INOXIDABLE DE 4.5 MM PARA PICADO MEDIANO	33-1104	33-0804
7	PLACA PICADORA DE ACERO INOXIDABLE DE 3 MM PARA PICADO FINO	N/A	33-0803
7	TORNILLO SINFIN	33-1102	33-0802-N
8	CUCHILLA DE ACERO INOXIDABLE PARA LA PICADORA	33-1145	33-0845
9	TUERCA DE SEGURIDAD DELANTERA	33-1142	33-0842
10	ESPACIADOR DE EMBUTIDO	33-1176	33-0876
11	EMBUDO DE LLENADO	33-1120	33-0818
12	IMPULSOR DEL TORNILLO SINFIN	33-1194	33-1194

Si cualquier componente de esta unidad está roto, si no funciona debidamente, o si necesita un instructivo de repuesto, visítenos en la Web en

WestonProducts.com

O llame a Weston Brands LLC larga distancia sin costo **1-800-814-4895**

De lunes a viernes, de 8:00 am a 5:00 pm tiempo del ET. Fuera de Estados Unidos llame al 001-216-901-6801



¡ADVERTENCIA! Antes de limpiar, ensamblar o desarmar la picadora, asegúrese de que el motor de la picadora esté APAGADO y que se haya RETIRADO EL ENCHUFE DEL TOMACORRIENTE O LA FUENTE DE ALIMENTACIÓN!

LIMPIEZA

¡ADVERTENCIA! Antes de limpiar, ensamblar o desarmar el aparato, asegúrese de que el aparato esté **APAGADO** y que se haya **RETIRADO EL ENCHUFE DEL TOMACORRIENTE O LA FUENTE DE ALIMENTACIÓN!**

1. Desatornille la tuerca de seguridad y retire todas las partes del cabezal de la picadora.

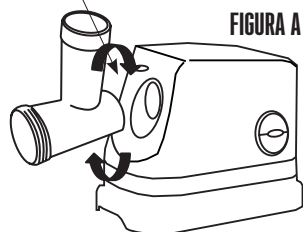
2. Para quitar el cabezal de la picadora, presione el botón de liberación del cabezal y gire el cabezal de la picadora en el sentido de las manecillas del reloj (**FIGURA A**).

3. Lave todas las piezas que estuvieron en contacto con los alimentos con agua caliente jabonosa. Enjuague con agua limpia. Seque inmediatamente. Las piezas de la picadora no son aptas para el lavavajillas. **NO** use cloro.

4. Antes y después de usar la picadora, lubrique totalmente el cabezal de la picadora, las placas picadoras y la cuchilla con un aerosol de silicona apta para alimentos.

5. Limpie todo el cuerpo principal con una toalla suave y húmeda. Seque inmediatamente. **NO** sumerja el cuerpo principal de la picadora en agua u otro líquido.

Botón para
soltar el cabezal



¡ADVERTENCIA!
LEA Y COMPRENDA
TODAS LAS
INSTRUCCIONES Y
ADVERTENCIAS ANTES
DE USAR ESTA UNIDAD.
¡Nunca deje este aparato
sin supervisión!

¡ADVERTENCIA!

NUNCA opere la picadora sin la bandeja colocada de manera segura en su lugar. Para evitar lesiones serias o fatales, **NUNCA** meta la mano dentro de cualquier entrada de una picadora.

SIEMPRE use el prensador para introducir alimentos dentro del cabezal de la picadora. Lea y comprenda todas las instrucciones y advertencias antes de usar esta unidad.

ENSAMBLADO DE LA PICADORA

¡ADVERTENCIA! Antes de limpiar, ensamblar o desarmar el aparato, asegúrese de que el aparato esté **APAGADO** y que se haya **RETIRADO EL ENCHUFE DEL TOMACORRIENTE O LA FUENTE DE ALIMENTACIÓN!**

1. Quite la tuerca de seguridad, la placa picadora, la cuchilla y el tornillo sinfín del cabezal de la picadora antes de instalar el cabezal de la picadora en el cuerpo principal.

2. Alinee las muescas de la placa picadora con las pestañas en el cuerpo principal.

3. Presione el cabezal de la picadora contra el motor y gírelo en sentido contrario a las manecillas del reloj hasta que se asegure en su lugar (**FIGURA B**).

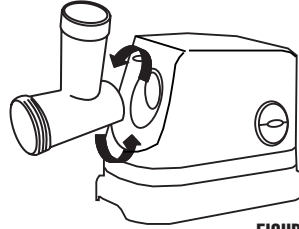


FIGURA B

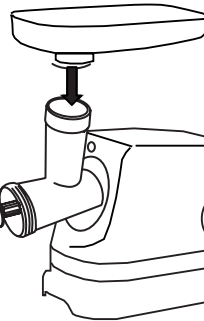
4. Inserte el tornillo sinfín en el cabezal de la picadora, con el extremo del impulsor del tornillo sinfín primero (**FIGURA C**).

5. Coloque la cuchilla picadora en la parte cuadrada del pasador del tornillo sinfín. Los bordes de corte (lado plano) de la cuchilla deben mirar hacia afuera (**FIGURA D**).



FIGURA C

6. Coloque la placa picadora de su elección en el pasador del tornillo sinfín. Asegúrese que la muesca de la placa picadora encaja en la clavija de posición del cabezal de la picadora (**FIGURA C**).



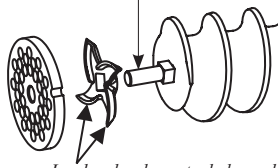
7. Gire la tuerca de seguridad en el sentido de las manecillas del reloj en el extremo del cabezal de la picadora hasta que toque la placa picadora y esté ajustado. **NO** ajuste de más la tuerca de seguridad.



8. Coloque la bandeja en la parte vertical del cabezal de la picadora. **¡NUNCA** use la picadora sin la bandeja instalada!

Clavija del
Tornillo sinfín

FIGURA D



Los bordes de corte de la cuchilla mirando hacia afuera.

¡ADVERTENCIA!

LEA Y COMPRENDA
TODAS LAS
INSTRUCCIONES Y
ADVERTENCIAS ANTES
DE USAR ESTA UNIDAD.
¡Nunca deje este aparato
sin supervisión!

INSTRUCCIONES PARA PICAR

¡ADVERTENCIA! Antes de limpiar, ensamblar o desarmar el aparato, asegúrese de que el aparato esté **APAGADO** y que se haya **RETIRADO EL ENCHUFE DEL TOMACORRIENTE O LA FUENTE DE ALIMENTACIÓN!**

1. Siga las "Grinder Assembly Instructions" (instrucciones de ensamblado de la picadora) para ensamblar totalmente la picadora incluyendo la bandeja.

NOTA: Es mejor picar la carne usando primero la placa picadora de 8 mm. Si usted desea un picado más fino de la carne, introduzca carne picada gruesa a través de la picadora por segunda vez usando la placa picadora de 4.5 mm o de 3 mm.

2. Recorte de la carne todos los cordeles, tendones, huesos, balines, etc.

3. Para obtener los mejores resultados asegúrese de que toda la carne se haya enfriado a una temperatura entre 32 y 34 °F (0 a 1 °C) antes de picarla. **NO PERMITA QUE LA CARNE QUEDE A TEMPERATURA AMBIENTE DURANTE MÁS TIEMPO DE LO ABSOLUTAMENTE NECESARIO.** Siga cuidadosamente las instrucciones de "Food Safety" (seguridad de los alimentos) según lo indicado por la USDA.

4. Corte la carne en trozos lo suficientemente pequeños para que quepan en el conducto de entrada. Cubos de aproximadamente 1 pulgada (2.5 cm).

5. Coloque los cubos de carne a picar en la bandeja. No llene de más la bandeja, coloque justo lo necesario de carne para dejar abierta el área del conducto de entrada.

6. Coloque un plato o tazón para recolectar la carne picada en el extremo del cabezal de la picadora (**FIGURA E**).

7. Asegúrese que la picadora este en la posición de "OFF" (apagado). Conecte la picadora al suministro de energía.

8. Presione el botón "ON" (encender) de la picadora. Cuidadosamente comience a introducir los cubos de carne en el conducto de entrada. **USE ÚNICAMENTE EL PENSADOR PARA EMPUJAR LA CARNE DENTRO DEL CABEZAL, NO USE SUS DEDOS O CUALQUIER OTRO OBJETO.**

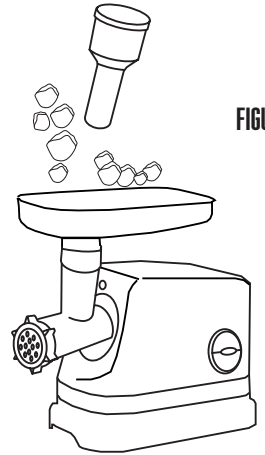


FIGURA E

NOTA:

Para prevenir el sobrecalentamiento, no opere la **picadora** por más de 15 minutos cada vez.

Permita que la **picadora** se enfríe periódicamente.

¡ADVERTENCIA!

NUNCA opere la picadora sin la bandeja colocada de manera segura en su lugar. Para evitar lesiones serias o fatales, **NUNCA** meta la mano dentro de cualquier entrada de una picadora.

SIEMPRE use el pensador para introducir alimentos dentro del cabezal de la picadora. Lea y comprenda todas las instrucciones y advertencias antes de usar esta unidad.

ENSAMBLADO DE LA EMBUTIDORA

¡ADVERTENCIA! Antes de limpiar, ensamblar o desarmar el aparato, asegúrese de que el aparato esté **APAGADO** y que se haya **RETIRADO EL ENCHUFE DEL TOMACORRIENTE O LA FUENTE DE ALIMENTACIÓN!**

1. Quite la tuerca de seguridad, placa picadora, cuchilla y el tornillo sinfín del cabezal de la picadora antes de instalar el cabezal de la picadora al cuerpo principal.

2. Alinee las muescas de la placa picadora con las pestañas en el cuerpo principal.

3. Presione el cabezal de la picadora contra el motor y gírelo en sentido contrario a las manecillas del reloj hasta que se asegure en su lugar (**FIGURA F**).

4. Inserte el tornillo sinfín en el cabezal de la picadora, el extremo del impulsor del tornillo sinfín primero (**FIGURA G**).

5. Coloque el espaciador de embutido dentro del cabezal de la picadora. Asegúrese que la muesca del espaciador de embutido encaja con la clavija de posición del cabezal de la picadora.

6. Introduzca el embudo de llenado a través de la tuerca de seguridad y luego en el cabezal de la picadora.

7. Gire la tuerca de seguridad en el sentido de las manecillas del reloj en el extremo del cabezal de la picadora hasta que toque el embudo de llenado. **NO** ajuste de más la tuerca de seguridad.

8. Coloque la bandeja en la parte vertical del cabezal de la picadora. **¡NUNCA** use la picadora sin la bandeja instalada!

FIGURA F

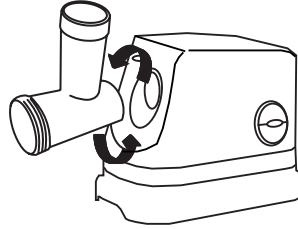
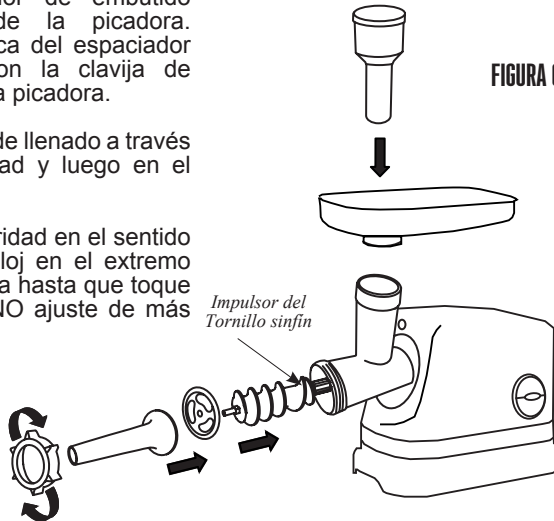


FIGURA G



¡ADVERTENCIA!

LEA Y COMPRENDA
TODAS LAS
INSTRUCCIONES Y
ADVERTENCIAS ANTES
DE USAR ESTA UNIDAD.
¡Nunca deje este aparato
sin supervisión!

INSTRUCCIONES PARA EMBUTIR

¡ADVERTENCIA! Antes de limpiar, ensamblar o desarmar el aparato, asegúrese de que el aparato esté **APAGADO** y que se haya **RETIRADO EL ENCHUFE DEL TOMACORRIENTE O LA FUENTE DE ALIMENTACIÓN!**

1. Después de picar la carne de acuerdo a las "Grinding Instructions" (instrucciones para picar), mezcle la carne picada con los sazonadores para salchicha.
2. Para ensamblar totalmente la picadora como un embutidor incluyendo la bandeja, siga las "Stuffer Assembly Instructions" (Instrucciones para ensamblar el embutidor).

NOTA: Aunque una persona puede rellenar salchichas con esta picadora, se recomienda que dos personas realicen esta operación.

3. Coloque la carne picada y sazonada en la bandeja. No llene de más la bandeja, coloque justo lo necesario de carne para dejar abierta el área del conducto de entrada.

4. Deslice un envoltorio de salchicha sobre el embudo de llenado. Para más información vea la sección de este manual "Sausage Information/Casing" (Información de salchicha/envoltorio).

5. Desplace el envoltorio de 4 a 6 pulgadas (10 a 15 cm) del extremo del embudo de llenado y amarre un nudo al final del envoltorio. Si usa un diámetro grande de envoltorio fibroso, sostenga fuertemente el extremo cerrado del envoltorio contra del extremo del embudo de llenado (**FIGURA H**).

6. Asegúrese que la picadora este en la posición de "OFF" (apagado). Conecte la picadora al suministro de energía.

7. Presione el botón "ON" (encender) de la picadora. Cuidadosamente comience a introducir la carne picada en el conducto de entrada. **USE ÚNICAMENTE EL PRENSADOR PARA EMPUJAR LA CARNE DENTRO DEL CABEZAL, NO USE SUS DEDOS O CUALQUIER OTRO OBJETO**

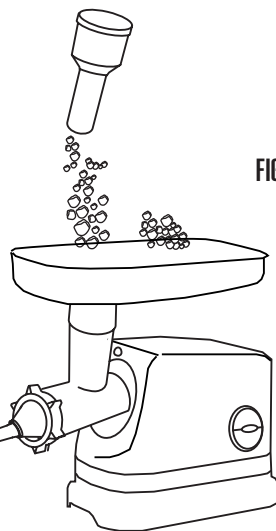


FIGURA H

NOTA:

Para prevenir el sobrecalentamiento, no opere la **picadora** por más de 15 minutos cada vez. Permita que la **picadora** se enfríe periódicamente.

¡ADVERTENCIA!

NUNCA opere la picadora sin la bandeja colocada de manera segura en su lugar. Para evitar lesiones serias o fatales, **NUNCA** meta la mano dentro de cualquier entrada de una picadora.

SIEMPRE use el prensador para introducir alimentos dentro del cabezal de la picadora. Lea y comprenda todas las instrucciones y advertencias antes de usar esta unidad.

8. Sostenga la tripa en el lugar con una mano mientras alimenta la mezcla de la salchicha a través de la picadora. Al irse llenando el envoltorio de carne, colóquelo con cuidado en una superficie limpia y seca.

NOTA: Use una superficie mojada al utilizar envoltorios naturales.

9. No llene las últimas 3 a 4 pulgadas (8 a 10 cm) del envoltorio. Después de que se llene todo el envoltorio, tuerza el extremo abierto para cerrarlo, luego amarre los extremos del envoltorio para cerrarlos. Torcer para formar los eslabones.

10. Siempre que embuta salchichas llene el envoltorio lentamente para evitar burbujas de aire. Si aparecen burbujas de aire en la salchicha use una aguja para picar las burbujas. Los agujeros pequeños se sellarán naturalmente.

USANDO LA FUNCIÓN DE REVERSA

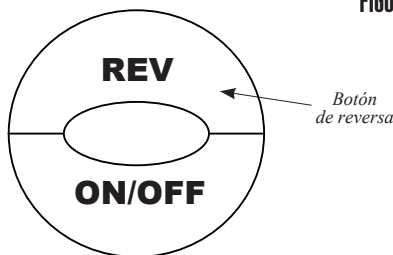
La función de reversa se debe usar únicamente por cortos periodos para ayudar a liberar un atasco.

1. Permita que el motor de la picadora llegue a un PARO TOTAL antes de operarlo en reversa "REV".

2. Presione el botón Rev (**FIGURA I**).

NOTA: NUNCA opere la picadora en reversa por más de 5 segundos.

3. Si la picadora sigue atascada después de usar la función de reversa, ponga la picadora en posición "OFF", desconecte la picadora de la fuente de alimentación. Desarme el cabezal de la picadora y límpiela de acuerdo a las "Cleaning Instructions" (instrucciones de limpieza). Vuelva a ensamblar la picadora y siga las "Grinding Instructions/Stuffing Instructions" (instrucciones para picar/instrucciones para embutir).



PROTECCIÓN DE SOBRECARGA TERMAL

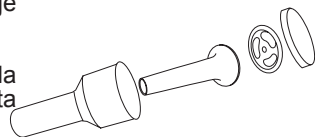
La picadora eléctrica de carne de uso pesado se apagará automáticamente si se sobrecalienta. Si esto ocurre:

1. Apague la picadora y desconecte el cable de alimentación.
2. Quite el cabezal de la picadora del cuerpo principal.
3. Espere hasta que la picadora se enfríe o alrededor de 1 hora. Mientras la picadora se enfría mantenga la carne refrigerada. Desarme y retire la carne del cabezal si es necesario.
4. Vuelva a ensamblar la picadora y continúe operando normalmente.
5. Para prevenir el sobrecalentamiento no opere la picadora por más de 15 minutos a la vez. Permita que la picadora se enfríe periódicamente.

SUGERENCIAS:

¡ADVERTENCIA! Antes de limpiar, ensamblar o desarmar el aparato, asegúrese de que el aparato esté **APAGADO** y que se haya **RETIRADO EL ENCHUFE DEL TOMACORRIENTE O LA FUENTE DE ALIMENTACIÓN!**

- El prensador provisto sirve también como una manera limpia y compacta de guardar el embudo de llenado y el espaciador de embutido.
- Siempre que quiera cambiar las placas picadoras, se debe quitar el cabezal **TOTALMENTE** para evitar que entre carne en la carcasa del eje de transmisión del motor.
- Para prevenir el sobrecalentamiento no opere la picadora por más de 15 minutos a la vez. Permita que la picadora se enfríe periódicamente.
- **NO** ajustar de más la tuerca de seguridad delantera. Debe quedar firmemente ajustada.
- Asegúrese que las hojas de la cuchilla picadora estén planas contra la placa picadora.
- **NO** opere la picadora sin carne en el cabezal. Operar la picadora mientras está seca puede dañar el cabezal y el tornillo sinfín.
- Siempre lubrique el cabezal, las placas picadoras y la cuchilla picadora con un aerosol de silicona apta para alimentos.
- **NO** pique huesos ni ningún otro objeto duro.



SEGURIDAD DE LOS ALIMENTOS

Hay que seguir ciertas reglas básicas al manejar alimentos. Las reglas son **COCINAR**, **SEPARAR**, **LIMPIAR** y **ENFRIAR**.

COCINAR

Es muy importante cocinar los alimentos a una temperatura interna que destruya cualquier bacteria que esté presente. Últimamente se ha puesto mucha atención en la higiene de las hamburguesas y otros alimentos elaborados con carne molida y con razón. Cuando se muele la carne, las bacterias presentes en la superficie se revuelven en toda la mezcla de la carne molida. Si la carne molida no se cuece a por lo menos 71°C a 74°C (160°F - 165°F), no se destruyen las bacterias y hay una buena posibilidad de enfermarse.

Las piezas de carne sólida, como los filetes y las chuletas, no tienen en su interior bacterias peligrosas como le E. coli, por lo que pueden servirse menos cocidas. Aun así, cualquier corte de vacuno debe cocinarse a una temperatura interna de por lo menos 63°C (145°F) (medio cocido). La temperatura recomendable para las aves es de 75°C (165°F) y los cortes sólidos de carne de puerco deben cocinarse a 71°C (160°F).

SEPARAR

SIEMPRE DEBE separar los alimentos que se comen crudos y los que se vayan a cocer antes de comerse. La contaminación cruzada se presenta cuando la carne o los huevos crudos entran en contacto con alimentos que se van a consumir sin cocimiento. Esta es una importante causa de intoxicaciones. Siempre use una doble envoltura para la carne cruda y colóquela en la repisa más baja del refrigerador, para que no haya manera de que su jugo gotee en las verduras frescas. Use la carne cruda 1 o 2 días después de comprarla, o congélela para guardarla más tiempo. Descongele la carne congelada en el refrigerador, no en el mesón de la cocina.

Cuando ase o cocine carne o pescado crudo, coloque la carne ya cocida en un platón limpio. No use el mismo platón que usó para llevar la carne al asador. Lave los utensilios usados en el asador después de haber volteado los alimentos por última vez, así como las cucharas y espátulas usadas para freír o para voltear la carne al estarla cocinando.

No olvide lavarse las manos después de manejar carne o huevos crudos. Es absolutamente necesario lavarse las manos con agua y jabón o usar una toallita húmeda antibacteriana después de tocar carne o huevos crudos. No lavarse las manos o las superficies cuando se cocina es una causa importante de contaminación cruzada.

LIMPIAR

Lávese las manos y las superficies de trabajo con frecuencia mientras esté cocinando. Lávese con agua tibia y jabón durante por lo menos 15 segundos; después séquese con una toalla de papel.

ENFRIAR

Es muy importante enfriar los alimentos. La zona de peligro para la multiplicación de bacterias está entre los 4 °C y 60 °C (40 °F - 140 °F). El refrigerador debe estar a 4 °C (40 °F) o menos; el congelador debe estar a -17 °C (0 °F) o menos. Regla básica: sirva calientes los alimentos calientes y sirva fríos los alimentos fríos. Use platos calientes para mantener caliente la comida a la hora de servirla. Use baños de agua con hielo para mantener fría la comida fría. Nunca deje ningún alimento a temperatura ambiente por más de 2 horas; o por más de 1 hora si la temperatura ambiente es de 32 °C (90 °F) o superior. Cuando empaque para un picnic, asegúrese de que la comida ya esté fría cuando la meta en la canasta aislada. La canasta no enfría la comida; sólo la mantiene fría si está debidamente empacada con hielo. Los alimentos cocidos calientes deben colocarse en recipientes bajos y refrigerarse de inmediato para que se enfríen rápidamente. No olvide cubrir los alimentos una vez que se enfríen..

NOTA: Debe tener especial consideración al usar venado y otra carne de caza, ya que puede contaminarse durante la preparación de campo. El venado suele mantenerse a temperaturas que podrían permitir el crecimiento de bacterias, como cuando se transporta. Consulte con el Departamento de Carnes y Aves de la USDA si tiene más preguntas o quiere más información sobre higiene de carne y alimentos.

INFORMACIÓN DE LA SALCHICHA

SELECCIÓN DE CARNE PARA HACER SALCHICHAS

La elaboración de salchichas ha evolucionado a lo largo de muchos años y generaciones, y como resultado, hay un sinnúmero de tipos de salchichas que puede hacer usando los ingredientes básicos como carne, grasa y algunas especias cuidadosamente combinadas. A continuación se presentan algunos lineamientos sencillos que le ayudarán a elaborar salchichas con el mejor sabor posible.

Se puede utilizar cualquier tipo de carne para elaborar embutidos: carne de cerdo, de res, de bisontes, de alces y de caribúes, incluso con la de antílope se hacen excelentes salchichas. En la preparación de la carne de venado o de otras carnes rojas de caza es importante quitar toda la grasa de la carne, ya que el sebo de la carne roja de caza se vuelve rancio en tan sólo cinco días. Reemplace la grasa, con grasa de cerdo o de vaca, dependiendo del tipo de producto que esté elaborando, en una proporción de 0.5 kg (1 lb) de grasa por cada 1.8 kg (4 lb) de carne de caza.

El contenido de grasa de la salchicha afectará el sabor, la textura, las características de cocción y la vida útil de su producto. La mayoría de las salchichas comerciales tienen un contenido de grasa de alrededor del 20%. El uso de menos de 12% de grasa dará lugar a una salchicha muy seca a la degustación, mientras que con más del 20% puede dar como resultado una salchicha sin sabor y pegajosa que será difícil de cocinar.

CURADO

Es importante curar adecuadamente las carnes para conservarlas, y destruir los microorganismos indeseables en las superficies de la carne que causan su descomposición así como enfermedades derivadas de ésta. Hay muchas medidas que son de ayuda en este proceso, como el ahumado, la cocción, el secado, la refrigeración, y la adición de ingredientes para curado. Los medios más antiguos para lograr esto eran mediante la introducción de la sal en la carne. La resistencia de las bacterias a la sal varía ampliamente entre los diferentes tipos de bacterias. El crecimiento de algunas bacterias se inhibe por concentraciones de sal tan bajas como el 3% en por ejemplo la Salmonela, mientras que otros tipos son capaces de sobrevivir en concentraciones mucho más altas de sal, por ejemplo el estafilococo. Afortunadamente, el crecimiento de muchos organismos no deseados que normalmente se encuentran en los productos de carne y de aves de corral curadas se inhibe a concentraciones bajas de sal. El curado moderno se basa en nitratos y es muy científico. Adquiera Sal rosa para curar Weston (02-0000-W) y siga las instrucciones para asegurar que está curando adecuadamente su salchicha casera.

FORRO

Weston ofrece una variedad completa de envoltorios. La elección correcta depende de su la preferencia personal, así como del tipo de salchicha que desea elaborar. Para la mayoría de las salchichas, sus opciones son naturales o de colágeno. No deje que los nombres le engañen; los forros de colágeno no son un producto sintético. Están hechos de piel de res y otros tejidos. Los forros de colágeno son uniformes en tamaño y textura y casi no requieren preparación. Los forros "naturales" son los intestinos de cordero, de ovejas, de cerdos o de res. Son menos uniformes en tamaño y requieren una preparación. También hay forros fibrosos no comestibles que se utilizan para algunas variedades de salchichas y mortadelas ahumadas. También hay envoltorios fibrosos no comestibles que son usados más comúnmente para salchichón y bolonia

TIPOS DE SALCHICHAS

La mayoría de las salchichas caen dentro de una de cuatro categorías: Frescas, ahumadas, cocidas o secas. Todas las salchichas, excepto las secas, requieren ser refrigeradas para su almacenamiento. También hay una subcategoría de salchichas ahumadas crudas.

Entre las salchichas ahumadas frescas y las crudas, encontrará sabores como kielbasa o salchicha polaca, salchicha italiana, salchichas para desayuno y muchos otros. Las salchichas ahumadas frescas y crudas requieren cocción antes de comerse y también requieren de almacenamiento refrigerado.

Las salchichas ahumadas y las cocidas incluyen al salami, a la mortadela, a los siempre populares perros calientes y a muchas otras. El ahumado adecuado requiere un ahumadero o un ahumador. Weston ofrece ahumadores de propano para estar al aire libre en varios tamaños (41-0701-W, 41-0301-W, o 41-0401-W). La mayoría de las salchichas ahumadas se calientan antes de servir. Muchas personas piensan que una salchicha ahumada va a durar mucho más tiempo sin echarse a perder, pero esto no es cierto. Las salchichas ahumadas deben ser tratadas de la misma manera que las salchichas frescas en cuanto al almacenamiento. Las salchichas secas requieren un tiempo de procesamiento más largo, ya que se secan al aire durante un largo período de tiempo. Las salchichas curadas en seco incluyen salami, chorizo y pepperoni, entre otras. Las condiciones en las que se seca la carne son muy exigentes; la temperatura, el tiempo y la humedad deben ser monitoreados cuidadosamente para obtener un producto seguro y delicioso.

ALMACENAMIENTO

Recomendamos sellar al vacío sus salchichas frescas, luego almacenarlas en el refrigerador (por corto tiempo) o en el congelador (por largo tiempo) para obtener el mejor sabor. Weston fabrica diversas selladoras al vacío. Pida su selección al vendedor donde compró esta unidad. Almacene los productos curados secos y sin refrigerar en papel u otra envoltura transpirable.



UN AÑO DE GARANTÍA WESTON LIMITADA

Esta garantía aplica a los productos que se compran y usan en los EE. UU. y Canadá, y que se registraron adecuadamente dentro de 30 días de la fecha de compra original. Esta es la única garantía expresa para este producto y reemplaza cualquier otra garantía o condición. Este producto está garantizado contra defectos materiales y de fabricación por un periodo de un (1) año a partir de la fecha de compra original. Durante este periodo, su único recurso es la reparación o sustitución de este producto o de cualquier componente que se encuentre defectuoso, a nuestra elección.

Para registrar su producto, complete el formulario en línea en www.WestonProducts.com/Warranty

Esta garantía no cubre productos no registrados, reparaciones o servicios a productos no autorizados, productos vendidos "tal cual" por minoristas, vidrio, filtros, desgaste por uso normal, uso que no sea conforme a las instrucciones impresas o daño al producto como resultado de un accidente, alteración, abuso o mal uso. Esta garantía se extiende únicamente al comprador consumidor original o quien reciba el producto como regalo y no es transferible. Guarde el recibo de compra original ya que se requiere de un comprobante de compra para hacer un reclamo de garantía. Esta garantía es nula si el producto es sujeto a cualquier voltaje u forma de onda que no sea la que se indica en la etiqueta de especificaciones (p. ej., 120 V ~ 60 Hz).

Excluimos todo reclamo por daños especiales, incidentales o que resulten como consecuencia del incumplimiento de la garantía expresa o implícita. Toda responsabilidad se limita al monto del precio de compra. Toda garantía implícita, incluyendo cualquier garantía legal o condición de comerciabilidad o aptitud para un propósito en particular, se niega excepto en la medida que lo prohíbe la ley, en cuyo caso dicha garantía o condición se limita a la duración de esta garantía por escrito. Esta garantía le otorga derechos legales específicos. Puede tener otros derechos legales que varían según donde vive. Algunos estados o provincias no permiten limitantes en garantías implícitas o daños especiales, incidentales o consecuentes, por lo tanto, es posible que las limitaciones mencionadas anteriormente no apliquen para usted.

Antes de devolver el producto para cualquier reparación o servicio: debe estar limpio y libre de partículas de alimentos u otra suciedad; de otra manera, se le devolverá o aplicará un cargo de 50 USD por limpieza, a nuestra elección.

Para reclamar una garantía, visite www.WestonProducts.com/Contact o llame al 1.800.814.4895 en los EE. UU. o al 001.216.901.6801 fuera de los EE. UU., de lunes a viernes de 8 a. m. a 5 p. m. hora del este. Usted es responsable de todos los costos asociados con enviarnos el producto con el flete prepagado.

Si el producto califica para una reparación o un reemplazo bajo garantía, asumiremos el costo de devolverle el producto. No somos responsables por los daños resultantes del envío.

Para trabajo fuera de garantía: llame al 1.800.814.4895 dentro de los EE. UU. o al 001.216.901.6801 fuera de los EE. UU., de lunes a viernes de 8 a. m. a 5 p. m. hora del Este, para obtener un número de autorización de devolución de mercancía (Return Merchandise Authorization, RMA). Rechazaremos toda devolución sin número de RMA. Aplicaremos un cargo de 35 USD/hora por todo trabajo de diagnóstico, servicio, reparación o procesamiento. No iniciaremos ningún servicio o trabajo de reparación sin autorización previa. Usted es responsable de todos los costos asociados con enviarnos el producto con el flete prepagado y con nuestra devolución hacia usted.



WESTON

RECONNECT WITH REAL FOOD



HACHOIR À VIANDE

n° 5 de 500 watts ET n° 8 de 575 watts
ET POUSSOIR À SAUCISSES

33-1101-W & 33-1201-W

PARCE QUE NOS PRODUITS BÉNÉFICIENT DE PERFECTIONNEMENTS CONSTANTS
APPORTÉS EN USINE, LES ILLUSTRATIONS PRÉSENTES PEUVENT ÊTRE LÉGÈREMENT
DIFFÉRENTES DU PRODUIT REÇU. 080116

⚠ IMPORTANTES RÈGLES DE SÉCURITÉ

LIRE ET COMPRENDRE COMPLÈTEMENT TOUTES LES DIRECTIVES ET AVERTISSEMENTS AVANT D'UTILISER CE PRODUIT. LE PLUS IMPORTANT EST VOTRE SÉCURITÉ! LE DÉFAUT D'OBSERVER LES PROCÉDURES ET MISES EN GARDE PEUT ENTRAÎNER DES BLESSURES GRAVES OU DES DOMMAGES MATÉRIELS. N'OUBLIEZ PAS : VOTRE SÉCURITÉ PERSONNELLE EST VOTRE RESPONSABILITÉ!

1. NE PAS utiliser le Hachoir sans le Plateau fixé en place.
2. TOUJOURS DÉBRANCHER le Hachoir de la source d'alimentation avant l'entretien, le changement d'accessoires ou le nettoyage de l'appareil.
3. Brancher le Hachoir dans une prise de courant murale standard de 120 Volt, 60 Hz.
4. NE PAS UTILISER le Hachoir si le Cordon d'alimentation, la Fiche ou toutes autres pièces sont endommagées. Appeler le Service à la clientèle si le Cordon d'alimentation ou le Hachoir est endommagé. NE PAS TENTER DE REMPLACER LE CORDON. Assurez-vous de ne pas laisser pendre le Cordon d'alimentation dans votre zone de travail. Vérifier que toutes les pièces fonctionnent correctement, et exécutez les fonctions prévues. Vérifier l'alignement des pièces en mouvement ou toutes autres conditions qui peuvent affecter le fonctionnement.
5. NE JAMAIS utiliser des accessoires ou des pièces d'autres fabricants. Le faire ANNULERA VOTRE GARANTIE et risque de provoquer un incendie, un choc électrique ou des blessures.
6. POUR PROTÉGER CONTRE LE RISQUE DE CHOC ÉLECTRIQUE : NE PAS IMMERGER LE CORPS PRINCIPAL DU HACHOIR DANS DE L'EAU OU AUTRE LIQUIDE. S'ASSURER QUE LE HACHOIR EST DÉBRANCHÉ DE LA SOURCE D'ALIMENTATION AVANT LE NETTOYAGE. Laver toutes les pièces à la main et bien les sécher. Nettoyer à fond toutes les pièces qui viendront en contact avec les aliments avant d'utiliser l'appareil. NE JAMAIS rincer le Moteur du Hachoir de l'appareil sous l'eau du robinet, utiliser uniquement un chiffon humide pour nettoyer le Bloc-moteur du Hachoir.
7. Réduire le risque de démarrage accidentel. S'assurer que l'Interrupteur de mise en marche est sur la position "OFF" (ARRÊT) avant de brancher l'appareil à une source d'alimentation.
8. GARDER LES DOIGTS ÉLOIGNÉS de la Vis sans fin et des Lames de coupe À TOUS MOMENTS. NE JAMAIS INTRODUIRE LA MAIN DANS LE HACHOIR, le faire peut causer des blessures graves. TOUJOURS UTILISER LE POUSSOIR FOURNI, NE JAMAIS INTRODUIRE LES ALIMENTS À LA MAIN.
9. NE JAMAIS utiliser les doigts pour retirer les aliments du Disque pour hachage pendant que le Hachoir est en marche. CECI POURRAIT ENTRAÎNER DES BLESSURES GRAVES.
10. NE JAMAIS LAISSER LE HACHOIR SANS SURVEILLANCE. Soyez prudent, DÉBRANCHEZ le Hachoir de sa source d'alimentation avant de quitter la zone de travail. Une surveillance attentive est nécessaire quant tout appareil est utilisé à proximité d'enfants. Cet appareil ne doit PAS être utilisé par des enfants.
11. Attendre jusqu'à ce que toutes les pièces en mouvement se soient arrêtées avant d'enlever toute pièce du Hachoir ou avant de mettre le Hachoir en sens inverse.
12. ATTACHEZ EN ARRIÈRE les cheveux détachés et les vêtements lâches, et rouler les longues manches avant de se servir du Hachoir. ENLEVER cravates, bagues, montres, bracelets, ou autres bijoux avant de se servir du Hachoir.
13. S'assurer que le Hachoir est sur une surface de travail stable. S'assurer que tous les Pieds du Hachoir sont stables.
14. NE PAS tenter de broyer des os ou autres produits durs.
15. NE PAS faire marcher le Hachoir sans viande dans la Tête. Des dégâts importants à la Tête et à la Vis sans fin peuvent se produire.
16. PORTEZ UNE PROTECTION POUR LES YEUX. Portez des lunettes de sécurité. Des lunettes de tous les jours ne sont pas des lunettes de sécurité. Des lunettes de sécurité sont conformes aux exigences ANSI Z87.1. Note : des lunettes de sécurité approuvées sont marquées ou timbrées avec le code « Z87 ».
17. NE PAS utiliser à l'extérieur.
18. NE PAS utiliser le Hachoir tout en étant sous l'influence de drogues, médicaments ou alcool.
19. NE PAS laisser pendre le Cordon d'alimentation du bord de la surface de travail.
20. NE PAS tenter de se servir du Hachoir si le Hachoir lui-même est froid. La température du Hachoir doit être au moins 70c (450F) avant de commencer.
21. Le Carter d'engrenage et le Couvercle du moteur peuvent devenir CHAUDS durant l'utilisation. Ceci est normal. NE PAS toucher ces pièces durant l'utilisation ou jusqu'à ce qu'elles se refroidissent après l'utilisation.

CONSERVER CES DIRECTIVES!



MISES EN GARDE IMPORTANTES



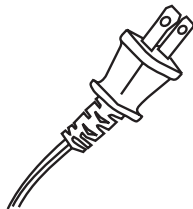
WARNING!

Lors de l'utilisation d'appareils électriques, il est toujours important de prendre des mesures de sécurité fondamentales, comprenant les suivantes :

1. LIRE TOUTES LES DIRECTIVES AVANT D'UTILISER L'APPAREIL.
2. Pour se protéger contre les risques de choc électrique, ne pas plonger ou utiliser cet appareil près de l'eau ou tout autre liquide.
3. Débrancher cet appareil de la prise de courant lorsqu'il n'est pas utilisé ou avant d'y mettre ou de retirer des pièces et avant le nettoyage.
4. La surveillance attentive d'un adulte est nécessaire quand tout appareil est utilisé à proximité d'enfants. Cet appareil ne doit PAS être utilisé par des enfants.
5. Ne JAMAIS utiliser des accessoires ou des pièces d'autres fabricants. Le faire ANNULERA VOTRE GARANTIE et pourrait entraîner un incendie, un choc électrique ou des blessures.
6. NE PAS utiliser un appareil avec un cordon ou une fiche endommagée ou après un mauvais fonctionnement ou une chute ou un dommage quel qu'il soit. De l'appareil. Retourner l'appareil au service de réparation agréé le plus proche pour la réparation ou le réglage.
7. Gardez ces directives pour référence ultérieure.
8. Vérifier si la tension indiquée sur l'appareil correspond à la tension locale avant de brancher l'appareil.
9. Bien nettoyer les pièces qui viennent en contact avec les aliments avant d'utiliser l'appareil pour la première fois.
10. NE PAS utiliser à l'extérieur.
11. NE PAS laisser pendre le cordon du bord d'une table ou d'un comptoir.
12. NE PAS laisser le cordon entrer en contact avec une surface chaude. NE PAS utiliser sur un four ou une cuisinière.
13. NE PAS utiliser les doigts pour retirer les aliments de la goulotte de sortie quand l'appareil est en cours de fonctionnement. Ne jamais introduire des aliments dans l'appareil avec la main. NE JAMAIS mettre la main dans l'appareil. TOUJOURS utiliser le Poussoir fourni.
14. NE PAS utiliser le Hachoir sans le Plateau en place.
15. Éviter le contact avec les pièces en mouvement. Attendre jusqu'à ce que les pièces en mouvement s'arrêtent de bouger avant d'enlever les pièces de l'appareil.
16. NE JAMAIS laisser l'appareil en marche sans surveillance.
17. Mettre l'appareil à l'arrêt (OFF) avant de détacher ou d'attacher tout accessoire.
18. NE PAS tenter de broyer des os, noix ou autres produits durs.
19. NE PAS utiliser l'appareil pendant plus de 15 minutes à la fois. Après 15 minutes d'utilisation continue, laisser l'appareil au repos quelques minutes avant la prochaine utilisation.
20. Cet appareil est équipé d'une fiche polarisée (une lame est plus large que l'autre). Pour réduire les risques de choc électrique, cette fiche entrera dans une prise de courant d'une seule manière seulement. Si la fiche n'entre pas complètement dans la prise de courant, tournez-la dans l'autre sens. Si elle ne rentre toujours pas entièrement, contactez un électricien qualifié. NE PAS modifier la fiche de quelque façon que ce soit.
21. MISE EN GARDE : Afin d'éviter une situation dangereuse, cet appareil ne doit jamais être branché à une minuterie.

DIRECTIVES CONCERNANT LES PRISES DE COURANT

La fiche doit entrer complètement dans une prise de courant. Si la fiche ne rentre pas, tourner-la dans l'autre sens et essayer de nouveau. Si elle ne rentre toujours pas entièrement, contactez un électricien qualifié pour inspecter et/ou mettre à jour les prises de courants dans votre maison. Ne pas modifier la fiche de quelque façon que ce soit pour la faire rentrer dans une prise de courant incompatible.



AVERTISSEMENT!

NE JAMAIS se servir du Hachoir sans le Plateau fixé en place.

Pour éviter des blessures graves ou mortelles, NE JAMAIS introduire la main dans tout orifice d'entrée du Hachoir.

TOUJOURS utiliser le Pousoir pour pousser les aliments dans la Tête du Hachoir.

Lire et comprendre complètement toutes les instructions et avertissements avant l'utilisation.

AVERTISSEMENT! TOUJOURS DÉBRANCHER la trancheuse à viande de sa source d'alimentation avant d'en faire l'entretien, de la nettoyer, de changer des accessoires ou encore lorsqu'elle n'est pas utilisée.

DESCRIPTION DE LA PIÈCE

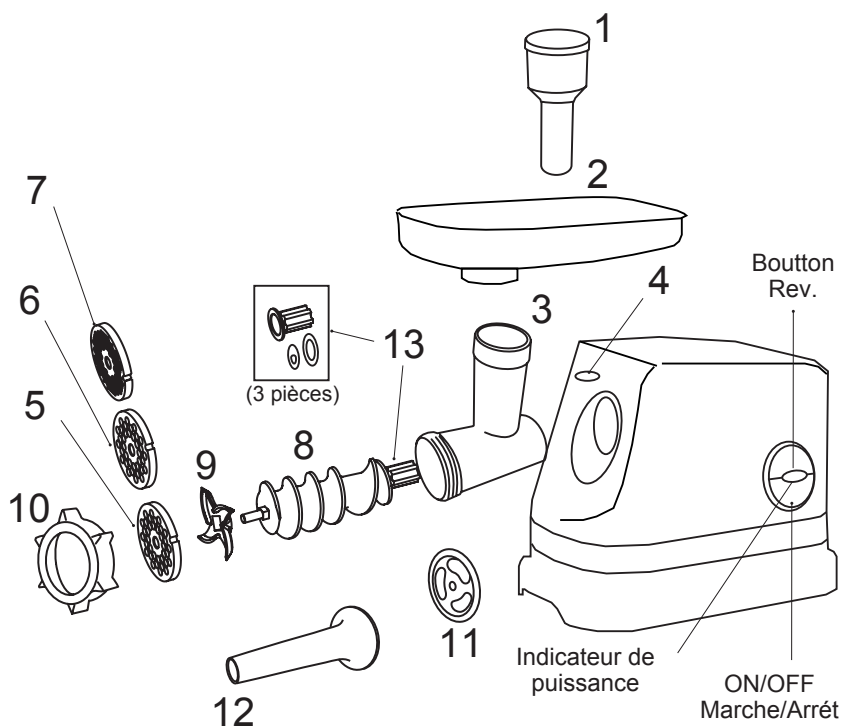
NUMÉRO DE SCHÉMA	DESCRIPTION DE LA PIÈCE	#5	#8
1	POUSSOIR	33-0877	33-0877
2	PLATEAU EN ACIER INOXYDABLE	33-1124	33-1124
3	TÊTE DE HACHOIR	33-1109	33-0809
4	BOUTON DE DÉGAGEMENT DE LA TÊTE	33-1108	33-1108
5	DISQUE POUR HACHAGE FIN EN ACIER INOXYDABLE DE 3 MM	33-1110	33-0810
6	DISQUE POUR HACHAGE MOYEN EN ACIER INOXYDABLE DE 4,5 MM	33-1104	33-0804
7	DISQUE POUR HACHAGE GROS EN ACIER INOXYDABLE DE 8 MM	N/A	33-0803
8	VIS SANS FIN	33-1102	33-0802-N
9	LAME DE HACHOIR EN ACIER INOXYDABLE	33-1145	33-0845
10	ÉCROU À ŒIL DE DEVANT	33-1142	33-0842
11	ESPACEUR À FARCE	33-1176	33-0876
12	ENTONNOIR À FARCE	33-1120	33-0818
13	ENTRAÎNEMENT DE VIS SANS FIN	33-1194	33-1194

N'hésitez pas à visiter notre site Web.WestonProduct.com/support si un composant est cassé, l'outil fonctionne mal, ou pour commander un nouveau mode d'emploi.

WestonProducts.com

Veuillez appeler Weston Brands, LLC au numéro sans frais : 1-800-814-4895

Du lundi au vendredi: de 8h00 à 17h00 ET. En dehors des États-Unis, veuillez appeler le 001-216-901-6801



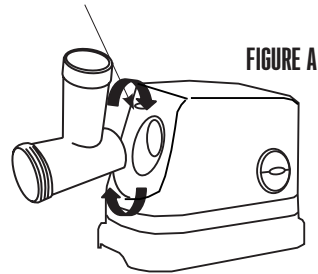
AVERTISSEMENT! TOUJOURS DÉBRANCHER la trancheuse à viande de sa source d'alimentation avant d'en faire l'entretien, de la nettoyer, de changer des accessoires ou encore lorsqu'elle n'est pas utilisée.

NETTOYAGE

AVERTISSEMENT! TOUJOURS DÉBRANCHER la trancheuse à viande de sa source d'alimentation avant d'en faire l'entretien, de la nettoyer, de changer des accessoires ou encore lorsqu'elle n'est pas utilisée.

1. Dévisser l'Écrou à œil et enlever toutes les pièces de la Tête du Hachoir.
2. Pour enlever la Tête du Hachoir, appuyer le Bouton de dégagement de la tête et tourner la Tête du Hachoir dans le sens des aiguilles d'une montre. **FIGURE A**
3. Laver toutes les pièces qui viennent en contact avec les aliments dans de l'eau savonneuse chaude. Rincer avec de l'eau claire. Sécher immédiatement. Les pièces du Hachoir ne sont pas lavables au lave-vaisselle. Ne PAS utiliser d'eau de javel.
4. Lubrifier complètement la Tête du Hachoir, les Disques pour hachage et le Couteau avec un aérosol à base de silicone de qualité alimentaire avant et après chaque utilisation.
5. Nettoyer le Corps principal avec un chiffon doux humide. Sécher immédiatement. NE PAS immerger le Corps principal du Hachoir dans l'eau ou autres liquides.

*Bouton de
dégagement de
la tête*





AVERTISSEMENT!

LIRE ET COMPRENDRE
COMPLÈTEMENT TOUTES
LES DIRECTIVES ET
AVERTISSEMENTS AVANT
D'UTILISER CE PRODUIT.
NE JAMAIS laisser l'appareil
en marche sans surveillance.

AVERTISSEMENT!

NE JAMAIS se servir du Hachoir sans le Plateau fixé en place.
Pour éviter des blessures graves ou mortelles, NE JAMAIS introduire la main dans tout orifice d'entrée du Hachoir.
TOUJOURS utiliser le Poussoir pour pousser les aliments dans la Tête du Hachoir.
Lire et comprendre complètement toutes les instructions et avertissements avant l'utilisation.

ASSEMBLAGE DU HACHOIR

AVERTISSEMENT! TOUJOURS DÉBRANCHER la trancheuse à viande de sa source d'alimentation avant d'en faire l'entretien, de la nettoyer, de changer des accessoires ou encore lorsqu'elle n'est pas utilisée.

1. Enlever l'Écrou à œil, le Disque pour hachage, le Couteau et la Vis sans fin de la Tête du Hachoir avant d'installer la Tête du Hachoir au Corps principal.
2. Aligner les encoches sur la Tête du Hachoir avec les pattes sur le Corps principal.
3. Appuyer la Tête du Hachoir contre le Moteur et la tourner dans le sens inverse des aiguilles d'une montre jusqu'à ce qu'elle se cale en place (**FIGURE B**).

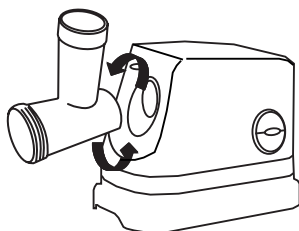


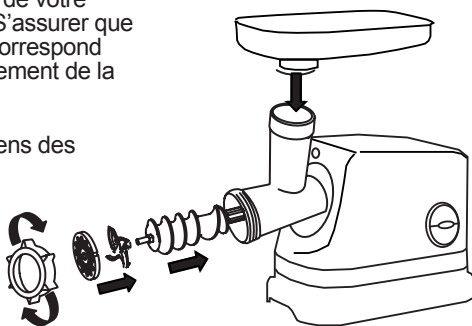
FIGURE B

4. Insérer la Vis sans fin dans la Tête du Hachoir, l'extrémité de l'Entraînement de vis sans fin en premier (**FIGURE C**).
5. Placer le Couteau du Hachoir sur la partie carrée de l'Axé de la vis sans fin. Les bords coupants (côté plat) du Couteau doivent être orientés vers l'extérieur (**FIGURE D**).
6. Placer le Disque pour hachage de votre choix sur l'Axé de la vis sans fin. S'assurer que l'encoche du Disque du Hachoir correspond bien dans la goupille de positionnement de la Tête du Hachoir (**FIGURE C**).



FIGURE C

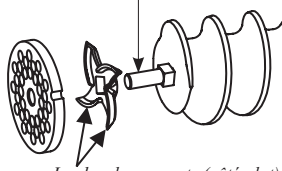
7. Tourner l'Écrou à œil dans le sens des aiguilles d'une montre dans l'extrémité filetée de la Tête du Hachoir jusqu'à ce qu'il touche le Disque du Hachoir et est bien serré. NE PAS trop serrer l'Écrou à œil.



8. Placer le Plateau sur la partie verticale de la Tête du Hachoir. NE JAMAIS utiliser le Hachoir sans le Plateau installé!

l'Axé de la vis sans fin

FIGURE D



Les bords coupants (côté plat) du Couteau doivent être orientés vers l'extérieur.



AVERTISSEMENT!

LIRE ET COMPRENDRE COMPLÈTEMENT TOUTES LES DIRECTIVES ET AVERTISSEMENTS AVANT D'UTILISER CE PRODUIT. NE JAMAIS laisser l'appareil en marche sans surveillance.

DIRECTIVES DE HACHAGE

AVERTISSEMENT! TOUJOURS DÉBRANCHER la trancheuse à viande de sa source d'alimentation avant d'en faire l'entretien, de la nettoyer, de changer des accessoires ou encore lorsqu'elle n'est pas utilisée.

1. Suivez les "Directives de Montage du Hachoir" pour assembler complètement le Hachoir y compris le Plateau.

REMARQUE : Il est préférable de hacher la viande en utilisant le Disque pour hachage de 8 mm à gros trous en premier. Si un hachage plus fin de la viande est désiré, faire passer la viande hachée avec le disque à gros trous à travers le Hachoir une deuxième fois en utilisant le Disque pour hachage fin de 4,5 mm ou 3 mm.

2. Enlever les cordons, tendons, os, balle, etc. de la viande.

3. Pour de meilleurs résultats, s'assurer que toute la viande a été mise à refroidir rapidement entre 0 et 1 °C (32-34°F) avant de l'hacher. **NE PAS LAISSER DE LA VIANDE À TEMPÉRATURE AMBIANTE PLUS LONGTEMPS QU'IL NE SOIT ABSOLUMENT NÉCESSAIRE.** Suivre de près les directives "Sécurité des aliments" définies par l'USDA.

4. Couper la viande en morceaux de taille suffisamment petite pour aller dans la Trémie. Des cubes d'environ 2,5 cm (1 po).

5. Placer les cubes de viandes à hacher dans le Plateau. Ne pas trop remplir le Plateau, placer juste assez pour laisser la surface de la Trémie ouverte.

6. Placez un plat ou un bol pour recueillir la viande hachée au bout de la Tête du Hachoir (FIGURE E).

7. S'assurer que le Hachoir est sur la position "OFF" (ARRÊT). Brancher le Hachoir à l'alimentation électrique.

8. Appuyer le Bouton du Hachoir sur "ON" (MARCHE). Commencez à mettre soigneusement les cubes de viande dans la Trémie. **UTILISER SEULEMENT LE POUSSOIR POUR POUSSER LA VIANDE DANS LA TÊTE, NE PAS UTILISER LES DOIGTS OU TOUT AUTRE OBJET.**

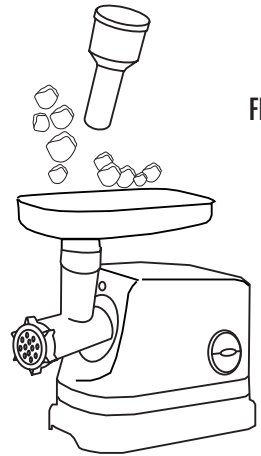


FIGURE E

REMARQUE :

Pour éviter les risques de surchauffe, ne pas utiliser le Hachoir pendant plus de 15 minutes à la fois. Laisser le Hachoir se refroidir périodiquement.

AVERTISSEMENT!

NE JAMAIS se servir du Hachoir sans le Plateau fixé en place. Pour éviter des blessures graves ou mortelles, NE JAMAIS introduire la main dans tout orifice d'entrée du Hachoir.

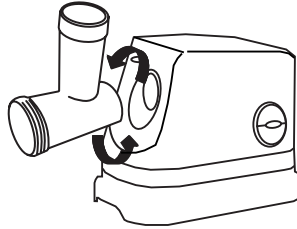
TOUJOURS utiliser le Poussoir pour pousser les aliments dans la Tête du Hachoir. Lire et comprendre complètement toutes les instructions et avertissements avant l'utilisation.

ASSEMBLAGE DU POUSSOIR

AVERTISSEMENT! TOUJOURS DÉBRANCHER la trancheuse à viande de sa source d'alimentation avant d'en faire l'entretien, de la nettoyer, de changer des accessoires ou encore lorsqu'elle n'est pas utilisée.

1. Enlever l'Écrou à œil, le Disque pour hachage, le Couteau et la Vis sans fin de la Tête du Hachoir avant d'installer la Tête du Hachoir au Corps principal.
2. Aligner les encoches dans la Tête du Hachoir avec les pattes sur le Corps principal.
3. Appuyer la Tête du Hachoir contre le Moteur et la tourner dans le sens inverse des aiguilles d'une montre jusqu'à ce qu'elle se cale en place (**FIGURE F**).

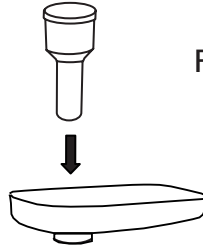
FIGURE F



4. Insérer la Vis sans fin dans la Tête du Hachoir, l'extrémité de l'Entraînement de vis sans fin en premier (**FIGURE G**).

5. Placer l'Espaceur à farce dans la Tête du Hachoir. S'assurer que l'encoche de l'Espaceur à farce correspond bien avec la goupille de serrage de la Tête du Hachoir.

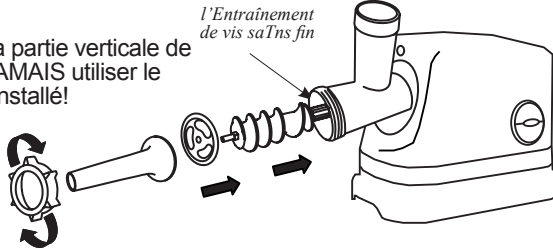
FIGURE G



6. Insérer l'Entonnoir à farce à travers l'Écrou à œil et puis sur la Tête du Hachoir.

7. Tourner l'Écrou à œil dans le sens des aiguilles d'une montre sur l'extrémité fileté de la Tête du Hachoir jusqu'à ce qu'il touche l'Entonnoir à farce. NE PAS trop serrer l'Écrou à œil.

8. Placer le Plateau sur la partie verticale de la Tête du Hachoir. NE JAMAIS utiliser le Hachoir sans le Plateau installé!



AVERTISSEMENT!

LIRE ET COMPRENDRE
COMPLÈTEMENT TOUTES
LES DIRECTIVES ET
AVERTISSEMENTS AVANT
D'UTILISER CE PRODUIT.
NE JAMAIS laisser l'appareil
en marche sans surveillance.

DIRECTIVES POUR FARCIR

AVERTISSEMENT! TOUJOURS DÉBRANCHER la trancheuse à viande de sa source d'alimentation avant d'en faire l'entretien, de la nettoyer, de changer des accessoires ou encore lorsqu'elle n'est pas utilisée.

1. Après le hachage de la viande en suivant les "Directives de hachage", mélanger la viande hachée avec l'assaisonnement à saucisse.

2. Suivre les "Directives d'assemblage du poussoir" pour assembler complètement le Hachoir comme un Outil à farcir y compris le Plateau.

REMARQUE: Bien qu'une personne puisse farcir des saucisses avec ce Hachoir, il est recommandé que deux personnes exécutent cette opération.

3. Place seasoned ground meat into the Tray.

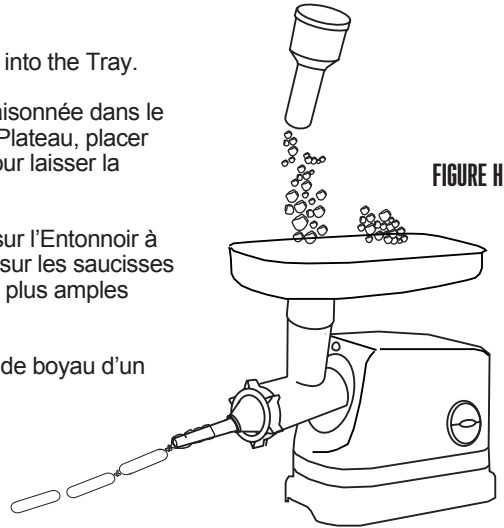
4. Placez la viande hachée assaisonnée dans le Plateau. Ne pas trop remplir le Plateau, placer juste suffisamment de viande pour laisser la surface de la Trémie ouverte.

5. Glisser un boyau a saucisse sur l'Entonnoir à farce. Voir la partie "Information sur les saucisses / Boyaux" de ce manuel pour de plus amples renseignements.

6. Glisser 10 a 15 cm (4 a 6 po) de boyau d'un bout de l'Entonnoir à farce et faites un nœud au bout du boyau. Si vous utiliser un boyau fibreux de gros diamètre, tenez l'extrémité fermée du boyau bien serrée contre l'extrémité de l'Entonnoir à farce (**FIGURE H**).

7. S'assurer que le Hachoir est sur la position "OFF" (ARRÊT). Brancher le Hachoir à l'alimentation électrique.

8. Appuyer sur le Bouton du Hachoir "ON" (MARCHE). Commencer à mettre soigneusement la viande hachée dans la Trémie. UTILISER SEULEMENT LE POUSSOIR POUR POUSSER LA VIANDE DANS LA TÊTE, NE PAS UTILISER LES DOIGTS OU TOUT AUTRE OBJET.



NOTE:
To prevent overheating, do not operate the **Grinder** for more than 15 minutes at a time. Allow the **Grinder** to cool periodically.

AVERTISSEMENT!

NE JAMAIS se servir du Hachoir sans le Plateau fixé en place. Pour éviter des blessures graves ou mortelles, NE JAMAIS introduire la main dans tout orifice d'entrée du Hachoir.

TOUJOURS utiliser le Poussoir pour pousser les aliments dans la Tête du Hachoir. Lire et comprendre complètement toutes les instructions et avertissements avant l'utilisation.

8. Tenir le boyau en place d'une main tout en faisant passer le mélange à travers le Hachoir. Au fur et à mesure que la viande remplie le boyau, le posez délicatement sur une surface sèche et propre. **REMARQUE** : Utilisez une surface mouillée si vous utilisez des boyaux naturels.

9. Ne pas remplir les derniers 8 à 10 cm (3 à 4 po) de boyau. Une fois que toute la longueur de boyau est farcie, tourner l'extrémité ouverte pour la fermer, puis nouer bien serre les extrémités du boyau pour fermer. Tourner pour faire des chainons.

10. Pour farcir des saucisses, remplir le boyau lentement pour éviter des poches d'air. Si des poches d'air apparaissent dans la saucisse, utiliser une aiguille pour percer les bulles. Les petits trous se refermeront naturellement.

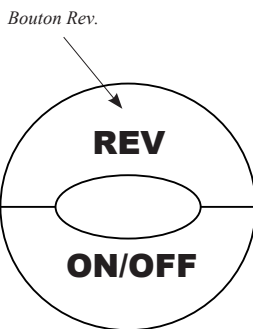
UTILISATION DE LA FONCTION INVERSE (REVERSE)

La fonction inverse (Reverse) doit seulement être utilisée pendant des temps très courts pour aider à dégager un blocage.

FIGURE I

1. Laisser le Moteur du Hachoir S'ARRÊTER COMPLÈTEMENT avant d'engager la fonction inverse "REV".

2. Poussez le Bouton Rev (**FIGURE I**).



REMARQUE : NE JAMAIS se servir du Hachoir en fonction inverse pendant plus de 5 secondes.

3. Si le Hachoir reste bloqué après avoir utilisé la fonction inverse, mettre le Hachoir sur la position "OFF" (ARRÊT), débrancher le Hachoir de sa source d'alimentation. Démonter le Tête du Hachoir et la nettoyer suivant les "Directives de nettoyage." Remonter le Hachoir et suivez les "Directives pour hacher/ Directives pour farcir."

PROTECTION CONTRE LES SURCHARGES THERMIQUES

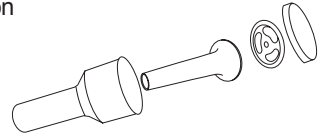
Le Hachoir à viande électrique robuste s'arrêtera automatiquement en cas de surchauffe. Si cela se produit :

1. Mettre le Hachoir sur la position "OFF" (ARRÊT) et débrancher le Cordon d'alimentation.
2. Enlever la Tête du Hachoir du Corps Principal.
3. Attendre jusqu'à ce que le Hachoir se refroidisse ou environ 1 heure. Garder la viande réfrigérée pendant que le Hachoir se refroidisse. Démonter et enlever la viande de la Tête si nécessaire.
4. Remonter le Hachoir et continuer l'utilisation normale.
5. Pour éviter les risques de surchauffe, ne pas utiliser le Hachoir pendant plus de 15 minutes à la fois. Laisser le Hachoir se refroidir périodiquement.

CONSEILS UTILES

AVERTISSEMENT! TOUJOURS DÉBRANCHER la trancheuse à viande de sa source d'alimentation avant d'en faire l'entretien, de la nettoyer, de changer des accessoires ou encore lorsqu'elle n'est pas utilisée.

- Le Poussoir fourni sert aussi comme un bon moyen propre et compact de ranger l'Entonnoir à farce et l'Espaceur à farce.
- Chaque fois que vous changez de Disques pour hachage, la Tête doit être enlevée **COMPLÈTEMENT** pour éviter de repousser la viande dans le Logement de l'arbre de transmission du moteur.
- Pour éviter les risques de surchauffe, ne pas utiliser le Hachoir pendant plus de 15 minutes à la fois. Laisser le Hachoir se refroidir périodiquement.
- **NE PAS** trop serrer l'Écrou à œil de devant. Il doit être fermement serré.
- S'assurer que les lames du Couteau de hachage sont disposées à plat sur le Disque du Hachoir.
- **DE PAS** utiliser le Hachoir sans viande dans la Tête. Faire marcher le Hachoir à sec pourrait endommager la Tête et la Vis sans fin.
- Toujours lubrifier la Tête, le Disque pour hachage et le Couteau de hachage avec un aérosol à base de silicone de qualité alimentaire après le nettoyage.
- **NE PAS** broyer les os ou autres objets durs.



SÉCURITÉ ALIMENTAIRE

Il y a des règles fondamentales à suivre lors de la manipulation d'aliments. Elles sont **CUIRE, SÉPARER, NETTOYER, et REFROIDIR RAPIDEMENT.**

CUIRE

Il est crucial de cuire les aliments à une température interne sûre pour détruire les bactéries qui sont présentes. La sécurité des hamburgers et autres aliments faits avec de la viande hachée a reçu dernièrement beaucoup d'attention, et pour une bonne raison. Quand la viande est hachée, les bactéries présentes sur la surface sont mélangées dans l'ensemble du mélange haché. Si cette viande hachée n'est pas cuite jusqu'à au moins 71oC à 74oC (160oF à 165oF), les bactéries ne seront pas détruites et il y a une forte chance que cela vous rendra malade.

Des morceaux solides de viande comme des steaks et côtelettes n'ont pas de bactéries dangereuses comme E. coli à l'intérieur, donc ils peuvent être servis plus saignants. Quand même, tout morceau de bœuf doit être cuit à une température interne d'au moins 63oC (145oF) (mi-saignant). La température sûre pour la volaille est 75oC (165oF) et les morceaux de viande entier de porc doivent être cuits à 71oC (160oF).

SÉPARER

Les aliments qui seront mangés crus et les aliments qui seront cuits avant d'être mangés **DOIVENT TOUJOURS** être séparés. La contamination croisée se produit quand des viandes crues ou des œufs viennent en contact avec des aliments qui seront mangés crus. Ceci est une source principale d'intoxication alimentaire. Enveloppez toujours deux fois les viandes crues et placez-les sur l'étagère la plus basse dans le réfrigérateur de manière qu'aucun jus ne puisse goutter sur les fruits et légumes crus. Puis utilisez les viandes crues entre 1 et 2 jours après l'achat, ou congelez-les pour les conserver plus longtemps. Décongelez les viandes congelées dans le réfrigérateur, pas sur le comptoir.

Quand vous grillez ou cuisez des viandes ou des poissons crus, assurez-vous de mettre la viande cuite sur un plat propre. N'utilisez pas le même plat que vous avez utilisé pour transporter les aliments avant de les mettre sur le grill. Lavez les ustensiles utilisés pour griller après que les aliments sont tournés pour la dernière fois sur le grill, aussi bien que les spatules et cuillers utilisées pour faire sauter à feu vif en remuant ou pour tourner la viande au fur et à mesure qu'elle cuit.

Assurez-vous de bien laver vos mains après avoir manipulé des viandes crues ou des œufs crus. Se laver les mains avec du savon et de l'eau, ou utiliser une lingette antibactérienne pré-humidifiée est absolument nécessaire après avoir touché de la viande crue ou des œufs crus. Ne pas se laver les mains et les surfaces pendant la cuisine est une cause majeure de contamination croisée.

NETTOYER

Lavez fréquemment vos mains et les surfaces de travail lorsque vous cuisinez. Lavez avec du savon et de l'eau chaude pendant au moins 15 seconds, puis séchez avec une serviette en papier.

REFROIDIR RAPIDEMENT

La réfrigération rapide des aliments est très importante. La zone de danger où les bactéries se multiplient est entre 4oC et 60oC (40oF et 140oF). Votre réfrigérateur doit être réglé à 4oC (40oF) ou en-dessous; votre congélateur doit être à -17oC (0oF) ou en-dessous. Une règle simple : servir chaud les aliments chauds, servir froid les aliments froids. Utilisez des réchauds ou plaques chauffantes pour garder les aliments chauds pendant le service. Utilisez des bains d'eau glacée pour garder au froid les aliments froids. Ne jamais laisser des aliments à la température ambiante pendant plus de deux (2) heures - 1 heure si la température ambiante est 32oC (90oF) ou au-dessus. Lorsque vous emballez les aliments pour un pique-nique, assurez-vous que les aliments sont déjà refroidis rapidement lorsqu'ils sont mis dans le panier à pique-nique isotherme. Le panier à pique-nique ne refroidira pas les aliments – il garde simplement les aliments froids lorsqu'il est emballé correctement avec de la glace. Les aliments cuits chauds doivent être placés dans des conteneurs peu profonds et immédiatement réfrigérés pour qu'ils se refroidissent rapidement. Assurez-vous de bien couvrir les aliments après qu'ils sont froids.

REMARQUE : Des considérations particulières doivent être prises lors de l'utilisation de venaison ou d'autre gibier sauvage, puisqu'ils peuvent devenir très contaminés durant l'opération de dépouille. La venaison est souvent gardée à des températures qui pourraient potentiellement permettre la croissance de bactéries, tel que lorsque celle-ci est transportée. Se référer au Département de la viande et de la volaille de l'USDA (USDA Meat and Poultry Department) pour d'autres questions ou informations sur la sécurité de la viande et des aliments.

INFORMATIONS SUR LES SAUCISSES

CHOIX DE VIANDE POUR LA FABRICATION DE SAUCISSE

La fabrication de saucisse s'est développée au cours des nombreuses années et générations, et il en résulte qu'un nombre incalculable de type de saucisses peuvent être fabriquées en utilisant les ingrédients de base de la viande, matière grasse et quelques épices soigneusement mélangées. Ci-dessous, vous trouverez quelques indications simples qui vous aideront à faire des saucisses avec le meilleur goût possible.

Tout type de viande peut être utilisé pour faire des saucisses : porc, bœuf, bison, original et caribou, même l'antilope font de la très bonne saucisse. Il est important lors de la préparation de venaison ou d'autres viandes de gibier rouges d'enlever la matière grasse de la viande, car le suif de gibier rouge rancira en aussi peu que cinq jours. Remplacez la matière grasse avec soit de la graisse de porc ou de bœuf, suivant le type de produit que vous faites, à un taux de 0,5 kg (1 livre) de graisse pour chaque 1,8 g (4 livres) de viande de gibier.

La teneur en matière grasse de vos saucisses affectera le goût, la texture, les caractéristiques de cuisson et la durée de conservation de votre produit. La plupart des saucisses fabriquées commercialement ont une teneur en matière grasse d'environ 20%. En utilisant moins de 12% de matière grasse, vous obtiendrez des saucisses avec un goût très sec, alors que si vous utilisez plus de 20%, cela peut résulter en des saucisses collantes et sans goût qui seront très difficiles à cuire.

SAUMURAGE

Il est important de saumer correctement les viandes pour conserver la viande et la volaille, et pour détruire les microorganismes indésirables sur les surfaces de la viande qui causent la détérioration et des maladies d'origine alimentaire. Il y a de nombreuses étapes qui aident à ce processus, y compris la fumaison, la cuisson, le séchage, le refroidissement rapide et l'addition d'ingrédients de saumure. Le plus ancien moyen d'accomplir cela est en introduisant le sel dans la viande. La résistance des bactéries au sel varie beaucoup parmi les différents types de bactéries. Le développement de certaines bactéries est inhibé par des concentrations en sel aussi basses que 3%, par exemple, Salmonella, alors que d'autres types peuvent survivre dans de plus hautes concentrations en sel, par exemple, Staphylococcus. Heureusement, le développement de nombreux microorganismes indésirables normalement trouvés dans les viandes et produits de volaille saumurés est inhibé à des basses concentrations de sel.

Le saumurage moderne est basé sur les Nitrates et est très scientifique. Achetez le sel de salage rose Weston (02-0000-W) et suivez les instructions fournies pour vous assurer que vous faites correctement votre saucisse maison.

BOYAUX

Weston offre une variété complète de boyaux. Le bon choix dépend de la préférence personnelle aussi bien que le type de saucisse que vous désirez faire. Pour la plupart des saucisses, vos choix sont "naturel" ou "collagène". Ne laissez pas les noms vous tromper; les boyaux en collagène ne sont pas un produit synthétique. Ils sont fabriqués à partir de peau de bœuf et d'autres tissus. Les boyaux en collagène sont uniformes en taille et en texture et ne nécessitent presque aucune préparation. Les boyaux "Naturels" sont les intestins d'agneau, de mouton, porc ou bœuf. Ils sont moins uniformes en taille et nécessitent une préparation. Il existe également des boyaux non comestibles en matière fibreuse qui sont le plus couramment utilisés pour le saucisson d'été et la mortadelle.

TYPES DE SAUCISSE

La plupart des saucisses se situent dans une des quatre catégories : Fraîche, Fumée, Cuite ou Sèche. Toutes les saucisses, sauf les sèches, exigent l'entreposage frigorifique. Il y a aussi une sous-catégorie de saucisses fumées non cuites.

Parmi les saucisses fraîches et fumées non cuites, vous trouverez des arômes tels que la kielbasa ou saucisse polonaise, saucisse italienne, saucisse petit déjeuner et beaucoup d'autres. Les saucisses fraîches aussi bien que les saucisses fumées non cuites doivent être cuites avant de les manger et elles nécessitent aussi l'entreposage frigorifique.

Les saucisses fumées et cuites comprennent le salami, le saucisson de Bologne, les toujours aussi populaires hot-dogs et de nombreux autres. La fumaison correcte nécessite un four ou appareil pour fumer les aliments. Ceux-ci peuvent être simplement des structures faites maison à partir de bidons Weston offre des fumeurs extérieurs au propane dans une panoplie de grosseurs (41-0701-W, 41-0301-W, ou 41-0401-W). La plupart des saucisses fumées sont réchauffées avant de servir. Un grand nombre de personnes pensent qu'une saucisse fumée durera plus longtemps sans altération, mais cela n'est pas vrai. Les saucisses fumées doivent être traitées de la même manière que les saucisses fraîches en termes d'entreposage.

Les saucisses sèches exigent le temps de transformation le plus long, puisqu'elles sont séchées à l'air pendant une longue période de temps. Weston offre des fumeurs extérieurs au propane dans une panoplie de grosseurs (41-0701-W, 41-0301-W, ou 41-0401-W). Les conditions sous lesquelles la viande est séchée sont très exigeantes; la température, la durée et l'humidité doivent toutes être soigneusement surveillées pour avoir un produit sûr et délicieux.

ENTREPOSAGE

Pour obtenir de meilleures saveurs, nous recommandons le scellage sous vide pour les saucisses fraîches, puis de les entreposer dans le réfrigérateur (à court terme) ou au congélateur (à long terme). Weston fabrique une variété d'appareils d'emballage sous vide. Demandez au détaillant où vous avez acheté cet appareil de vous parler de sa sélection. Conservez les produits salés à sec dans du papier ou un autre emballage qui respire, non réfrigéré.





UN AN DE GARANTIE WESTON LIMITÉE

La présente garantie s'applique aux produits, achetés et utilisés aux États-Unis et au Canada, qui ont été dûment enregistrés dans un délai de 30 jours à compter de la date d'achat initiale. La présente garantie est la seule garantie expresse pour ce produit et remplace toute autre garantie ou condition. Ce produit est garanti contre tout défaut de matériaux et de fabrication pour une durée d'un (1) an à compter de la date d'achat initiale. Au cours de cette période, votre seul recours est la réparation ou le remplacement de ce produit ou de tout composant s'avérant défectueux, à notre gré.

Pour enregistrer votre produit : remplissez le formulaire en ligne à l'adresse www.WestonProducts.com/Warranty

La présente garantie ne couvre pas les produits non enregistrés, ni les réparations ou services après-vente non autorisés, les produits vendus « tels quels » par les détaillants, le verre, les filtres et l'usure normale d'utilisation, toute utilisation non conforme aux directives écrites, ni les dommages au produit résultant d'un accident, d'une modification, d'une utilisation abusive ou incorrecte. La présente garantie est valable uniquement pour l'acquéreur initial ou le destinataire du cadeau et n'est pas cessible. Veuillez conserver le ticket de caisse d'origine, puisqu'une preuve d'achat est requise pour toute réclamation de garantie. La présente garantie devient caduque si le produit est soumis à une tension ou forme d'onde autre que celle indiquée sur l'étiquette (par ex., 120 V ~ 60 Hz).

Aucune réclamation en cas de dommages spéciaux, consécutifs ou indirects résultant du non-respect de toute garantie expresse ou implicite ne sera prise en compte.

Toute responsabilité se limite au montant du prix d'achat. Toute garantie implicite, notamment toute garantie légale, condition de commercialité ou d'adaptation à une fin particulière, est exclue, sauf dans la mesure où cela est interdit par la loi en vigueur, auquel cas cette garantie ou condition est limitée à la durée de la présente garantie écrite. La présente garantie vous confère des droits juridiques spécifiques. Vous pouvez également bénéficier d'autres droits juridiques qui varient selon l'endroit où vous vivez. Certains États ou provinces n'autorisent pas de limitations sur les garanties implicites ou sur les dommages spéciaux, consécutifs ou indirects, de sorte que les limitations susmentionnées pourraient ne pas vous concerner.

Avant de retourner le produit pour réparation ou entretien : il doit être propre et exempt de toute particule de nourriture ou d'autres débris; sans quoi nous serons dans l'obligation de vous le retourner ou nous vous facturerons des frais de nettoyage de 50 dollars, à notre gré.

Pour procéder à une réclamation de garantie : allez à l'adresse www.WestonProducts.com/Contact;

ou appelez le 1.800.814.4895 pour les États-Unis et le 001.216.901.6801 hors des États-Unis, du lundi au vendredi, de 8 h à 17 h HNE. Tous les frais liés à l'envoi du produit, frais de transport prépayés inclus, sont à votre charge.

Si le produit remplit les conditions pour une réparation ou un remplacement sous garantie, les frais de retour seront à notre charge. Nous déclinons toute responsabilité en cas de dommages dus au transport.

Pour toute réparation sans garantie : appelez le 1.800.814.4895 pour les États-Unis et le 001.216.901.6801 hors des États-Unis, du lundi au vendredi, de 8 h à 17 h HNE, pour obtenir un numéro d'autorisation de retour de marchandises (numéro de RMA). Tout envoi expédié sans numéro de RMA sera refusé. Tout diagnostic, travail d'entretien, de réparation ou de traitement sera facturé 35 USD/heure. Aucun travail d'entretien ou de réparation ne sera effectué sans autorisation préalable. Tous les frais liés à l'envoi du produit, frais de transport prépayés inclus, ainsi que ceux de retour sont à votre charge.

ATTENTION!

PLEASE INSPECT THIS PACKAGE THOROUGHLY FOR MISSING PARTS OR ANY PRODUCT DAMAGE. IF YOUR PRODUCT CONTAINS SHIPPING DAMAGE, PLEASE CONTACT RETAILER FOR ASSISTANCE.

For all other questions regarding product usage, missing parts, product damage, difficulty or warranty activation, please contact the Weston Brands Customer Service Team:
8:00 am to 5:00 pm ET, Monday thru Friday

CustomerService@WestonProducts.com

U.S. Residents Customer Service Line: 1-800-814-4895 (Outside U.S. Call: 001-216-901-6801)
Weston Brands LLC, Cleveland, Ohio 44131
WestonProducts.com

Please DO NOT return this item to the retailer before contacting
Weston Brands Customer Service.

SAVE THESE INSTRUCTIONS!

Refer to them often and use them to instruct others.

ATTENTION!

*VEUILLEZ INSPECTER CET EMBALLAGE AVEC SOIN POUR Y DÉTECTER
TOUTE PIÈCE MANQUANTE OU ENDOMMAGÉE.
SI DES PIÈCES ONT ÉTÉ ENDOMMAGÉES PENDANT LE TRANSPORT, VEUILLEZ
COMMUNIQUER AVEC LE DÉTAILLANT POUR OBTENIR DE L'AIDE.*

*Pour toutes les autres questions concernant l'utilisation du produit, les pièces manquantes, les problèmes ou
l'activation de la garantie, veuillez communiquer avec l'équipe de service clientèle des produits Weston:
de 8:00 à 17:00 HNE, du lundi au vendredi.*

CustomerService@WestonProducts.com

Numéro de téléphone du service clientèle pour les résidents des É.-U. : 1-216-901-6801
Numéro de téléphone à l'extérieur des É.-U. : 001-440-638-3131 Weston Brands LLC,
Weston Brands LLC, Cleveland, Ohio 44131
WestonProducts.com

Veillez communiquer avec le service clientèle des produits Weston AVANT de retourner cet appareil au détaillant.

CONSERVER CES DIRECTIVES!

Veillez les consulter fréquemment et les utiliser pour la formation.

¡ATENCIÓN!

Revise completamente el envase y compruebe que no falten partes o que algún producto esté dañado. si el producto está dañado por el transporte, solicite asistencia al distribuidor.

Para todas aquellas preguntas referentes al uso del producto, partes faltantes, daño del producto, dificultad o activación de la garantía, comuníquese con el equipo de servicio al cliente de weston Brands:
desde las 8:00 am hasta las 5:00 pm ET, de lunes a viernes

CustomerService@WestonProducts.com

**Línea de Servicio al Cliente para Residentes de EE.UU.: 1.800.814.4895 (Fuera de EE.UU., llame al:
001-216-901-6801) Weston Brands LLC, Cleveland, Ohio 44131**
WestonProducts.com

NO devuelva este artículo al vendedor minorista antes de comunicarse con Servicio al Cliente de
Weston Brands.

¡GUARDE ESTAS INSTRUCCIONES!

Consulte estas instrucciones y úselas para enseñar sobre el uso de este producto a otras personas.