

Decorator Hood IFW 66 Series	FL-2194
Rev. 5 (07/10)	Page 2 of 2

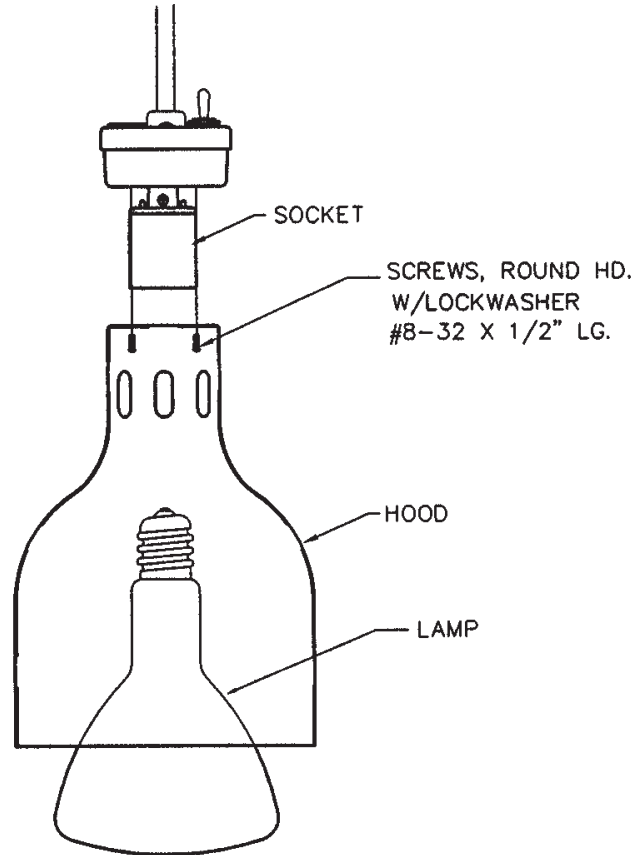
INSTALLATION INSTRUCTIONS

IFW 66 SERIES INFRA RED WARMER

HOW TO INSTALL HOOD:

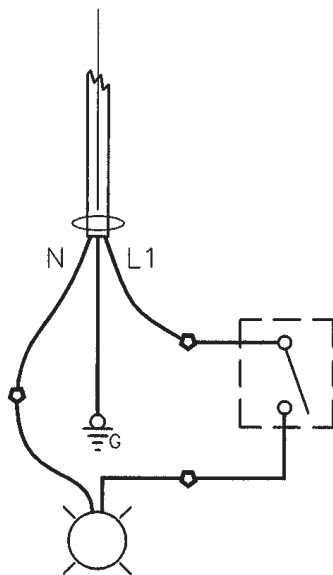
You will need a Phillips head (preferably magnetic) screwdriver with a long neck.

1. Slide the hole in the top of the hood over the socket.
2. Look inside of the hood and line up two (2) hood mounting holes with the holes in the arm assembly.
3. Put the screw provided on the screwdriver tip and screw loosely into one hole and then into the other; then tighten both screws.
4. Screw lamp into the socket.

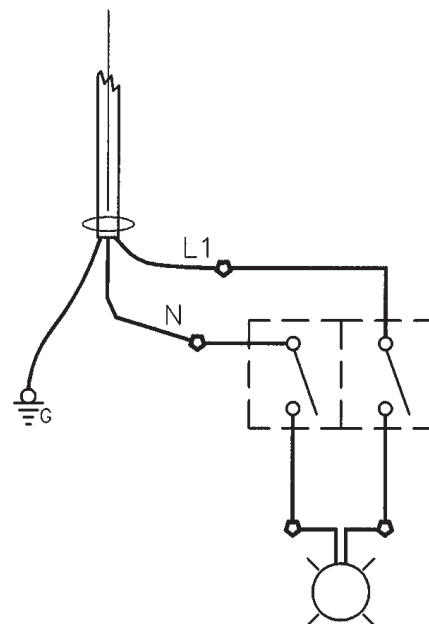


REPLACEMENT PARTS:

ITEM	DESCRIPTION	PART NO.
1	Cord Assembly	0810-142
2	Socket Assembly	0822-037
3	Switch (120V)	0808-002
3	Switch (240V)	0808-122
4	Bulb, Red (120V)	0820-001
	Bulb, White (120V)	0820-033
	Bulb, Red (240V)	0820-014



WIRE FOR 120V



WIRE FOR 240V