

IFW 64 Series	FL-0314
Rev. 13 (05/06)	Page 2 of 2

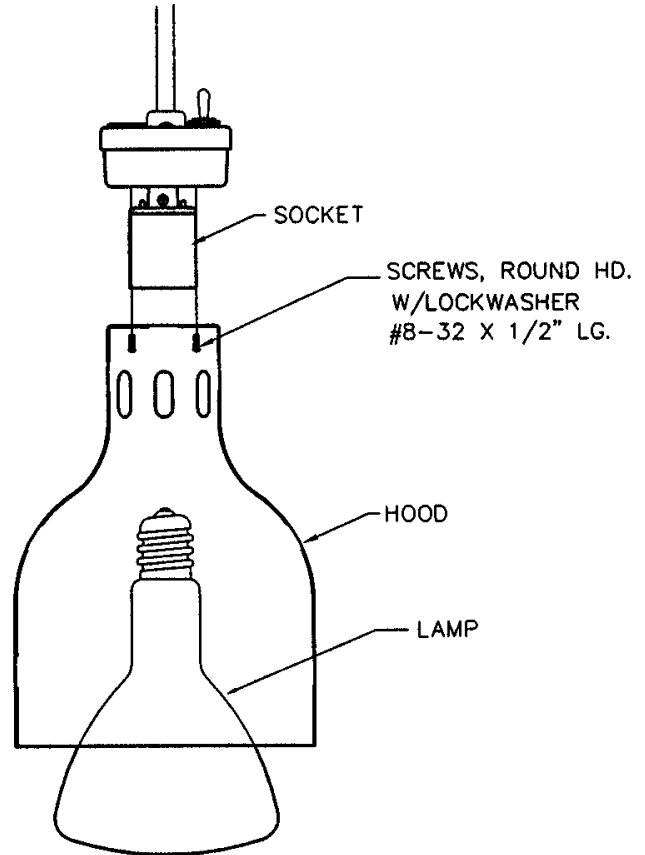
INSTALLATION INSTRUCTIONS

for MODEL IFW-64 SERIES RIGID STEM WARMERS

HOW TO INSTALL HOOD:

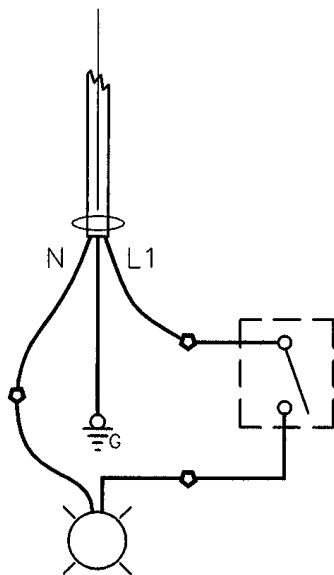
You will need a Phillips head (preferably magnetic) screwdriver with a long neck.

1. Slide the hole in the top of the hood over the socket.
2. Look inside of the hood and line up two (2) hood mounting holes with the holes in the arm assembly.
3. Put the screw provided on the screwdriver tip and screw loosely into one hole and then into the other; then tighten both screws.
4. Screw lamp into the socket.

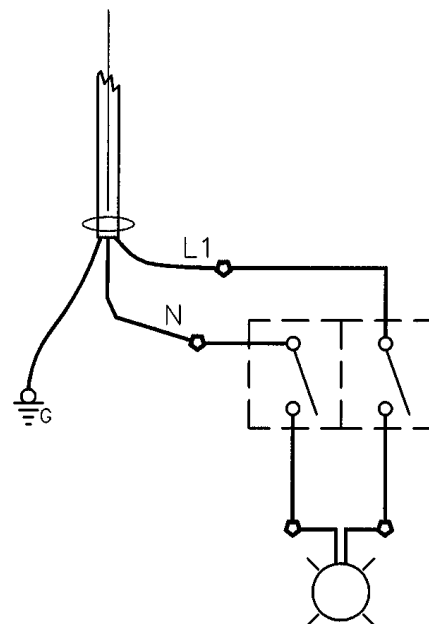


REPLACEMENT PARTS:

DESCRIPTION	CMP No.
Switch (120V)	0808-002
Switch (240V)	0808-122
Lamp, Red (250 Watts)	0820-001
Lamp, White (250 Watts)	0820-033
Socket	0822-037



WIRE FOR 120V



WIRE FOR 240V