

DH5000 Straight-through to Corner Operation Conversion Instructions

Converting Straight-through Operation to Corner Operation

! ATTENTION !

The clean-end dish table must be modified if the backsplash is more than 3" [76mm] high.

Refer to the illustration below and the next page to convert a straight-through operation machine to a corner operation machine.

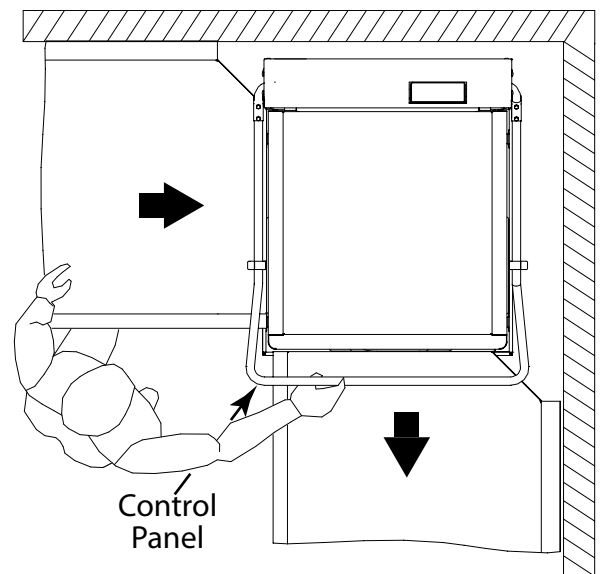
To convert the dishwasher:

1. Place the dishwasher as shown below so the control panel faces into the room and is accessible to the operator.
2. Refer to the illustrations on the next page and cut a notch in the dish table backsplash if it is higher than 3" [76 mm].
3. Position the rear of the machine a minimum of 1-7/8" [48mm] from the back wall and a minimum of 5-1/8" [130 mm] from the right side wall.
4. Make the utility connections as described in this manual and in accordance with all local codes and regulations.
5. Install the dish tables so the edge of each table fits over the inner wall of the dishwasher tank.
6. Secure the dish tables to the dishwasher
7. Seal each dish table joint with a food-grade sealant to prevent leakage.

! IMPORTANT !

An optional **Splash Shield, P/N 334630**, is available for corner operation and **must** be installed before the machine is placed in its permanent location.

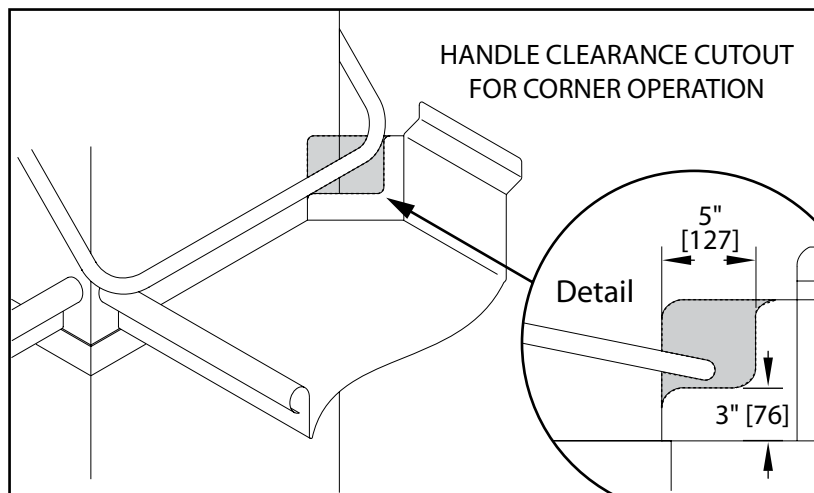
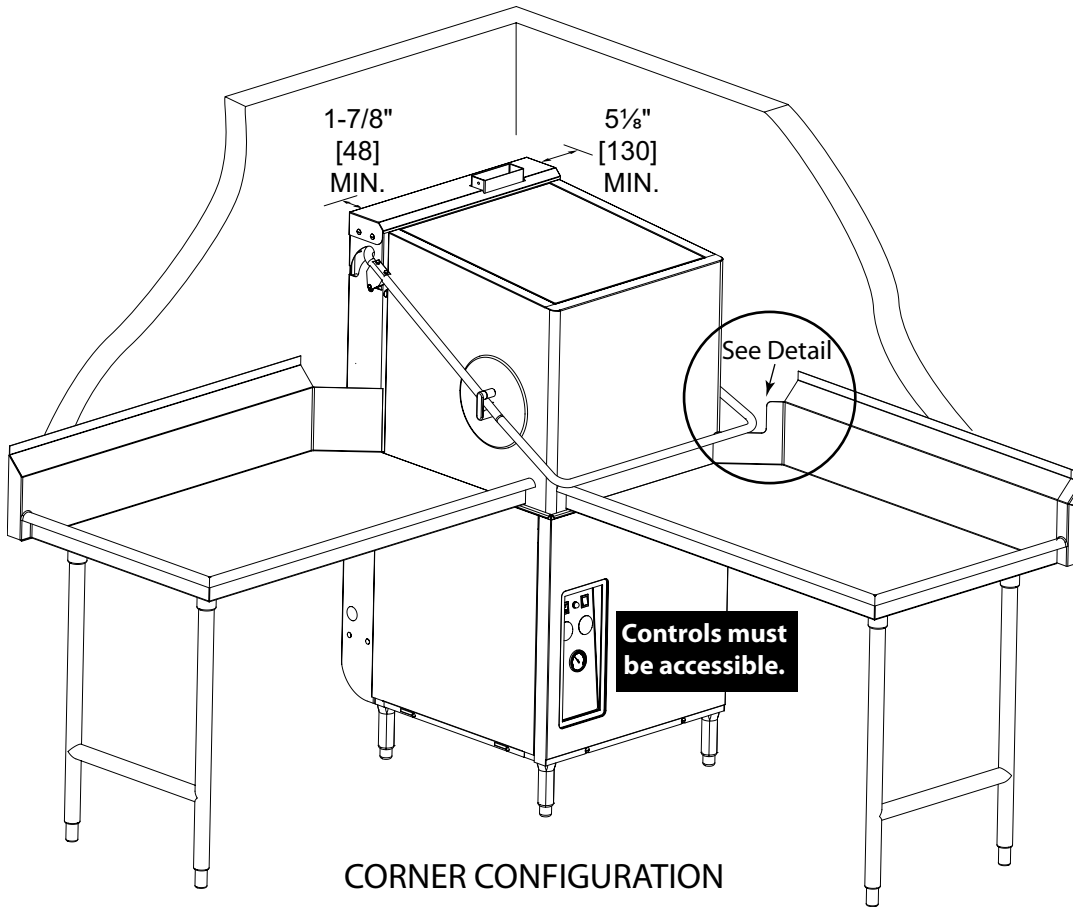
NOTE:
DH5000 Splash Shield Installation Kit P/N 901056 installation instructions for machines built prior to S/N D140911960 are on page 4.



Converting Straight-through Operation to Corner Operation (continued)

! ATTENTION !

If the backsplash is more than 3" [76mm] high, then it must be notched for handle clearance.



Converting Straight-through Operation to Corner Operation

! IMPORTANT !

An optional **Splash Shield**, P/N 334630, is available for corner operation and **must** be installed before the machine is placed in its permanent location.

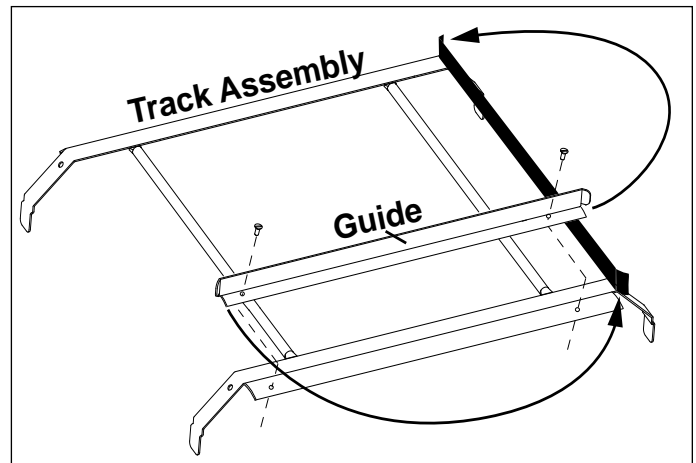
Track Assembly Conversion:

Step 1: Open the hood and remove the track assembly. Pull straight up and lift out of the machine.

Step 2: Rotate the track assembly 180° and reinstall it in the machine.

Step 3: The guide that was at the back of the machine is now at the front. Remove the fasteners holding the guide in place. Save the fasteners.

Step 4: Rotate the guide counter-clockwise to the right-side of the track assembly. Use the fasteners to secure the guide.



Optional Splash Shield Installation for S/N D140911960 and above:

The splash shield reduces splash-out whenever the hood is raised.

IMPORTANT:

The splash shield **must** be installed before the machine is placed in its permanent location.

Step 1: Remove the two 1/4-20 x 1/2" hex head bolts located on the right-hand side of the machine as shown in the illustration "Splash Shield (outside view)". Save the bolts.

Step 2: Raise the hood and fit the splash shield channel guide over the edge of tank. Refer to illustration "Splash Shield (inside view)".

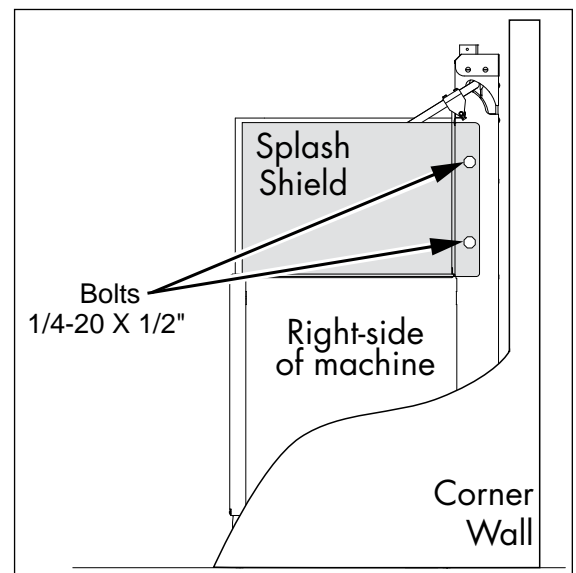
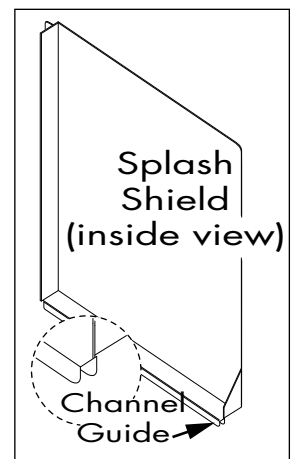
Step 3: Reinstall the bolts removed in step 1.

Step 4: Open and close the hood to ensure it operates smoothly.

Step 5: Conversion is complete.

Note:

See page 4 for splash shield installation instructions for machines built prior to S/N D140911960.



Splash Shield (outside view)

Kit 901056 - DH5000 Splash Shield Installation Kit

For machines built prior to S/N D140911960.

! IMPORTANT !

The splash shield must be installed before the machine is placed in its permanent location.

Step 1: Check the contents of the kit.

Qty. (1) P/N 334630, DH5000 Splash Shield
Qty. (2) P/N 100734, 1/4-20 x 1/2" Hex Hd. Bolt
Qty. (2) P/N 106482, Washer, Lock 1/4"
Qty. (2) P/N 106026, Washer, Flat 1/4"

Step 2: Refer to the illustration at right. Raise the hood and fit the splash shield channel guide over the right hand edge of tank.

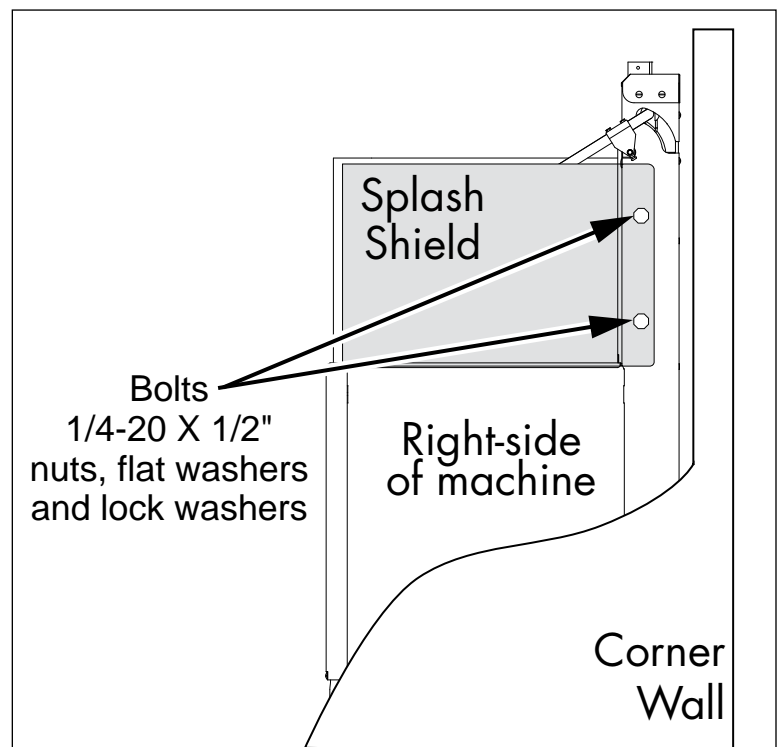
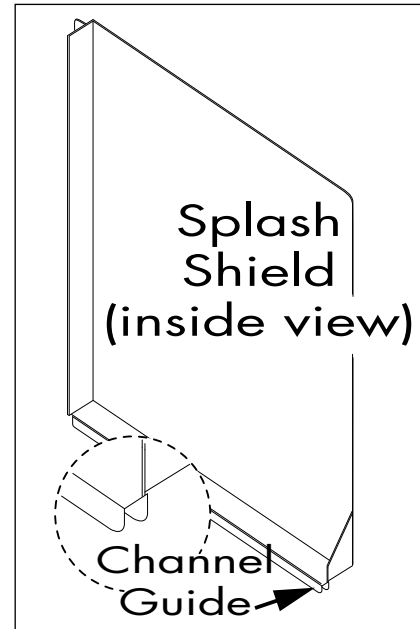
Step 3: Refer to the the illustration below. Using the splash shield as a template, mark the location for the mounting holes on the right-hand side of the machine.

Step 4: Use a 5/16" drill bit and drill two mounting holes.

Step 5: Install the panel using two stainless steel 1/4-20 x 1/2" bolts nuts, flat washers, and lock washers supplied in the kit.

Step 6: Raise and lower the hood to ensure it operates smoothly.

Step 7: The conversion is complete.



Splash Shield (outside view)