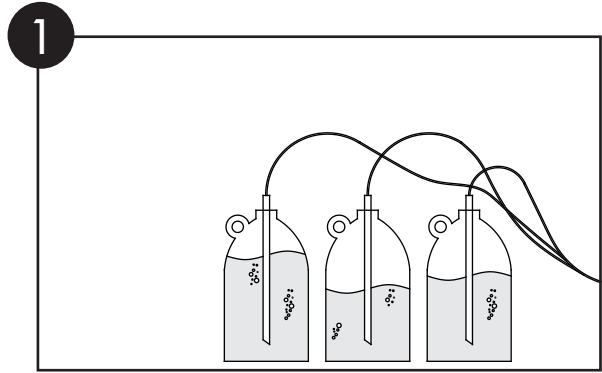
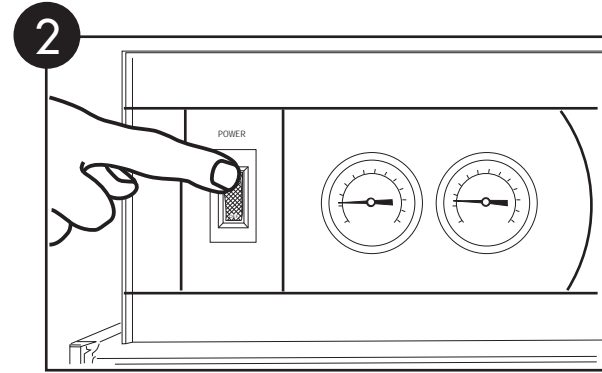


# 2000 Series Dishwasher

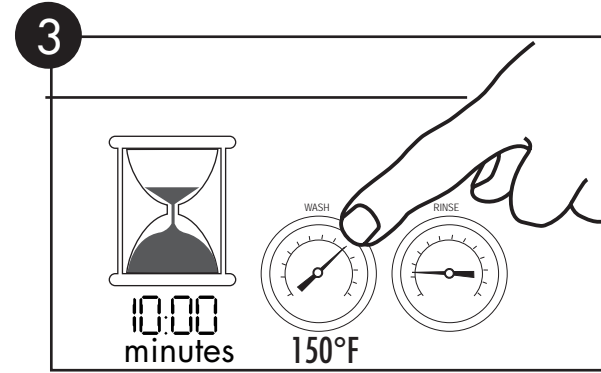
# OPERATION



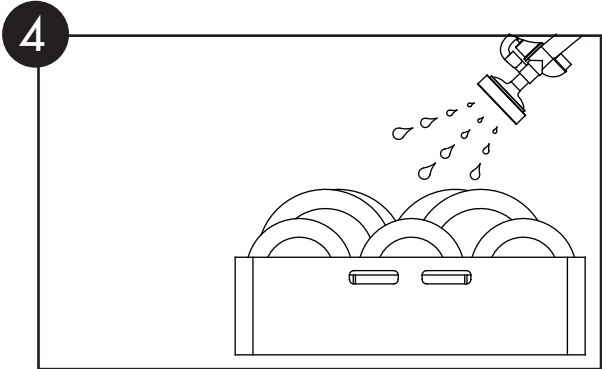
Check the chemical levels in containers.



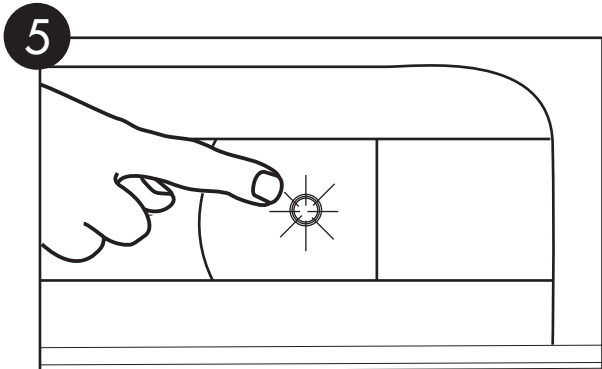
Flip ON/OFF switch to ON position. The switch will illuminate and the machine will fill with water.



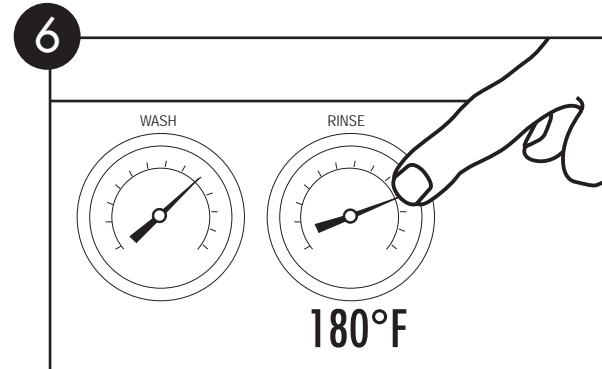
Wait 10 minutes for temperature gauge to read 150°F/66°C.



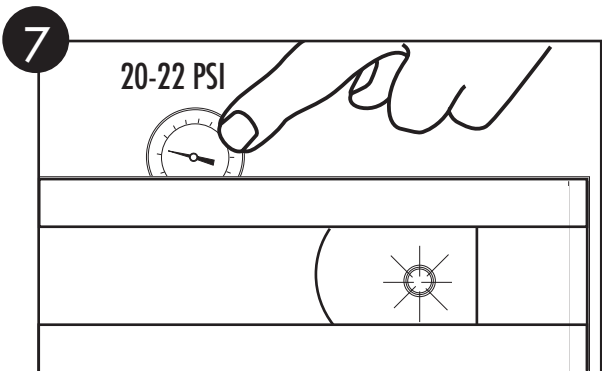
Prescrap wares and load into rack. Insert rack into machine and close the doors.\*



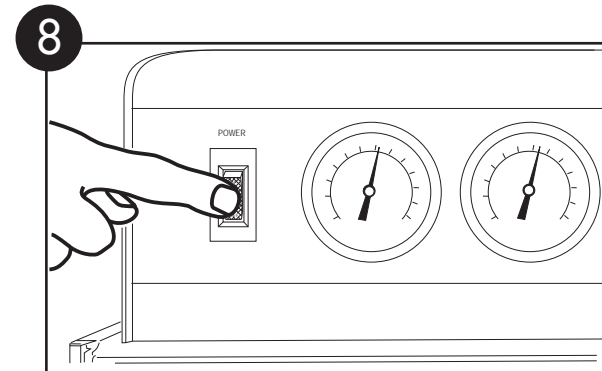
The Green In-cycle light will illuminate and the machine will start a 60 second cycle.\*



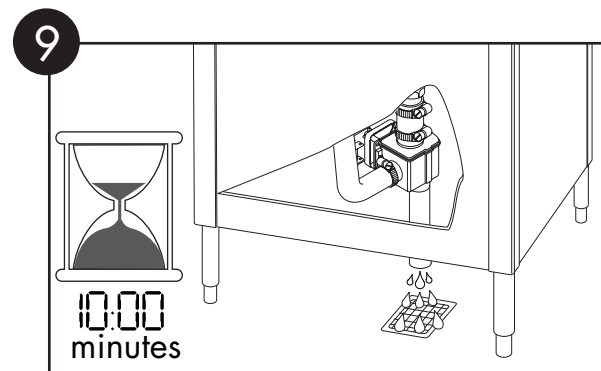
Check the final rinse temperature gauge during the final rinse. Minimum temperature 180°F/82°C.



Check the final rinse pressure gauge during the final rinse. The gauge must indicate 20-22 PSI.



Flip ON/OFF switch to OFF position. The switch will go out and the machine will begin to drain.



The automatic electric drain valve will remain open for 10 minutes and then close automatically.\*\*



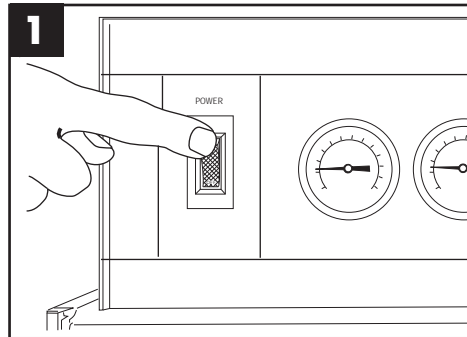
\*Opening the doors anytime during a cycle will pause the cycle. Closing the doors will resume the cycle where it left off.

\*\* The Automatic Drain Cycle can be repeated after 10 minutes by turning the power switch ON and then immediately OFF. The dishwasher will drain for another 10 minutes and then turn OFF.

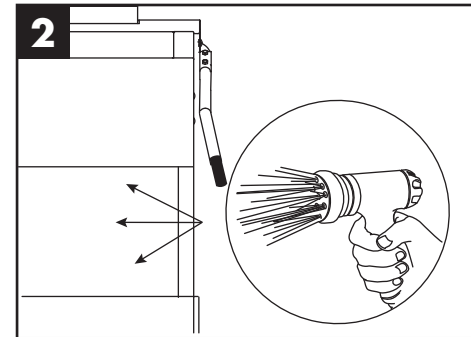
# 2000 Series Dishwasher

## CLEANING

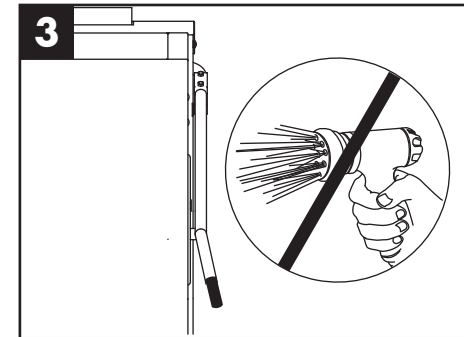
Every 2 hours and at the end of the day



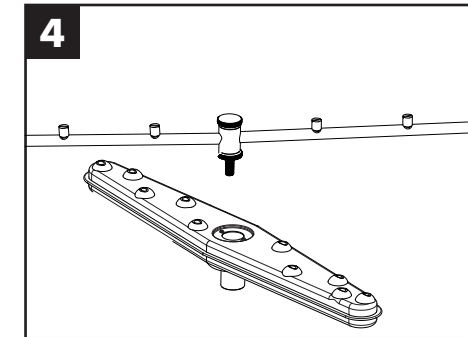
1 Flip ON/OFF switch to OFF position. The machine will drain automatically.



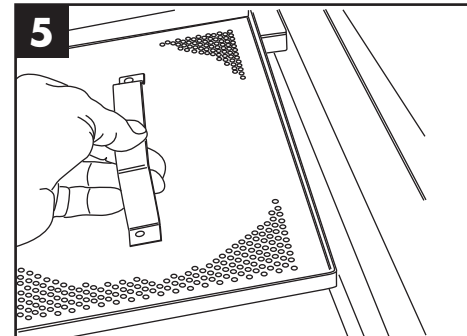
2 Spray the interior of the machine with fresh clean water.



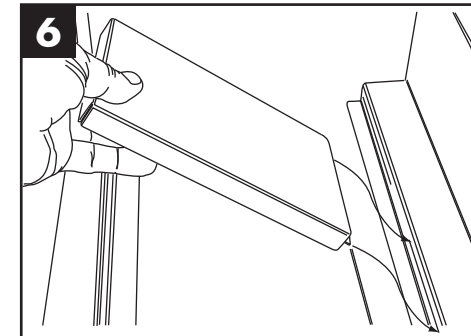
3 DO NOT spray the exterior of the machine with water.



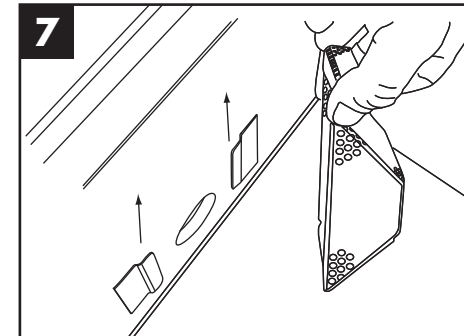
4 Remove the upper & lower spray arms and flush clean.



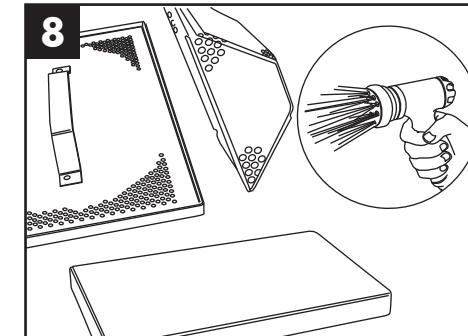
5 Remove the scrap screens from the machine.



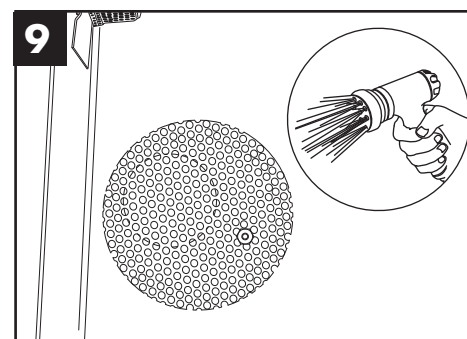
6 Remove the scrap screen support filler plate.



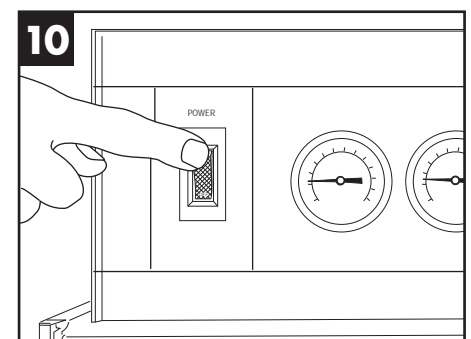
7 Remove the pump suction screen.



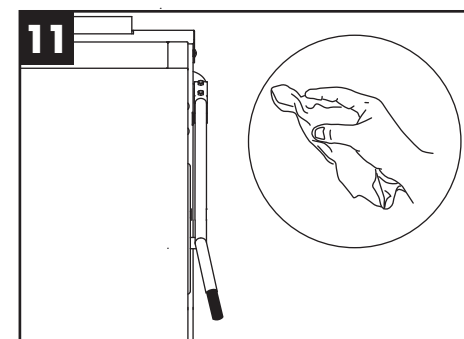
8 Back flush the screens and plate in a remote sink. DO NOT strike the screens against hard objects.



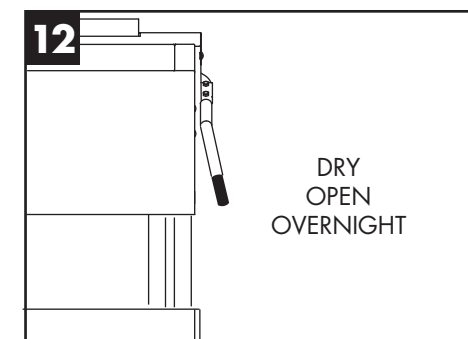
9 Clean the round drain screen & flush the bottom of the tank.



10 Push the power switch ON & immediately to the OFF position to drain.



11 Wipe the exterior with mild detergent and dry with soft cloth.



12 Reassemble machine and leave hood open to aid in overnight drying.