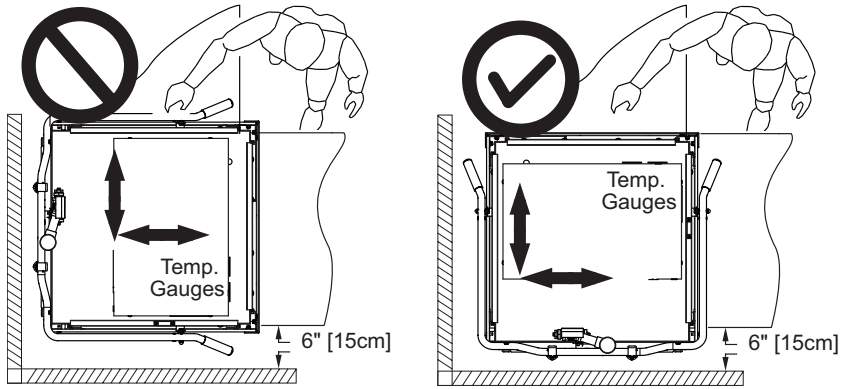


Straight-through to Corner Operation Conversion Instructions

Models DH2000 • MD2000



Dishwashers are shipped from the factory for Straight-through operation. Dish racks enter and exit the sides of a straight-through machine. Dish racks enter the side and exit the front of corner operation machine.

To position the dishwasher:

1. Convert the dishwasher before it is placed in its final position and before connecting utilities.
2. The temperature gauges must be clearly visible to the operator when facing the front of the machine. In addition, the door handles should move freely without interference from walls or other obstructions. Nominal wall clearance is 6" [152mm]; the minimum wall clearance is 4" [102mm].

Convert track guides and door-lift for corner operation:

1. Remove the rack guide (A). Save the fasteners and re-attach (A) as shown in the illustration at right.
2. Slide a dish rack through the machine to check the guide to dish rack clearance. The dish rack should move smoothly without binding or tipping on the guides.
3. Disconnect the door-lift bracket (B) connecting the front door and the wall-side door and discard. To seal the holes, reinstall the bolts and lock washers that held the door-lift bracket.
4. Disconnect the door linkage arm (C) from the wall-side door and discard. Reinstall the white roller (D) and existing hardware.
5. Disconnect the door linkage arm (C) from the other door but do not discard. This linkage arm is reattached after spring adjustment.
6. Lift the door handle up and back until the springs relax.
7. Adjust the door springs (E) located at the rear of dishwasher to reduce the door spring tension until the front and side doors open and close without binding.

