



LAKE SIDE®

4900 Electric Avenue • Milwaukee, WI 53219 • (414) 902-6446

NON-HEATED DROP-IN SELF-LEVELING ADJUSTMENT INSTRUCTIONS

For Non-Heated Models:

902, 912, 922, 932, 1942
903, 913, 923, 933, 1943

Refer to picture at right before starting.

STEP 1. DIAMETER ADJUSTMENT

Make sure the top cap is in position as shown in the picture. Now place a dish on top of the top cap. Adjust each dish guide to dish diameter by lifting guide and moving to a peg hole in bottom so that guide is close to dish edge without touching.

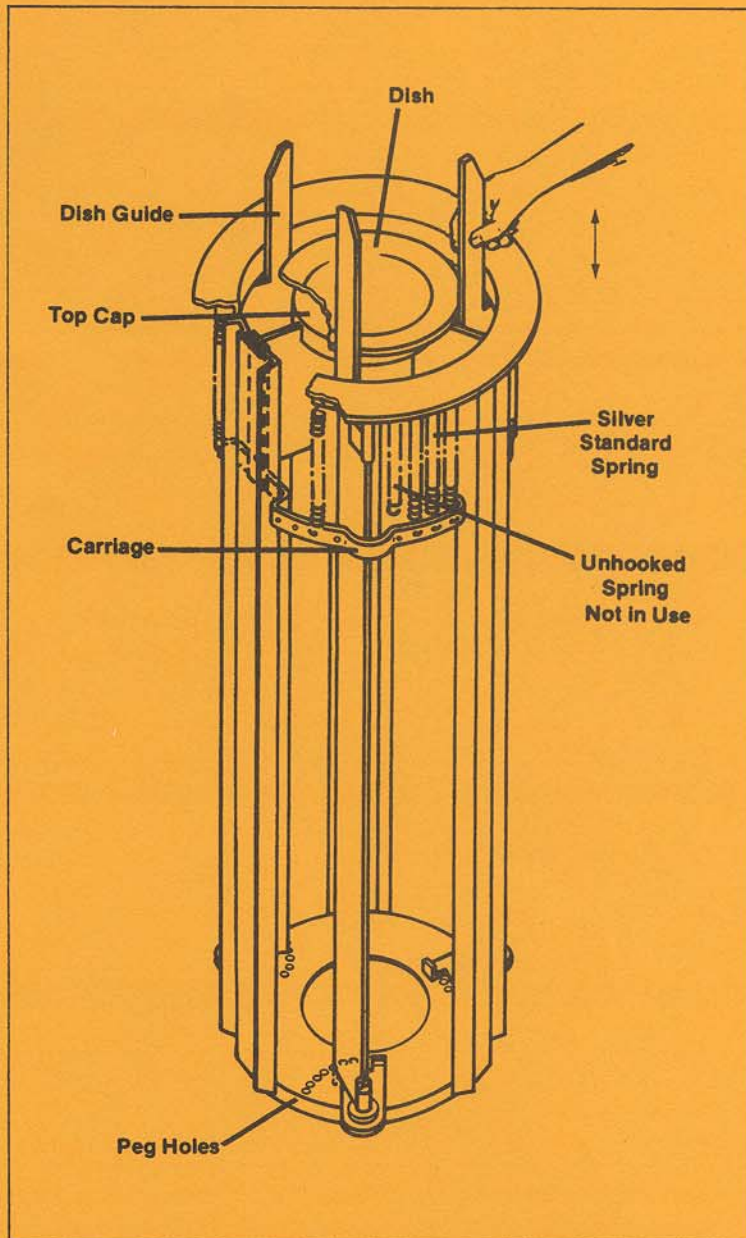
STEP 2. WEIGHT ADJUSTMENT

Dish diameter and weight determine how many springs should support your dishes. To insure smooth operation, use an equal number of springs on all sides of the tube. Always unhook lower end of springs only. Leave spring hang for future use.

Use the following chart as a guide to determine approximately how many springs to use.

Dish Diameter	Springs Required
5 to 6" Dia. Dish	3 to 7 Silver Springs
6 to 7" Dia. Dish	7 to 9 Silver Springs
7 to 8" Dia. Dish	9 to 11 Silver Springs
8 to 9" Dia. Dish	10 to 13 Silver Springs
9 to 10" Dia. Dish	12 to 16 Silver Springs
10 to 11" Dia. Dish	16 to 19 Silver Springs
11 to 12" Dia. Dish	19 to 22 Silver Springs

- First place six dishes into the unit directly on top cap.
- If the dishes are above the top of the dish guides, one or more springs must be unhooked. Remove all the dishes and remove the top cap. Reach into the unit and unhook one or more silver springs from the bottom. Leave the spring hang for future use. Replace the top cap and replace the six dishes. Repeat this operation if the dishes are still too high.
- If the dishes are too low, remove all the dishes. Lift the top cap and reach into the unit and hook one or more silver springs into position. Extra springs are attached unhooked for this purpose. Replace the top cap and replace the six dishes.
- Repeat the above operations with more dishes and with less dishes.



NOTE: The silver springs are stronger than the brown springs. Light duty springs are provided for fine adjustment of very light dishes. Most dishes require the use of silver springs only.