

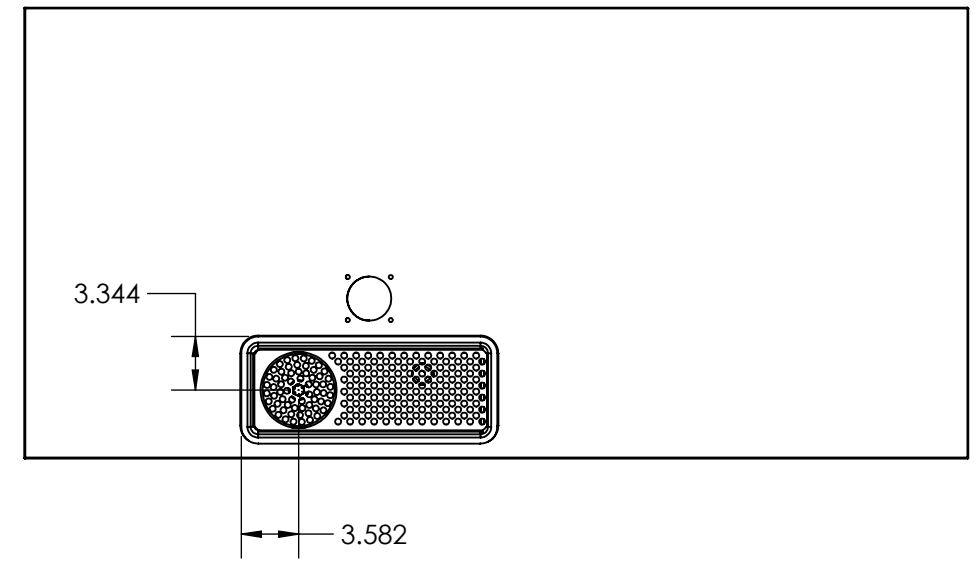
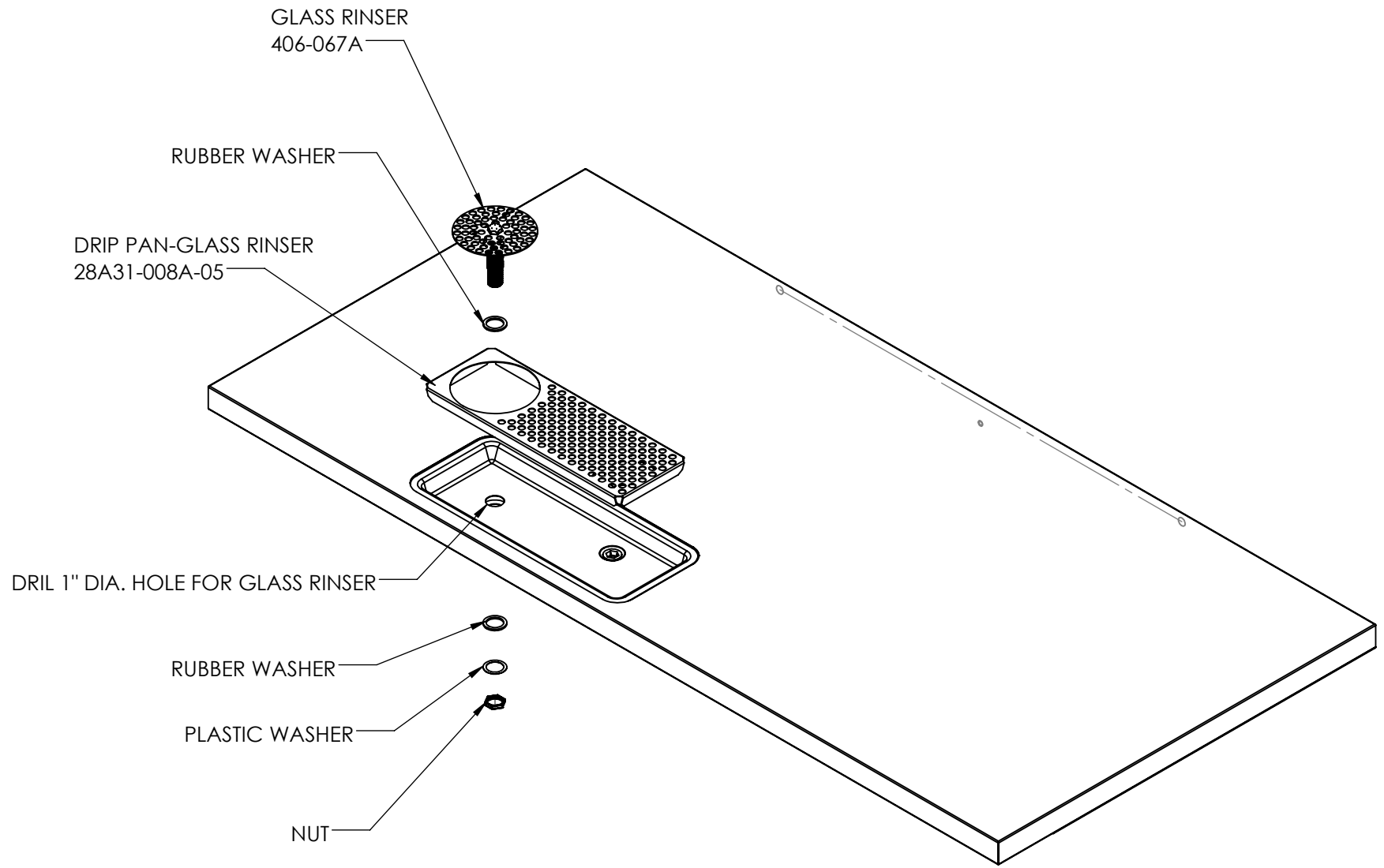
8 7 6 5 4 3 2 1

D  
C  
B  
A

D  
C  
B  
A

**\*\*INSTRUCTIONS\*\***

1. DRILL A 1" DIA. HOLE APPROX. 3 9/16" IN FROM THE LEFT EDGE OF DRAIN PAN AND 3 5/16" IN FROM THE BACK EDGE OF DRAIN PAN THROUGH BOTH THE DRAIN PAN AND TOP LINER. (SEE BELOW IMAGE WITH DIMENSIONS.)
2. PLACE 1 RUBBER WASHER OVER STEM OF GLASS RINSER (406-067A) AND INSERT INTO 1" DIA. HOLE.
3. PLACE SECOND RUBBER WASHER OVER STEM OF GLASS RINSER ON UNDERSIDE OF UNIT, FOLLOWED BY PLASTIC WASHER AND NUT.
4. TIGHTEN NUT TO SECURE GLASS RINSER.
5. PLACE NEW DRIP PAN (28A31-008A-05) ONTO DRIP TRAY.
6. ATTACH HOSE TO GLASS RINSER FROM WATER SOURCE.



\*\*\*\*\* END OF REV \*\*\*\*\*

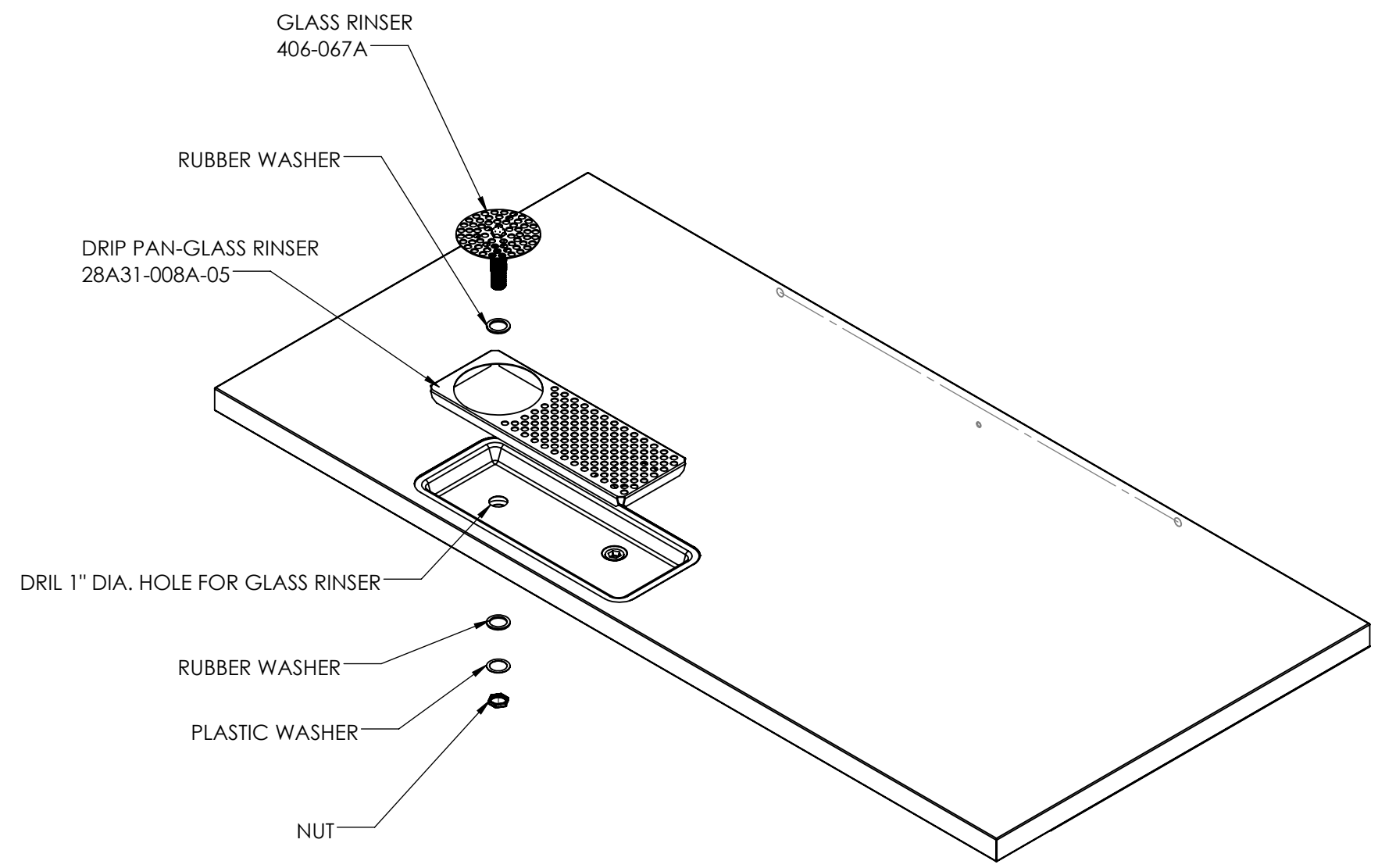
A	INITIAL RELEASE	11/6/2015	MH	MH	2015E-3843
<b>REV</b>	<b>REVISION RECORD</b>	<b>DATE</b>	<b>BY</b>	<b>CHK</b>	<b>ECN. NO.</b>

THIRD ANGLE PROJECTION	UNLESS OTHERWISE SPECIFIED:	NAME	DATE	<b>BEVERAGE-AIR</b>			
	DIMENSIONS ARE IN INCHES TOLERANCES: ANGULAR: ± 2° ONE PLACE DECIMAL ± .060 TWO PLACE DECIMAL ± .030 THREE PLACE DECIMAL ± .010	DRAWN	MH	11/06/15	BROOKVILLE, PA WINSTON-SALEM, NC beverage-air.com		
		CHECKED					
COMMENTS:	<b>PROPRIETARY AND CONFIDENTIAL</b>  THE INFORMATION CONTAINED IN THIS DRAWING IS THE SOLE PROPERTY OF BEVERAGE-AIR CORPORATION. ANY REPRODUCTION IN PART OR AS A WHOLE WITHOUT THE WRITTEN PERMISSION OF BEVERAGE-AIR CORPORATION IS PROHIBITED.	ENG APPR.	MH	11/06/15	TITLE: <b>ILLUST. GLASS RINSER INSTALL</b>		
		MFG APPR.					
		Q.A.					
		MODEL			SIZE	DWG. NO.	REV
		ENGINEERING REQUIREMENTS			<b>B</b>	<b>IL-2663D</b>	<b>A</b>
		SP100			SCALE: 1:12 WEIGHT:		SHEET 1 OF 2

8 7 6 5 4 3 2 1

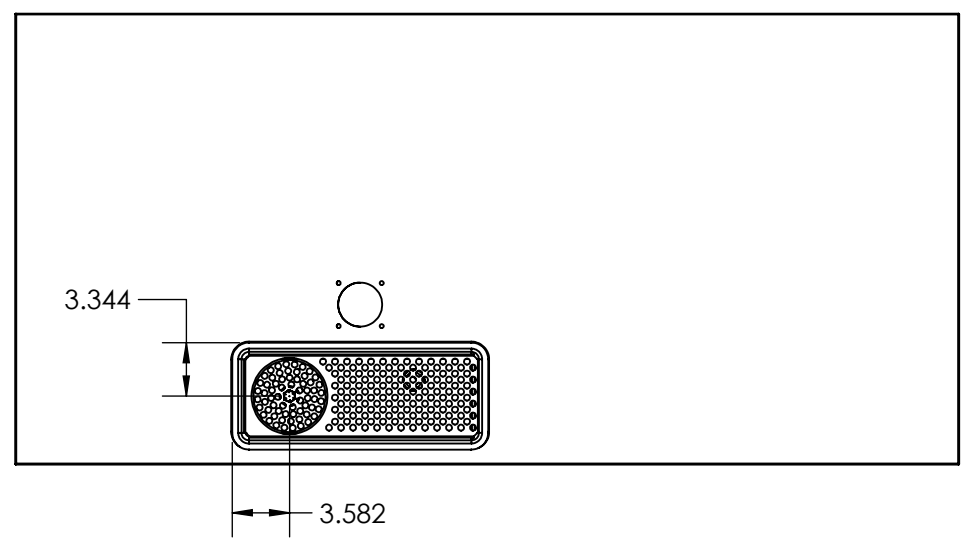
8 7 6 5 4 3 2 1

D  
C  
B  
A



**\*\*INSTRUCTIONS\*\***

1. DRILL A 1" DIA. HOLE APPROX. 3 9/16" IN FROM THE LEFT EDGE OF DRAIN PAN AND 3 5/16" IN FROM THE BACK EDGE OF DRAIN PAN THROUGH BOTH THE DRAIN PAN AND TOP LINER. (SEE BELOW IMAGE WITH DIMENSIONS.)
2. PLACE 1 RUBBER WASHER OVER STEM OF GLASS RINSER (406-067A) AND INSERT INTO 1" DIA. HOLE.
3. PLACE SECOND RUBBER WASHER OVER STEM OF GLASS RINSER ON UNDERSIDE OF UNIT, FOLLOWED BY PLASTIC WASHER AND NUT.
4. TIGHTEN NUT TO SECURE GLASS RINSER.
5. PLACE NEW DRIP PAN (28A31-008A-05) ONTO DRIP TRAY.
6. ATTACH HOSE TO GLASS RINSER FROM WATER SOURCE.



8 7 6 5 4 3 2 1