

Stainless Steel Sausage Stuffers

Models: 177SS7V, 177SS11V, 177SS15V

11/2019

Please read and keep these instructions. Indoor use only.

General Safety Regulations

WARNING: The warnings, cautions, and instructions discussed in this instruction manual cannot cover all possible conditions or situations that could occur. It must be understood by the operator that common sense and caution are factors that cannot be built into this product, but must be supplied by the operator.

Please use this machine according to these cautions. The user should understand all rules. Please carefully read them before you operate the machine. This machine may cause harm to the health of the operator if the user removes or changes equipment in the machine.

We are not responsible for any injuries resulting from improper operation of this machine. Please operate according to "Operation Method" instructions and follow the proper operation procedures while using. Take care while assembling and operating, in order to avoid scratching skin. Please read the instruction manual.

- **CHECK FOR DAMAGED PARTS.** Before using the stuffer, check that all parts are operating properly and perform the intended functions. Check for binding of moving parts, mounting and any other conditions that may affect the operation.
- The Manufacturer declines any responsibility in the case of improper use of the stuffer. Improper use of the stuffer will VOID the warranty.
- Repair must be done by an authorized dealer. Use only factory original parts and accessories. Modification of the stuffer will VOID the warranty.
- Be sure the stuffer is stable during use.
- NEVER operate the stuffer with the gear housing cover open or removed.
- **WEAR EYE PROTECTION!** Everyday eye glasses are not safety glasses. Safety glasses conform to ANSI Z87.1 requirement. Note: Approved safety glasses have Z87 printed or stamped on them.
- Do not use outdoors
- **SAVE THESE INSTRUCTIONS**

Assembly and Installation

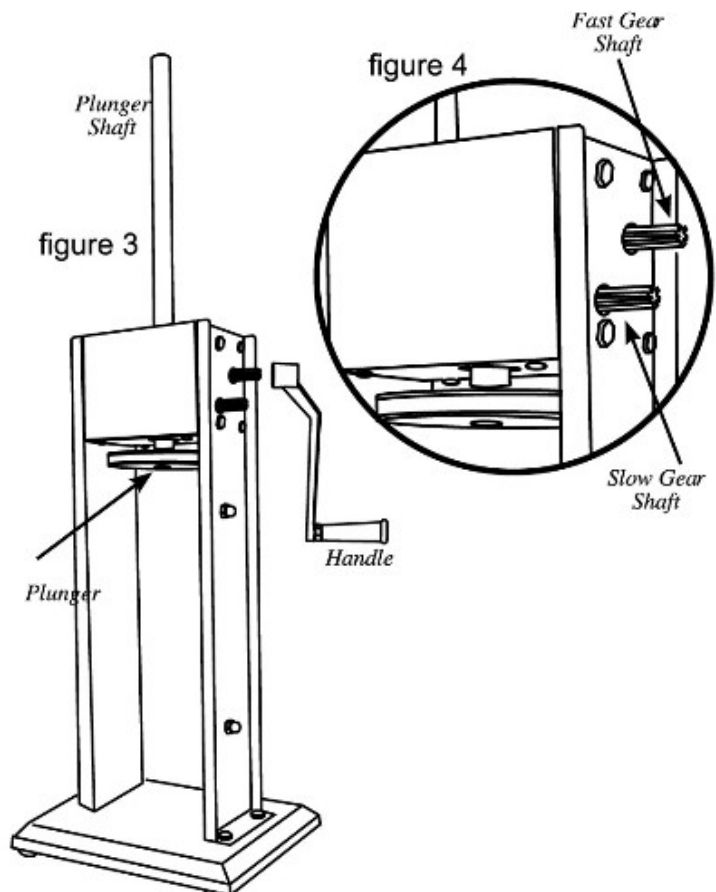
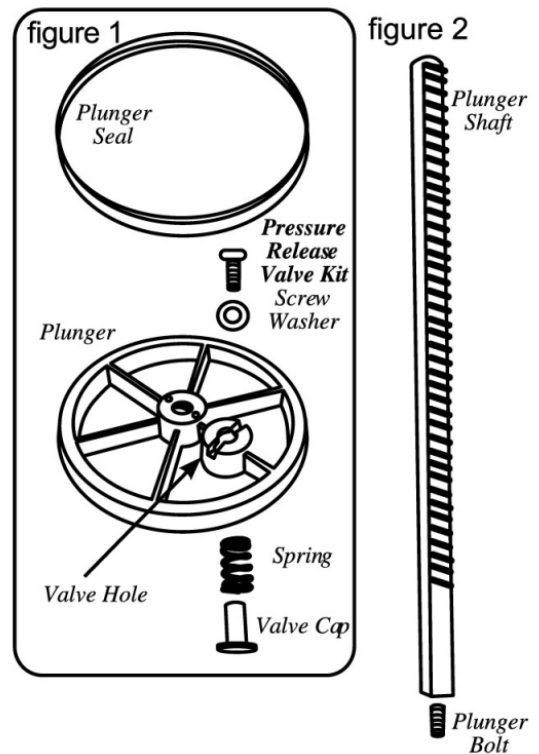
PLUNGER ASSEMBLY

1. Slide the **Plunger Seal** onto the **Plunger** (**figure 1**).
2. Assemble the **Pressure Release Valve Kit** onto the **Plunger**. From the top of the Plunger, place the Washer onto the Valve Hole, then insert the Screw through the Washer and into the Valve Hole. From the underside of the Plunger, place the Spring onto the end of the Screw, then place the Valve Cap onto the end of the Screw and twist to secure.
3. Screw the Plunger Bolt onto the Plunger Shaft (**figure 2**).
4. Place the assembled **Plunger** onto the end of the **Plunger Shaft** (**figure 3**).

STUFFER ASSEMBLY

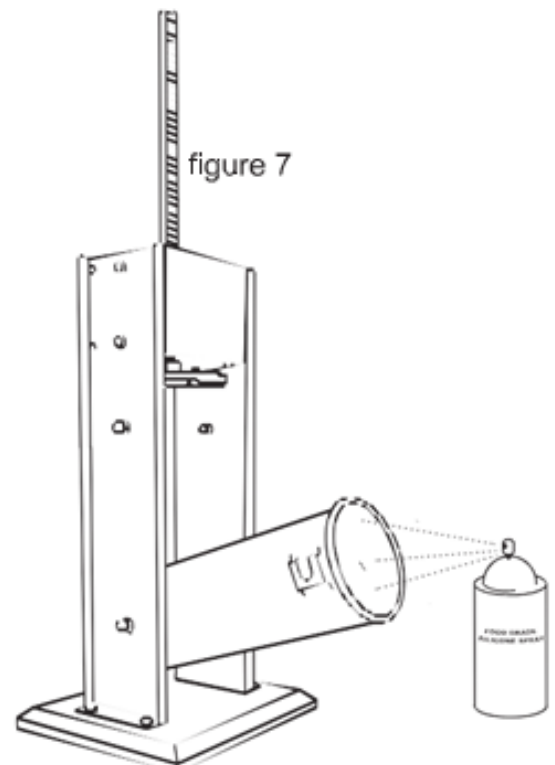
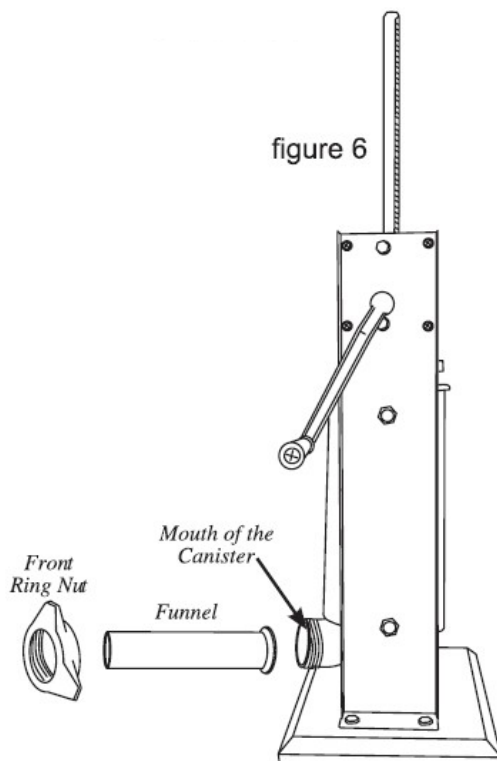
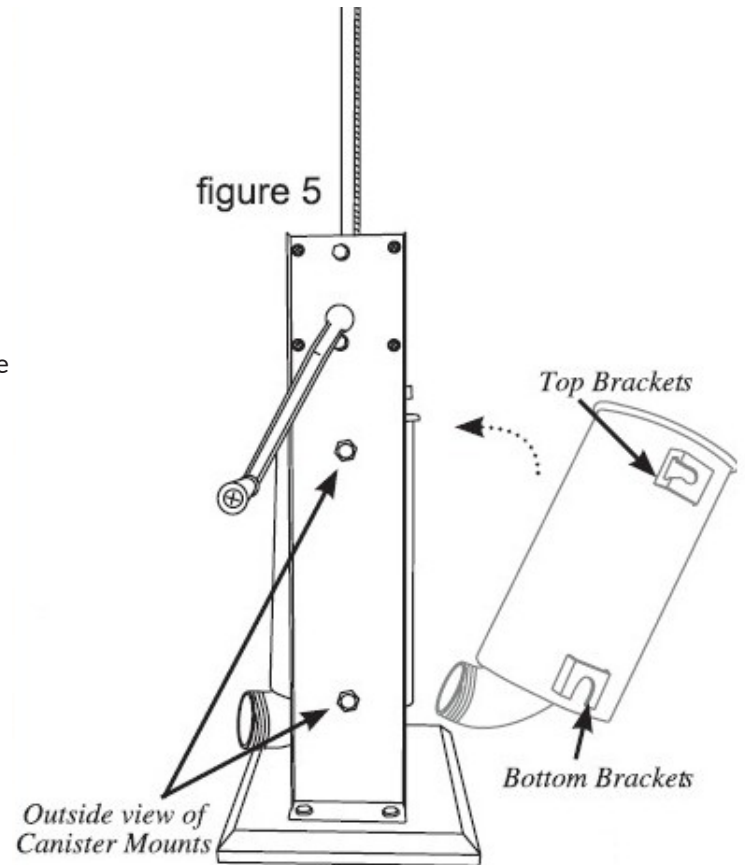
5. Attached the **Handle** by sliding it onto either the **Fast** or the **Slow Gear** (**figure 4**).
6. Crank the **Handle** to bring the **Plunger** to the top of the **Stuffer**.

...continued on next page



STUFFER ASSEMBLY continued

7. Rest **Canister's Bottom Brackets** onto the **Canister Mounts** inside the **Housing** of the **Stuffer**. Pivot the **Canister** fully into the **Stuffer Housing**, snapping the **Top Brackets** into the **Canister Mounts** (**figure 5**).
8. Insert the **Stuffing Funnel** of choice through the **Front Ring Nut**. Screw the **Front Ring Nut** and **Stuffing Funnel** onto the mouth of the **Canister** until snug. DO NOT OVERTIGHTEN the **Front Ring Nut**, as it may damage the **Funnel**. (**figure 6**)
9. Thoroughly coat the inside of the **Canister** with a food-grade lubricant prior to use. (**figure 7**)



Disassembly and Cleaning

NOTE: BE SURE TO CLEAN ALL PARTS IMMEDIATELY AFTER USE.

1. Remove the Stuffing Funnel by unscrewing the Front Ring Nut, and pulling the Funnel out.
2. Turn the Handle until the Plunger comes up and out of the Canister.
3. Pivot the Canister outward, then pull the Canister up to remove the Canister from the Stuffer Housing.
4. Unscrew the Plunger from the Plunger Shaft.
5. Disassemble the pressure release valve from the plunger.
6. Remove the plunger seal from the plunger.
7. Wash all parts that have come in contact with meat in hot soapy water.
8. Rinse and thoroughly dry all parts immediately.
9. Sterilize as needed.
10. Fully lubricate the Shaft, Canister, Pressure-Release Valve components and the Front Ring Nut with a food-grade lubricant before and after each use.

Stuffing Instructions

CAUTION! When the plunger is pulled out of the Canister, RELEASE THE HANDLE SLOWLY! Pressure or gravity could cause the Handle to spin back slightly and cause injury.

NOTE: Apply a food-grade lubricant to the inside of the Canister before filling with the meat mixture.

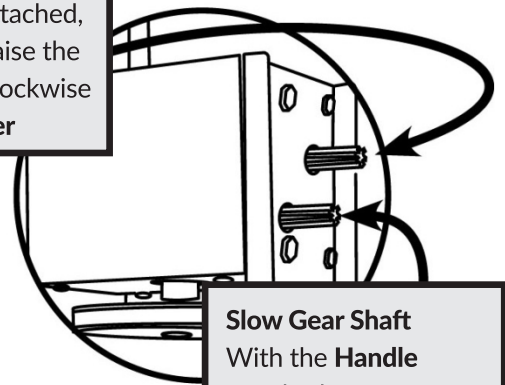
1. Tilt out the Canister
2. Fill the Canister with the meat and seasoning mixture (figure 8).
3. Press the mixture down into the Canister firmly to release any trapped air.
4. Pivot the Canister back into the upright position and snap the Top Brackets onto the Canister Mounts.
5. Turn the Handle until the Plunger comes in contact with the meat and the mixture is ready to extrude out the end of the Stuffing Funnel
6. Slip a casing on the end of the Stuffing Funnel until the entire casing has slid onto the Funnel.
7. Tie, twist or hog ring the end of the casing to seal it.
8. Turn the Handle to extrude the mixture into the casing.
9. For best results, apply pressure around the casing, close to the end of the Stuffing Funnel. This will hold the casing tight and will cause the mixture to pack firmly into the casing.
10. When the end of the casing has been reached, tie, twist or hog ring the end of the casing to seal the contents inside.

Fast Gear Shaft

With the **Handle** attached, turn clockwise to raise the **Plunger**; counter-clockwise to lower the **Plunger**

Slow Gear Shaft

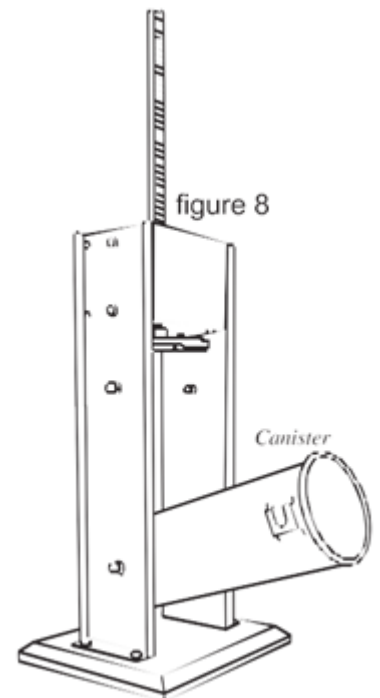
With the **Handle** attached, turn counter-clockwise to raise the **Plunger**; clockwise to lower the **Plunger**



STUFFING TIPS:

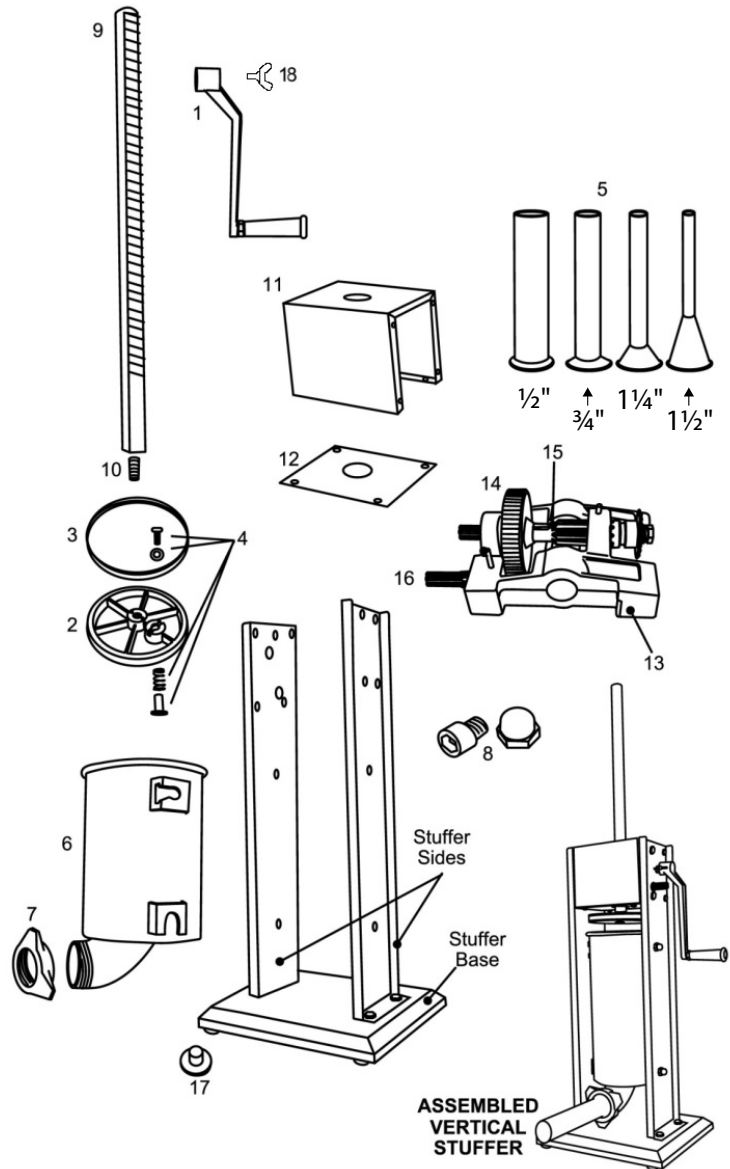
The following are suggestions to help reduce the resistance when stuffing with the 13 mm Stuffing Funnel.

- A. Add up to 1½ cups (400mL) of water per every 5 lb. (2.3 kg) of seasoned meat.
- B. Add ¼ cup (60ml) of vegetable or olive oil per every 5 lb. (2.3 kg) of seasoned meat for better flow.



Exploded Diagram and Parts List

Part #	Description
1	Handle
2	Plunger
3	Plunger Seal
4	Pressure Release Valve (4 Piece Set)
5	Stainless Steel Funnel Set (4 Funnels)
6	Stainless Steel Canister
7	Front Ring Nut
8	Canister Mounting Hardware Kit (4 Sets)
9	Plunger Shaft
10	Plunger Bolt
11	Gear Housing Cover with Hardware Kit
12	Gear Housing Cover Bottom Plate with Hardware Kit
13	Gear Housing with Hardware Kit
14	Main Driving Gear
15	Slow Speed Control Gear
16	Fast Speed Control Gear
17	Rubber Foot (4 Piece Set)
18	Butterfly Screw



Equipment Limited Warranty

Avantco warrants its equipment to be free from defects in material and workmanship for a period of 1 year. This is the sole and exclusive warranty made by Avantco covering your Avantco brand equipment. A claim under this warranty must be made within **1 year** from the **date of purchase** of the equipment. Only the equipment's original purchaser may make a claim under this warranty. Avantco reserves the right to approve or deny the repair or replacement of any part or repair request. The warranty is not transferable. Avantco Equipment installed in/on a food truck or trailer will be limited to a period of **30 days** from the original date of purchase.

To Make a Warranty Claim:

For Warranty Inquiries contact the location where you purchased the product:

- **WebstaurantStore.com:** Contact help@webstaurantstore.com. Please have your order number ready.
- **The Restaurant Store:** If you purchased this unit from your local store, please contact your store directly.
- **TheRestaurantStore.com:** Online purchases, call 717-392-7261. Please have your order number ready.

Failure to contact the designated location prior to obtaining equipment service may void your warranty.

Avantco makes no other warranties, express or implied, statutory or otherwise, and **HEREBY DISCLAIMS ALL IMPLIED WARRANTIES, INCLUDING THE IMPLIED WARRANTIES OF MERCHANTABILITY AND OF FITNESS FOR A PARTICULAR PURPOSE.**

This Limited Warranty does not cover:

- Equipment sold or used outside the Continental United States
- Use of unfiltered water (if applicable)
- Avantco has the sole discretion on wearable parts not covered under warranty
- Equipment not purchased directly from an authorized dealer
- Equipment used for residential or other non-commercial purposes
- Equipment that has been altered, modified, or repaired by anyone other than an authorized service agency
- Equipment where the serial number plate has been removed or altered.
- Damage or failure due to improper installation, improper utility connection or supply, and issues resulting from improper ventilation or airflow.
- Defects and damage due to improper maintenance, wear and tear, misuse, abuse, vandalism, or Act of God.

Any action for breach of this warranty must be commenced within 1 year of the date on which the breach occurred. No modification of this warranty, or waiver of its terms, shall be effective unless approved in a writing signed by the parties. The laws of the Commonwealth of Pennsylvania shall govern this warranty and the parties' rights and duties under it. Avantco shall not under any circumstances be liable for incidental or consequential damages of any kind, including but not limited to loss of profits.