



We strive to ensure that our products are of the highest quality and free of manufacturing defects or missing parts. However, you have any problems with your new product,

**DO NOT RETURN IT TO THE STORE,**

please contact us toll free @:

**1-888-996-2729**

**FAX: 1-866-873-3531**

**gameroom@escaladesports.com**

Or write to:

Escalade Sports

Customer Service Department

P.O. Box 889

Evansville IN 47706

Please visit our Web site at:

**[www.escaladesports.com](http://www.escaladesports.com)**

Please have your model number when inquiring about parts.

When contacting Escalade Sports please provide your model number, date code (if applicable) and part number if requesting a replacement part. These numbers are located on the product, packaging, and this owners manual.

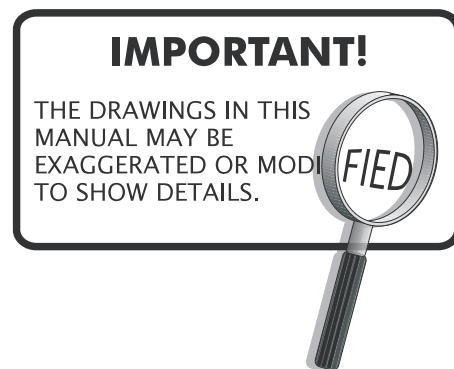
Your Model Number **G04865W**

Date Code **2 - G04865W - - HL**

Purchase Date \_\_\_\_\_

PLEASE RETAIN THIS INSTRUCTION MANUAL FOR FUTURE REFERENCE

**IMPORTANT! READ EACH STEP  
IN THIS MANUAL BEFORE YOU  
BEGIN THE ASSEMBLY.**



## FOUR ADULTS ARE REQUIRED TO ASSEMBLE THIS TOP SHELF 90” AIR HOCKEY TABLE

### Tools Required:

- T1 - Allen Wrench (Included)
- Phillips Screwdriver
- Furniture Polish and Cloth

An electric screwdriver is helpful in assembly. However, please set at low torque and use extreme caution with an electric screwdriver because you could overtighten the hardware and strip the screws.

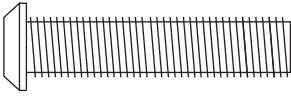
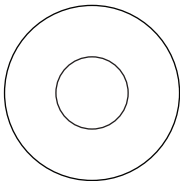
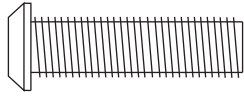
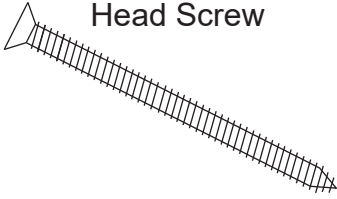
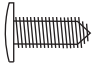



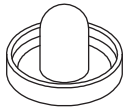
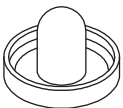


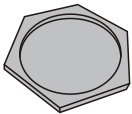

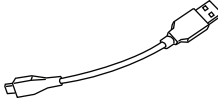


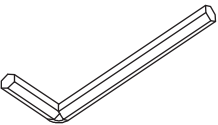
## Assembly Tips

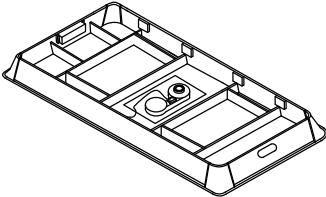
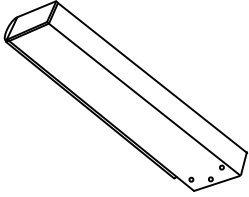
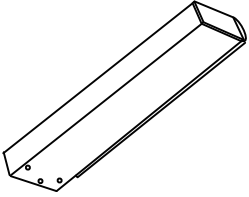
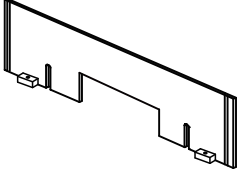
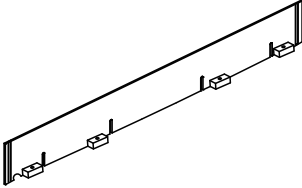
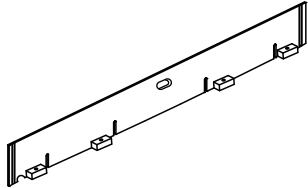
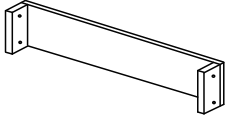
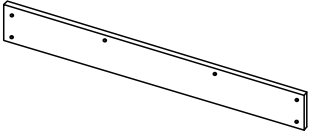
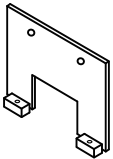
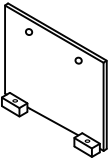
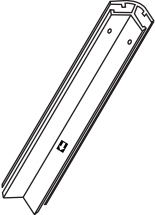
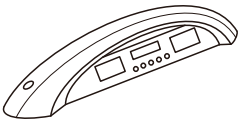
Make sure you understand the following tips before you begin to assemble your hockey table.

1. Start all bolts by hand before tightening.
2. Some drawings or images in this manual may not look exactly like your product. Please read and understand the text before starting each assembly step.

### **WARNING:**

**READ AND FOLLOW ALL ASSEMBLY, OPERATION, AND  
SAFETY INSTRUCTIONS CAREFULLY. AT LEAST TWO  
ADULTS ARE NEEDED TO PUT THIS HOCKEY TABLE  
TOGETHER.**

|  |  |  |  |
|--|--|--|--|
| <p><b>H1</b> = 28 pcs<br/>8 mm x 35 mm<br/>Allen Head Bolt</p>                                      | <p><b>H2</b> = 32 pcs<br/>8.5 mm x 22 mm<br/>Flat Washer</p>                  | <p><b>H3</b> = 4 pcs<br/>8 mm x 28 mm<br/>Allen Head Bolt</p>    | <p><b>H4</b> = 16 pcs<br/>4 mm x 45 mm<br/>Phillips Flat<br/>Head Screw</p>                         |
| <p><b>H5</b> = 8 pcs<br/>3.5 mm x 12 mm<br/>Phillips Round<br/>Head Screw</p>                       | <p><b>H6</b> = 2 pcs<br/>3.5 mm x 14 mm<br/>Phillips Flat<br/>Head Screw</p>  | <p><b>H7</b> = 2 pcs<br/>3.5 mm x 18 mm<br/>Phillips Round<br/>Head Screw</p>    | <p><b>H8</b> = 8 pcs<br/>3.5 mm x 33 mm<br/>Phillips Round<br/>Head Screw</p>                       |
| <p><b>A1</b> = 1 pc<br/>Blue LED Striker</p>    | <p><b>A2</b> = 1 pc<br/>Red LED Striker</p>                                 | <p><b>A3</b> = 2 pcs<br/>Felt Pad</p>  <p><small>NOTE: A3 Felt Pads may already be attached to A1 and A2 Strikers.</small></p> | <p><b>A4</b> = 1 pc<br/>Blue LED Puck</p>   |
| <p><b>A5</b> = 1 pc<br/>Red LED Puck</p>    | <p><b>A6</b> = 1 pc<br/>Red Puck</p>                                        | <p><b>A7</b> = 1 pc<br/>USB Cable</p>  <p><small>Used to charge A1 and A2 Strikers only</small></p>                            | <p><b>A8</b> = 3 pcs<br/>1mm Shim Pack</p>  <p><small>Used to level table if required</small></p> |
| <p><b>A9</b> = 3 pcs<br/>2mm Shim Pack</p>  <p><small>Used to level table if required</small></p> | <p><b>T1</b> = 1 pc<br/>Allen Wrench</p>                                    |  |  |

|  |  |   |   |
|--|--|---|---|
| <p><b>P1</b> = 1 pc<br/>Air Hockey<br/>Table Cabinet</p>    | <p><b>P2</b> = 2 pcs<br/>Left Leg</p>                         | <p><b>P3</b> = 2 pcs<br/>Right Leg</p>      | <p><b>P4</b> = 2 pcs<br/>End Apron</p>         |
| <p><b>P5</b> = 1 pcs<br/>Side Apron</p>                     | <p><b>P6</b> = 1 pcs<br/>Side Apron with<br/>ON/OFF Slot</p>  | <p><b>P7</b> = 2 pcs<br/>End Leg Panel</p>  | <p><b>P8</b> = 2 pcs<br/>Side Leg Panel</p>    |
| <p><b>P9</b> = 1 pc<br/>Side Leg<br/>Support Board A</p>  | <p><b>P10</b> = 1 pc<br/>Side Leg<br/>Support Board B</p>   | <p><b>P11</b> = 4 pcs<br/>Corner Post</p>  | <p><b>P12</b> = 1 pc<br/>Scorer Console</p>  |

**PARTS REQUIRED:**

1 pc - **P1** Air Hockey Table Cabinet

12 pcs - **H2** 8.5 x 22mm Flat Washer

2 pcs - **P2** Left Leg

2 pcs - **P3** Right Leg

1 pc - **T1** Allen Wrench

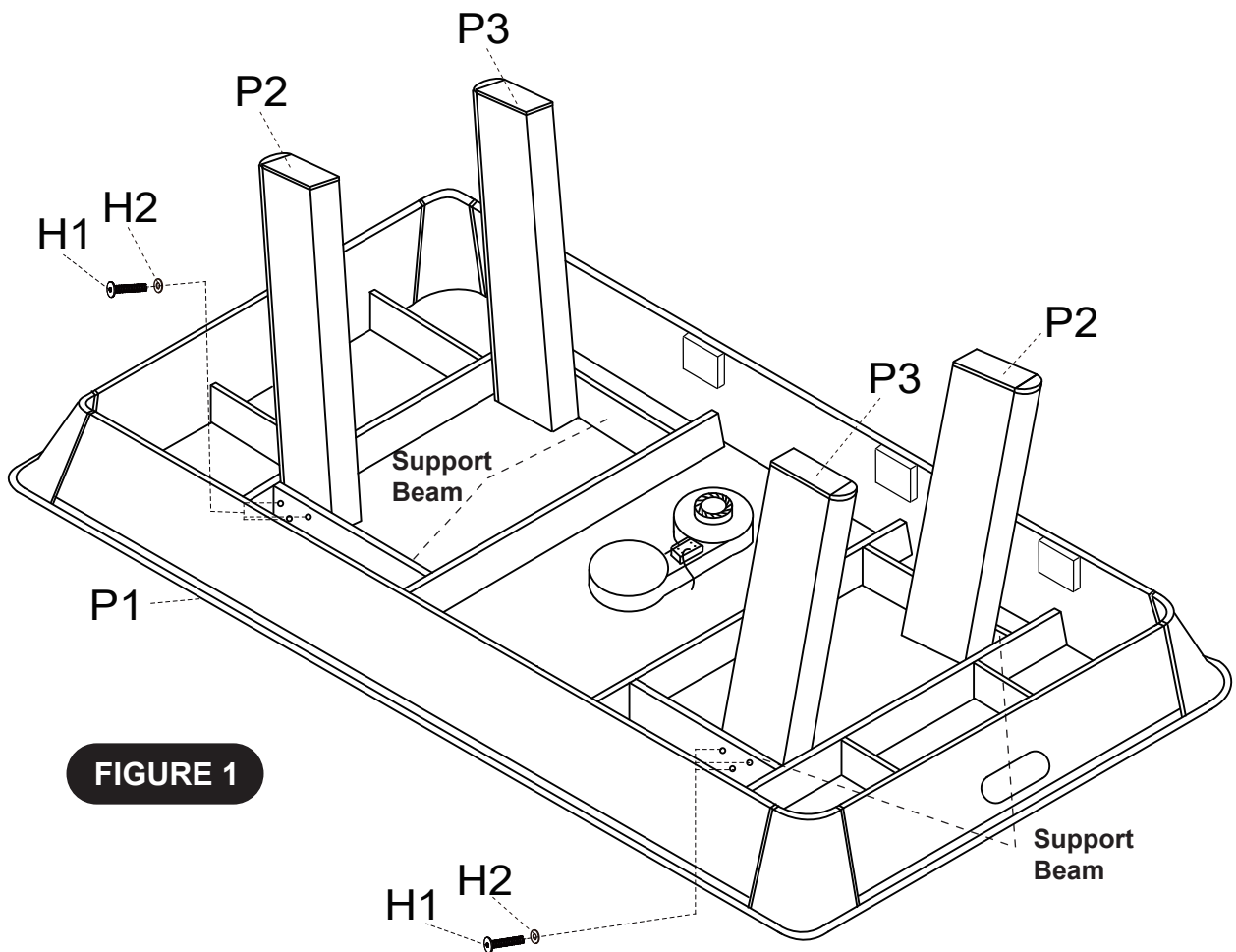
12 pcs - **H1** 8 x 35mm Allen Head Bolt

**STEP:1**

Leave Air Hockey Table Cabinet (**P1**) face down in carton to assemble.

Install Left Legs (**P2**) and Right Legs (**P3**) onto Air Hockey Table Cabinet (**P1**) with Allen Head Bolts (**H1**) and Flat Washers (**H2**) using Allen Wrench (**T1**) as shown in **FIGURE 1**.

**Do not tighten Bolts (H1) at this time.**



**NOTE:BE SURE LEFT LEGS(P2) AND RIGHT LEGS(P3) ARE INSTALLED INSIDE OF SUPPORT BEAMS AS PER DIAGRAM**

**PARTS REQUIRED:**

16 pcs - **H1** 8 x 35mm Allen Head Bolt

20 pcs - **H2** 8.5 x 22mm Flat Washer

4 pcs - **H4** 4 x 45mm Philips Flat Head Screw

2 pcs - **P7** End Leg Panel

4 pcs - **H3** 8 X 28mm Allen Head Bolt

2 pcs - **P8** Side Leg Panel

1 pc - **P9** Side Leg Support Board A

1 pc - **P10** Side Leg Support Board B

**STEP:2**

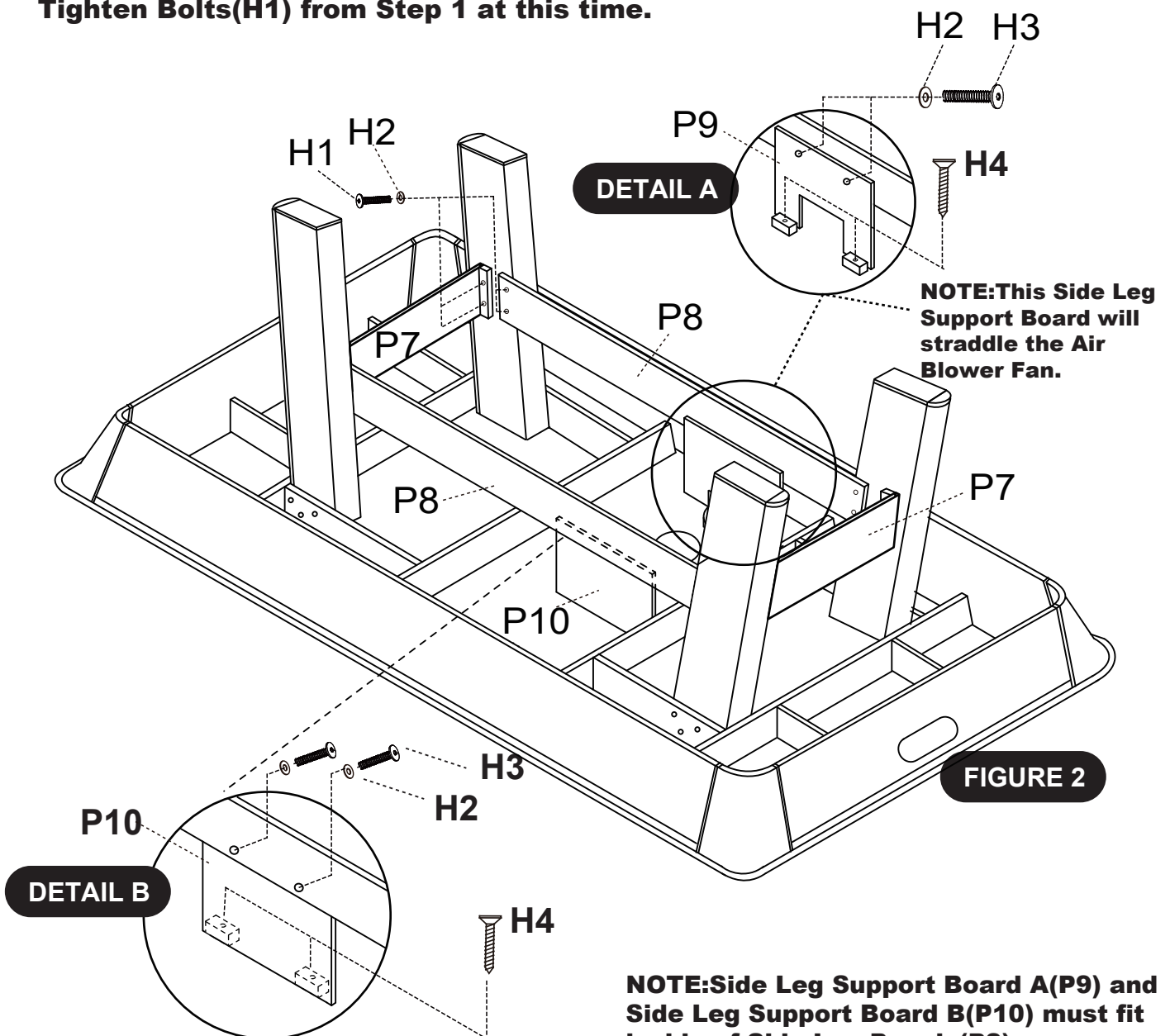
Install End Leg Panels (**P7**) and Side Leg Panels (**P8**) onto the Legs using Bolts (**H1**) and Flat Washers (**H2**) as shown in **FIGURE 2**

Next, install Side Leg Support Board A (**P9**) and Side Leg Support Board B (**P10**) onto inside of Side Leg Panels (**P8**) with Bolts (**H3**) and Flat Washers (**H2**) using Allen Wrench (**T1**) as shown in **DETAIL A** and **DETAIL B**.

Next, screw Side Leg Support Board A (**P9**) and Side Leg Support Board B (**P10**) to Air Hockey Table Cabinet (**P1**) using Screws (**H4**) as shown in **DETAIL A** and **DETAIL B**.

**Do not strip out Screws(H4).**

**Tighten Bolts(H1) from Step 1 at this time.**



### PARTS REQUIRED:

4 pcs - **H8** 3.5x 33mm Philips Round Head Screw    12 pcs - **H4** 4 x 45mm Philips Flat Head Screw  
8 pcs - **H5** 3.5 x 12mm Philips Round Head Screw    1 pc - **P6** Side Apron with ON/OFF Slot  
2 pcs - **P4** End Apron    1 pc - **P5** Side Apron    4 pcs - **P11** Corner Post

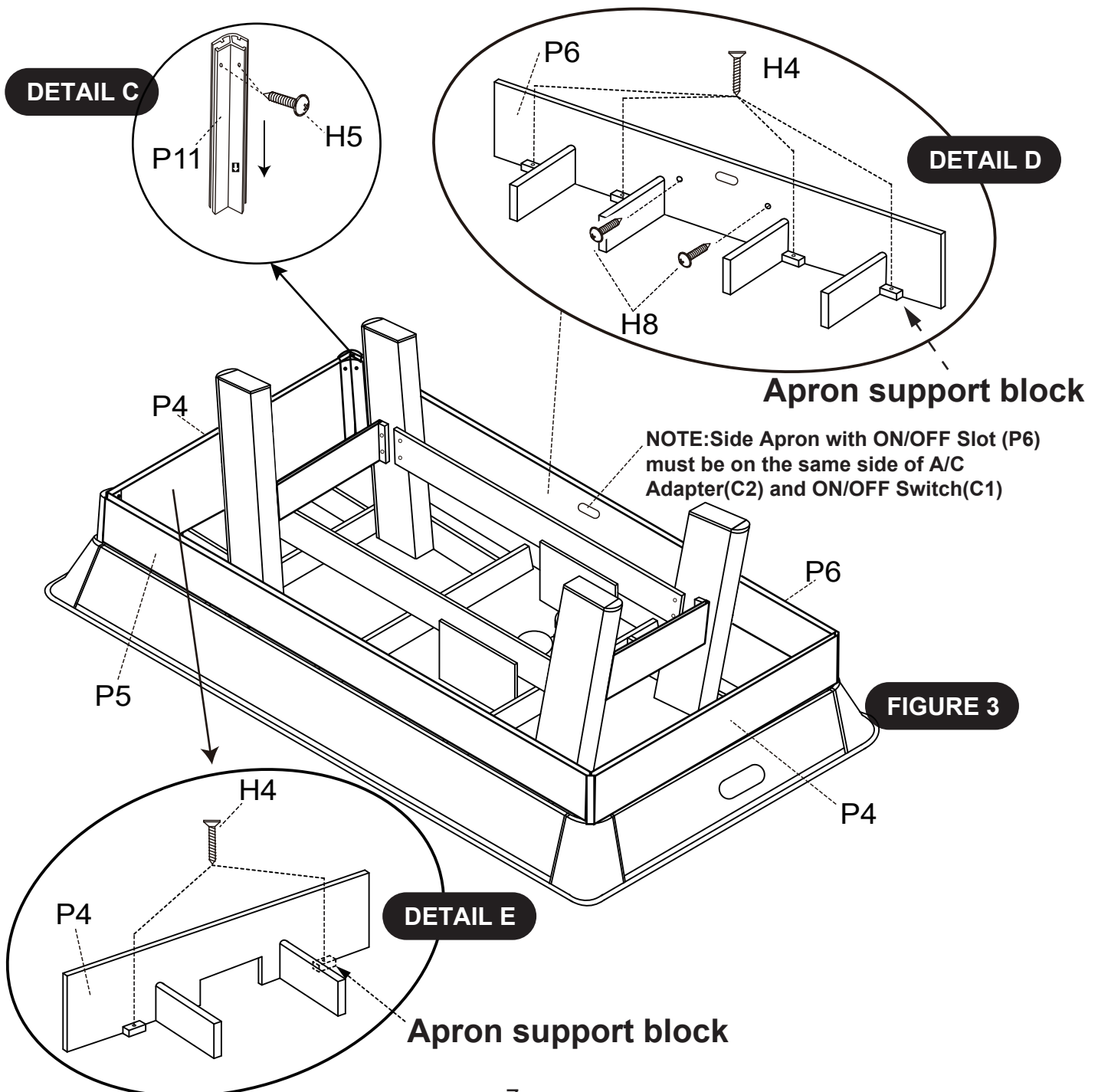
### STEP:3

Install End Aprons (**P4**), Side Apron (**P5**) and Side Apron with ON/OFF Slot (**P6**) as shown in **FIGURE 3**.

Slide Corner Posts (**P11**) down onto each end of End Aprons and Side Aprons, and attached them using Screws (**H5**) as shown in **DETAIL C**.

Next, Attach all apron support blocks to the main cabinet using screws (**H4**) as per **DETAIL D** and **DETAIL E**.

Lastly, install screws (**H8**) using predrilled holes into side aprons only as shown in **DETAIL D**  
**Tighten, but do not strip out any Screws.**



**PARTS REQUIRED:**

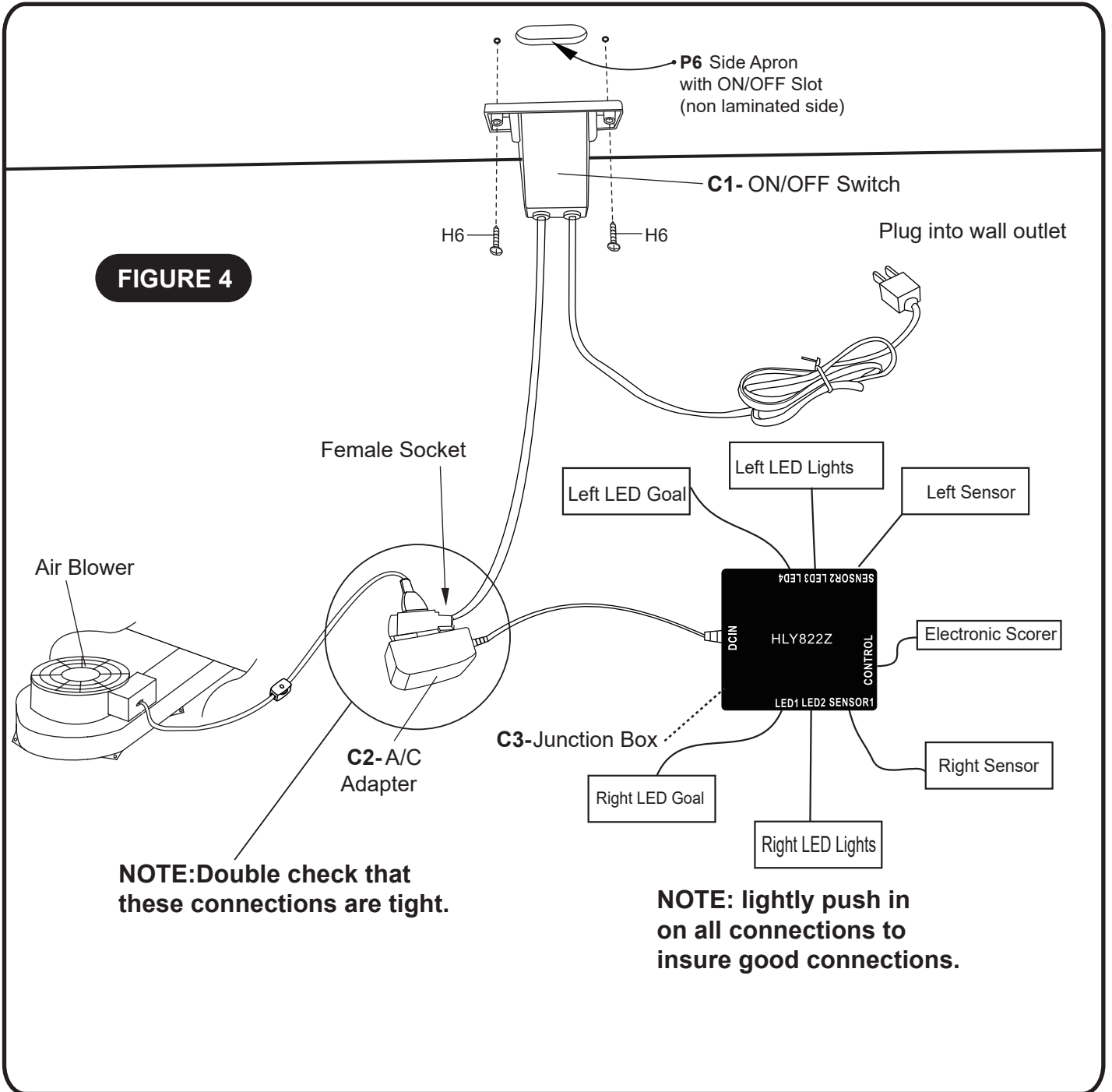
2 pcs - **H6** 3.5 x 14mm Philips Flat Head Screw

1 pc - **C1** ON/OFF Switch

**STEP:4**

Install ON/OFF Switch (**C1**) onto inside of Side Apron with ON/OFF Slot (**P6**) using pre-drilled holes with Philips Flat Head Screws (**H6**) as shown in **FIGURE 4**.

**Tighten, but do not strip out Screws (H6).**





**PARTS REQUIRED:**

2 pcs - **H7** 3.5 x 18mm Philips Round Head Screw

1 pc - **P12** Scorer Console

**STEP:5**

With the help of at least four other adults, carefully lift and rotate table into upright position. First, feed the Scorer Console (**P12**) plug down through the hole on one side of the long top rail as shown in **FIGURE 6**.

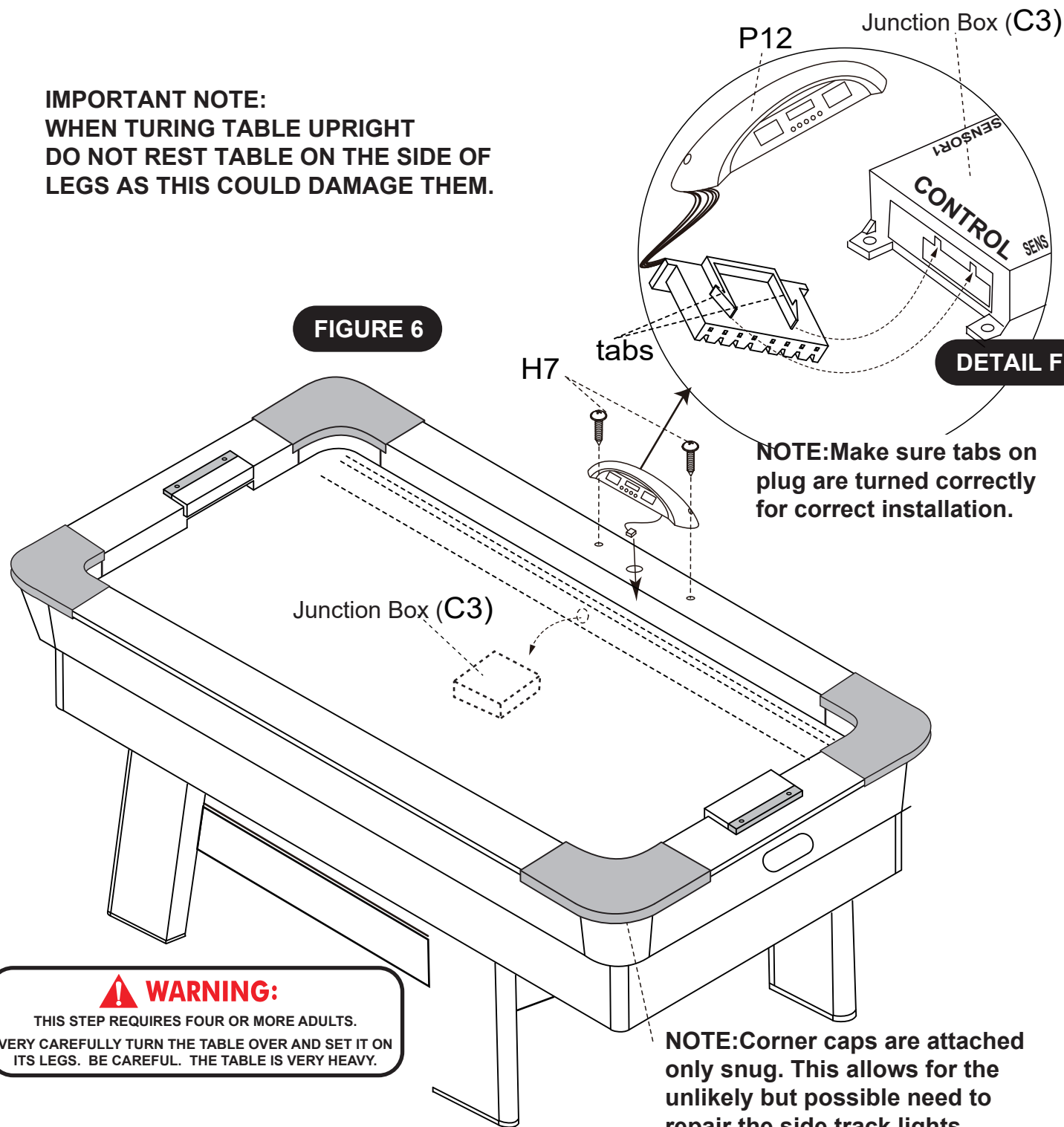
Next, connect the Scorer Console plug to Junction Box (**C3**) as shown in **DETAIL F**.

Next, install Scorer Console (**P12**) onto long top rail using Philips Round Head Screws (**H7**) as shown in **FIGURE 6**.

**Tighten, but do not strip out Screws (H7).**

**IMPORTANT NOTE:**  
**WHEN TURNING TABLE UPRIGHT**  
**DO NOT REST TABLE ON THE SIDE OF**  
**LEGS AS THIS COULD DAMAGE THEM.**

**FIGURE 6**



**WARNING:**

THIS STEP REQUIRES FOUR OR MORE ADULTS.  
VERY CAREFULLY TURN THE TABLE OVER AND SET IT ON  
ITS LEGS. BE CAREFUL. THE TABLE IS VERY HEAVY.

**NOTE:** Corner caps are attached only snug. This allows for the unlikely but possible need to repair the side track lights .

**Congratulations! You have now assembled your Hockey Table. Please note the Care and Use instructions below to ensure many years of trouble free use of your Hockey Table.**

**NOTE: Use A8 and A9 Shim packs alone with a carpenter's level to level table.**

## **CARE AND USE OF YOUR HOCKEY TABLE**

1. Use only a suitable 120v AC household outlet, and insure the cord is not a trip hazard.
2. For long life and best play from your air hockey table, apply spray furniture polish to a clean cloth and wipe down the playfield with air motor running to make the st play and frequently thereafter.
3. This product is intended for **INDOOR** use only.
4. **DO NOT** operate the motor if the cord is damaged in any way.
5. **DO NOT** sit, climb or lean on the table.
6. **DO NOT** drag the table when moving it. This will damage the legs.
7. **DO NOT** set drinks on the table.
8. It is suggested that this table be placed close to wall thus allowing the air motor cord to **NOT** be a trip hazard. Always turn air motor off when table is not in use.

## **HOCKEY GAME RULES:**

1. This game is designed to be played with two (2) players, one at each end, or with four (4) players, two at each end of the game table.
2. Flip a coin to determine who will begin play, or a face-off can be held at the center of the table.
3. Play begins when the puck is placed on the playing surface. Players must hit the puck with the strikers and attempt to shoot into the opponent's goal.
4. One point is awarded when a puck is shot into the opponent's goal.
5. Winning the game: the winning score is accomplished by being the first player to reach a predetermined score or by being the player to score the most points within a given period of time.

## **ELECTRONIC SCORER OPERATION:**

**POWER ON/OFF** = Press POWER ON/OFF button to start or turn off the scoring unit.

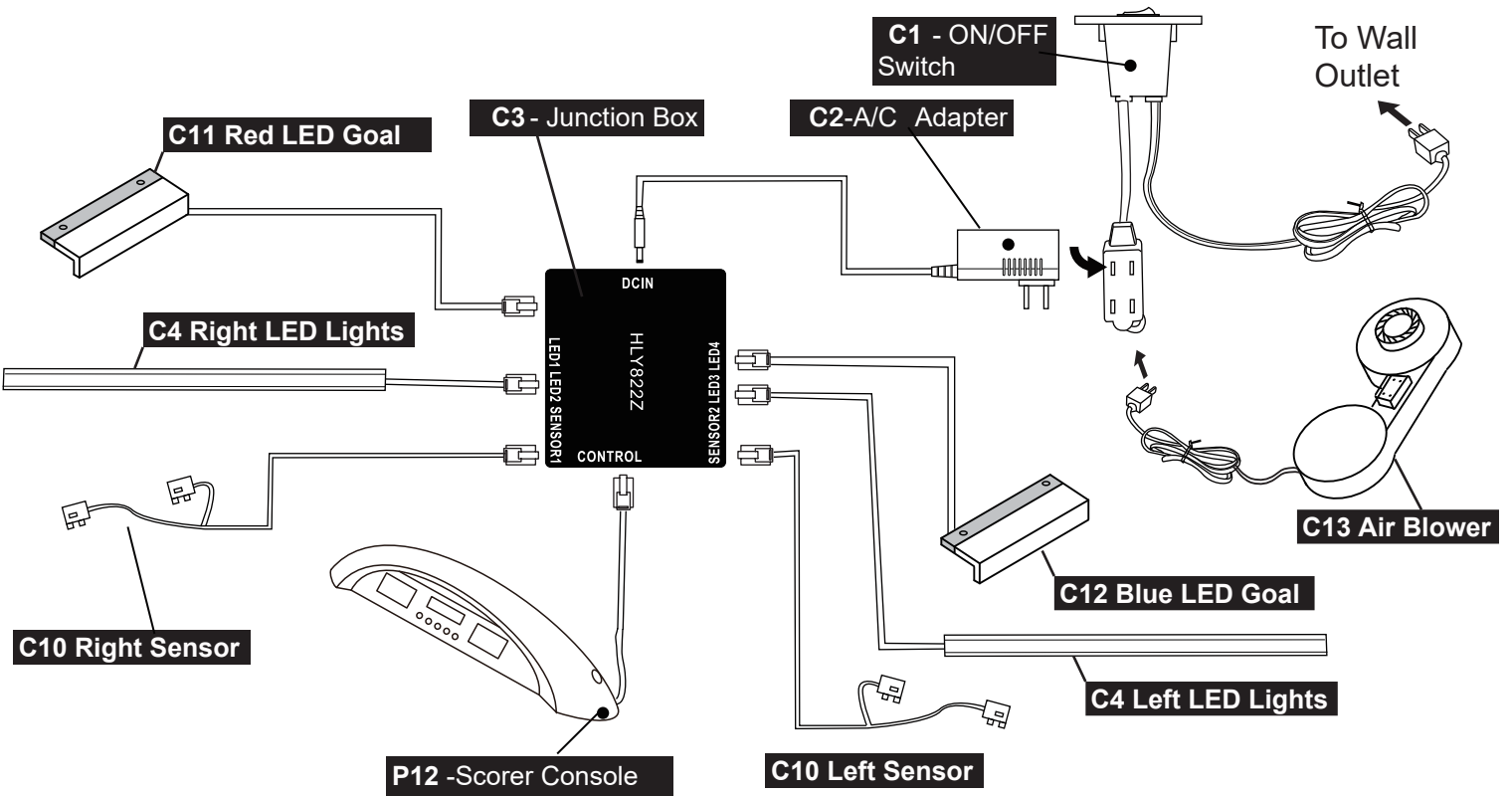
**START/PAUSE** = Press START/PAUSE button to START the game. Press START/PAUSE button during game will PAUSE or RESUME the game.

**LIGHT ON/OFF** = Press LIGHT ON/OFF button to turn on or turn off the Light.

**SELECT/RESET** = Press SELECT/RESET button to select time options 5, 10, 15 minutes or No Time Limit. Long press SELECT/RESET button to reset back to the game option.

**SOUND ON/OFF** = Press Sound ON/OFF button to turn on or turn off the Sound.

# ELECTRICAL CONNECTIONS & SPARE PARTS DRAWINGS



## PRODUCT PARTS LIST

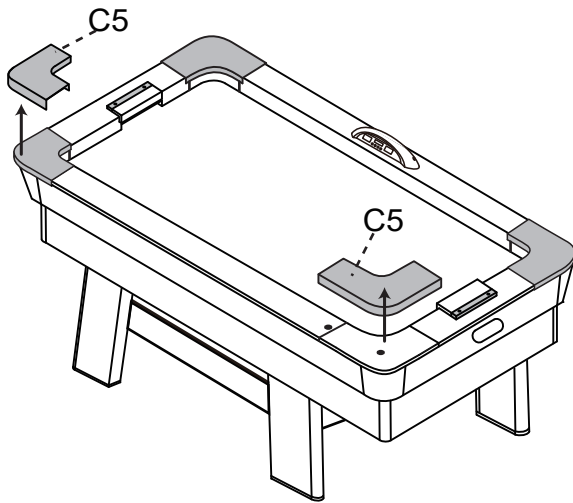
MODEL: G04865

| Part#      | Description                           | Qty | Part#       | Description                          | Qty |
|------------|---------------------------------------|-----|-------------|--------------------------------------|-----|
| G04865HLH1 | 8 x 35 mm Allen Head Bolt             | 28  | G04865HLP1  | Air Hockey Table Cabinet (no motor)  | 1   |
| G04865HLH2 | 8.5 x 22 mm Flat Washer               | 32  | G04865HLP2  | Left Leg                             | 2   |
| G04865HLH3 | 8 x 28 mm Phillips Round Head Screw   | 4   | G04865HLP3  | Right Leg                            | 2   |
| G04865HLH4 | 4 x 45 mm Phillips Flat Head Screw    | 16  | G04865HLP4  | End Apron                            | 2   |
| G04865HLH5 | 3.5 x 12 mm Phillips Round Head Screw | 8   | G04865HLP5  | Side Apron                           | 1   |
| G04865HLH6 | 3.5 x 14 mm Phillips Flat Head Screw  | 2   | G04865HLP6  | Side Apron with ON/OFF Slot          | 1   |
| G04865HLH7 | 3.5 x 18 mm Phillips Round Head Screw | 2   | G04865HLP7  | End Leg Panel                        | 2   |
| G04865HLH8 | 3.5 x 33 mm Phillips Round Head Screw | 4   | G04865HLP8  | Side Leg Panel                       | 2   |
| G04865HLA1 | BLUE LED Striker                      | 1   | G04865HLP9  | Side Leg Support Board A             | 1   |
| G04865HLA2 | RED LED Striker                       | 1   | G04865HLP10 | Side Leg Support Board B             | 1   |
| G04865HLA3 | Felt Pad                              | 2   | G04865HLP11 | Corner Post                          | 4   |
| G04865HLA4 | Blue LED Puck                         | 1   | G04865HLP12 | Scorer Console                       | 1   |
| G04865HLA5 | Red LED Puck                          | 1   | G04865HLC1  | ON/OFF Switch                        | 1   |
| G04865HLA6 | Red Puck                              | 1   | G04865HLC2  | A/C Adapter                          | 1   |
| G04865HLA7 | USB Cable                             | 1   | G04865HLC3  | Junction Box                         | 1   |
| G04865HLA8 | 1 mm Shim Pack                        | 3   | G04865HLC4  | Lighting LED Rail                    | 10  |
| G04865HLA9 | 2 mm Shim Pack                        | 3   | G04865HLC5  | Corner Cap                           | 4   |
| G04865HLT1 | M5 Allen Wrench                       | 1   | G04865HLC6  | Side Top Rail                        | 2   |
| G04865HLK1 | Hardware Kit                          | 1   | G04865HLC7  | 8 x 25 mm Allen Head Bolt            | 4   |
| G04865HLM1 | Owner's Manual                        | 1   | G04865HLC8  | 3 x 9 mm Philips Round Head Screw    | 30  |
|            |                                       |     | G04865HLC9  | 8.5 x 22 mm Flat Washer              | 4   |
|            |                                       |     | G04865HLC10 | Lower Puck Catcher with Sensor Wires | 2   |
|            |                                       |     | G04865HLC11 | Red LED Goal                         | 2   |
|            |                                       |     | G04865HLC12 | Blue LED Goal                        | 2   |
|            |                                       |     | G04865HLC13 | Air Blower                           | 1   |

# Replacement of LED Light Rail

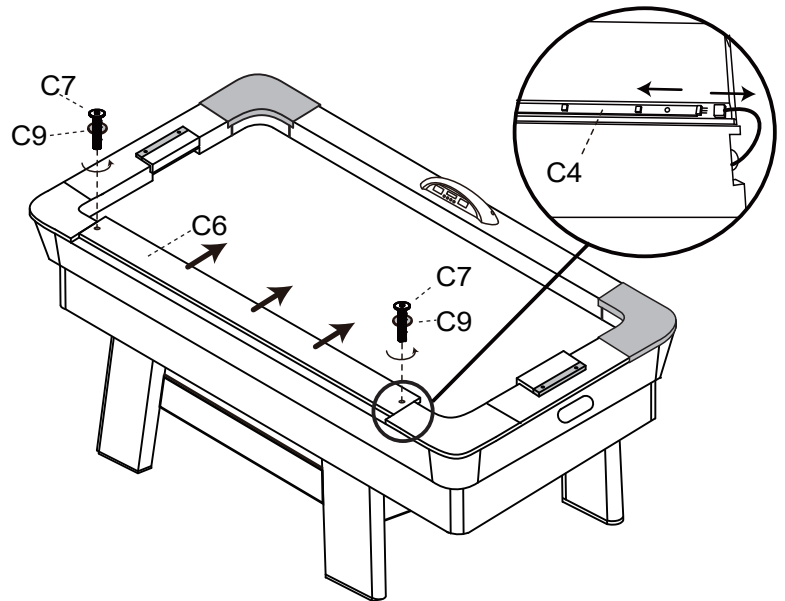
## STEP ONE :

Remove Corner Caps (C5) from the table top rail.



## STEP TWO :

Unscrew Bolts (C7) and slide Side Top Rail (C6) from Air Hockey Table Cabinet (P1). And then unplug the Lighting LED Rail (C4).



## STEP THREE :

Unscrew Screws (C8), and separate Lighting LED Rail (C4) from each other.

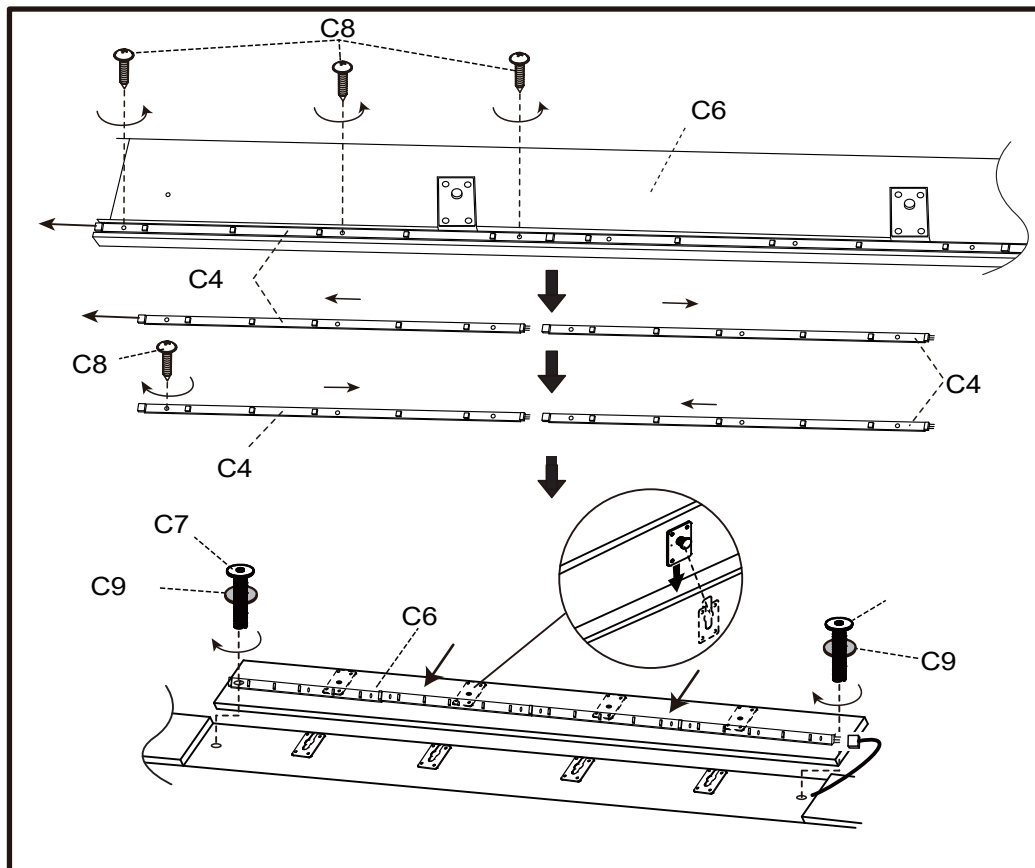
Align the male and female connectors of the well Lighting LED Rail (C4), and Install them back to Side Top Rail (C6) using Screws (C8) as shown in the diagram.

Next, connect the plug of Lighting LED Rail (C4).

Slide back and screw Side Top Rail (C6) to the table top rail using Bolts (C7) and washers (C9).

Lastly, press Corner Caps (C5) back to the table top rail.

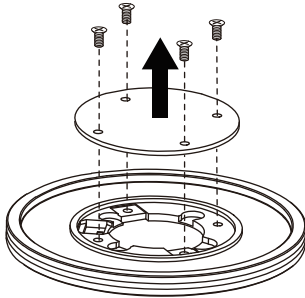
**Tighten, but do not strip out screws (C8).**



# LED PUCK BATTERY CHANGE INSTRUCTION

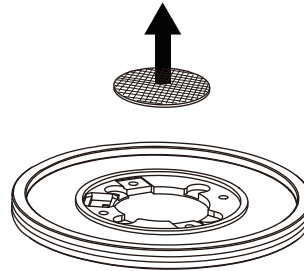
## STEP ONE:

Remove screws and back cap from LED Puck using **Small Phillips Screwdriver** (not provided).

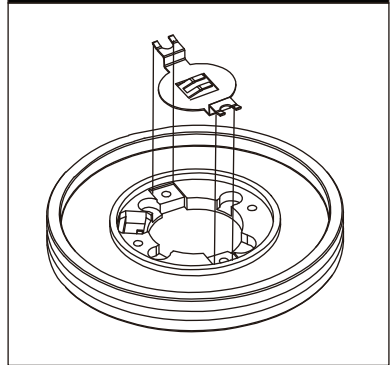


## STEP TWO:

Remove CR2016 Lithium Battery 3V from LED Puck.

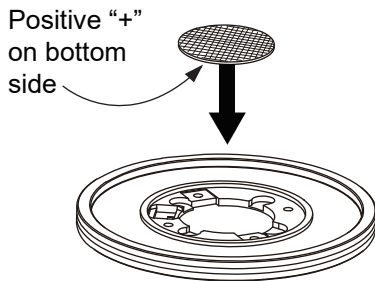


**IF BATTERY HOLDER BRACKET MOVES, RE-INSTALL IT TO LED PUCK AS SHOWN IN DIAGRAM.**



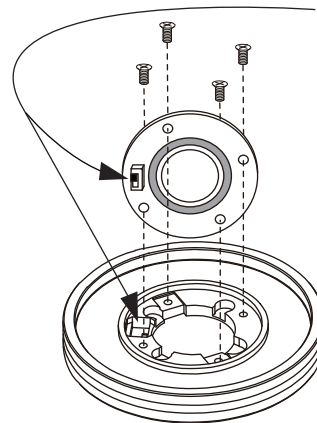
## STEP THREE:

Insert new CR2016 Lithium Battery 3V into LED Puck.



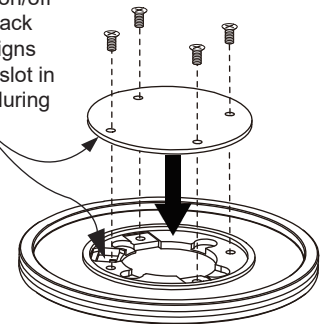
## STEP FOUR:

Install back cap and secure screws with Phillips Screwdriver (not provided).



### NOTE:

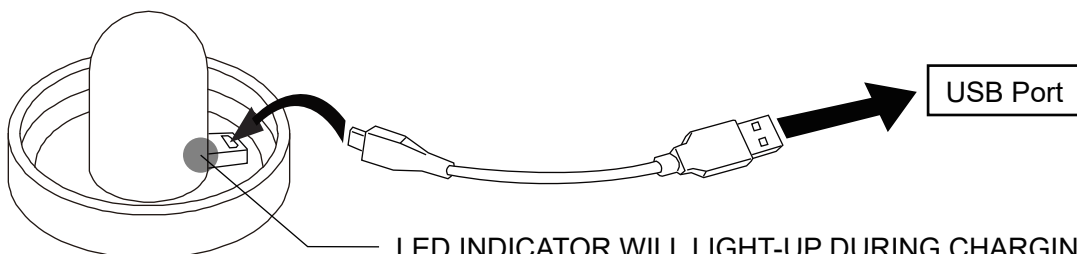
Make sure the on/off switch on the back cap properly aligns and fits into its slot in the LED puck during reassembly



## Helpful Hint:

The LED puck battery will last approximately 7 hours of continuous play. The puck battery is not rechargeable. Be sure to turn the switch to the "OFF" position when **not in use to conserve your battery life.**

# LED STRIKER BATTERY CHARGE INSTRUCTION



LED INDICATOR WILL LIGHT-UP DURING CHARGING AND WILL TURN OFF WHEN ITS FULLY CHARGED.

## Helpful Hint:

The LED strikers each will require about 4 hours to fully charge up and will last approximately 7 hours of continuous play time. Be sure to turn the switch to the "OFF" position when not in use.

## 90 DAY LIMITED WARRANTY

This customer warranty extends to the original owner, on the purchase of any ESCALADE SPORTS Product (hereinafter referred as the "Product").

**WARRANTY DURATION:** This Product is warranted to the original owner, for a period of 90 days from the original purchase.

**WARRANTY COVERAGE:** ESCALADE SPORTS warrants to the original owner, this product to be free from defects in material and workmanship when used for the intended purpose under normal use and conditions. THIS WARRANTY IS VOID IF THE PRODUCT HAS BEEN DAMAGED BY ACCIDENT, UNREASONABLE USE, NEGLIGENCE, IMPROPER SERVICE, FAILURE TO FOLLOW INSTRUCTIONS PROVIDED WITH THE PRODUCT OR OTHER CAUSES NOT ARISING OUT OF DEFECTS IN MATERIAL AND WORKMANSHIP.

**WARRANTY REPLACEMENT:** During the above 90 day warranty period, ESCALADESPORTS shall provide replacement components or replace with a comparable product at our choosing. If product is defective under normal use and proper care, please contact our Customer Service Dept.

1-888-996-2729 / Customer Service Dept.

Or Write us at:

Escalade® Sports, Inc. - P.O. Box 889, Evansville, IN 47706

Attn: Customer Service Dept.

Or E-mail us at:

gameroom@escaladesports.com

Other than shipping requirements, no charge will be made for such replacement of in-warranty products.

**WARRANTY DISCLAIMERS:** ANY IMPLIED WARRANTIES ARISING OUT OF THIS SALE, INCLUDING BUT NOT LIMITED TO THE IMPLIED WARRANTIES OF MERCHANTABILITY AND FITNESS FOR A PARTICULAR PURPOSE, ARE LIMITED IN DURATION TO THE ABOVE 90 DAY PERIOD. ESCALADE SPORTS SHALL NOT BE LIABLE FOR LOSS OF USE OF THE PRODUCT OR OTHER CONSEQUENTIAL OR INCIDENTAL COSTS, EXPENSES OR DAMAGES INCURRED BY THE CONSUMER OF ANY OTHER USE.

Some states do not allow the exclusion or limitation of implied warranties or consequential or incidental damages, so the above limitations or exclusions may not apply to you.

**LEGAL REMEDIES:** This warranty gives you specific legal rights and you may also have other rights which may vary from state to state.