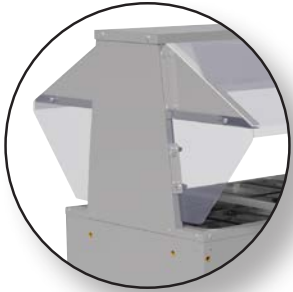


OPTIONAL ACCESSORIES



Acrylic Side Panels for Buffet Shelf

Add side panels to meet
additional NSF requirements
(2 panels per end)

TBP-1 (One End)

TBP-2 (Two Ends)

**For Further Assistance
Contact Customer Service at:
800-645-3166
or
customer@advancetabco.com**



Edgewood, New York 11717-8380

©ADVANCE TABCO MAY 2015



Installation Instructions For TBS SERIES DOUBLE SIDED SELF-SERVE BUFFET SHELF



**CHECK FOR CONCEALED DAMAGE
FILE CLAIM WITH DELIVERING FREIGHT CARRIER**

Contents:

- (20) 1/4" - 20 x 1/2" PHP Machine Screws
- (4) #10 x 1/2" PHP Sheet Metal Screws
- (24) Dome Cap Nuts

Tools Required:

- Philip's Head Screw Driver
- Pliers

STEP 1: Remove the existing Sheet Metal Screws (H) on the side of the hot food table and use the holes to line up the side (A), then secure the side to the unit with the Sheet Metal Screws. **Figure 1.**

STEP 2: Attach the sneeze guard support angles (D) to each end of the sneeze guards (B) using the Glass Clips and Dome Cap Screws that are on the inside of the Angle Brackets. There will be two right side Angle Brackets and two left side Angle Brackets. **Figure 2.**

STEP 3: Place the stainless steel top (C) down on to the supports and secure the top to the sides using the Dome Cap Screws (G). **Figure 3.**

STEP 4: Slide the assembled Plexiglass sections under the top (C) & secure the Angle Brackets to the uprights using insert screws (F). **Figure 4.**

STEP 5: Place bracket (E) onto the studs on the underside of the top (C) and secure the Plexiglass in place using Dome Cap Screws (G). This will help support the Plexiglass. The number of these brackets will vary on the size of the unit.

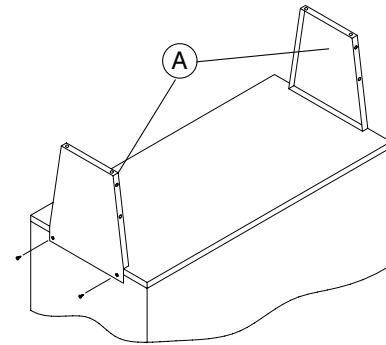
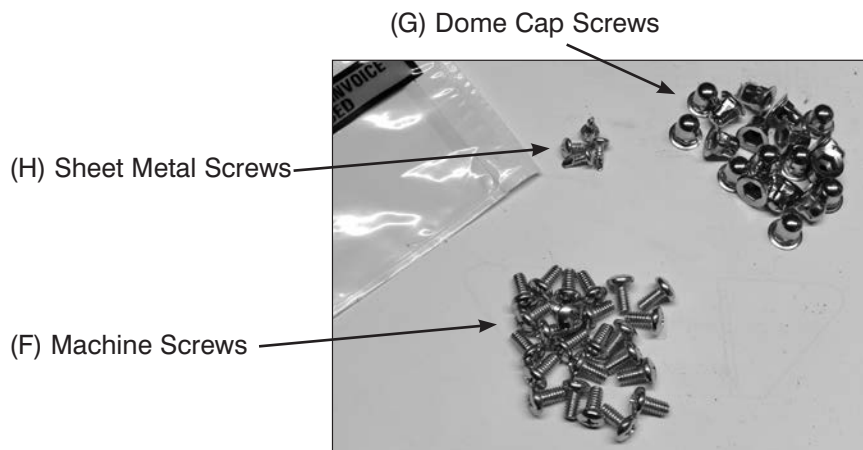


Figure 1

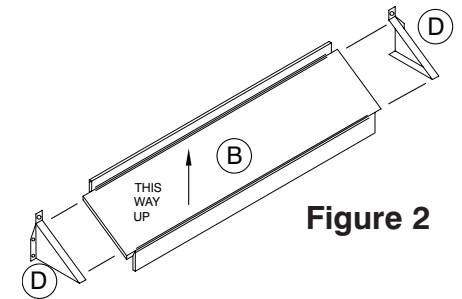


Figure 2

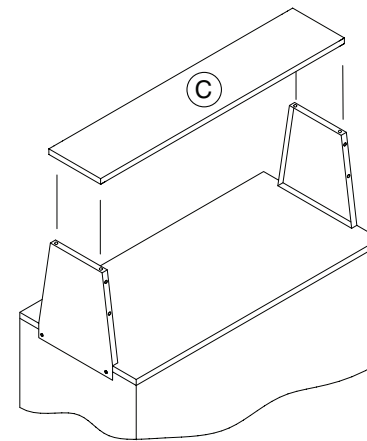


Figure 3

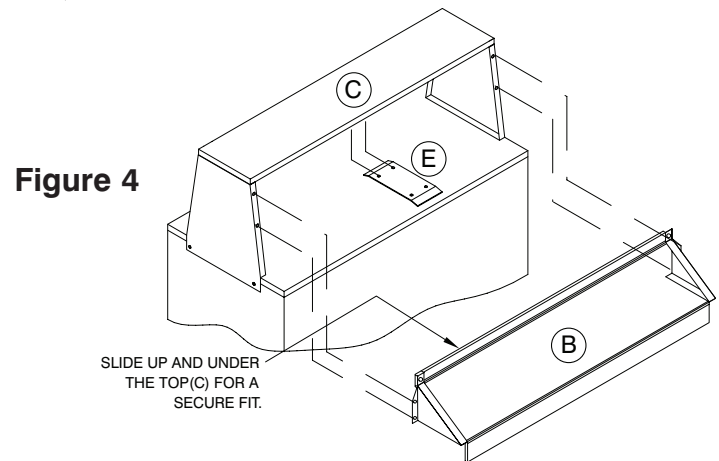


Figure 4