



## **Installation Instructions For STOS & TOS SERIES SERVING SHELVES**



**CHECK FOR CONCEALED DAMAGE  
FILE CLAIM WITH DELIVERING FREIGHT CARRIER**

# INSTALLATION FOR TOS SERIES SHELF

## Contents:

- (4) Expander Leg Bolts
- (6) Sheet Metal Screws
- (16) Dome Cap Nuts

## Tools Required:

- Philip's Head Screw Driver
- Pliers

**STEP 1:** Place top shelf **(A)** upside down and mount top leg assembly **(B)** to the studs inside the shelf using the dome cap screws **(D)**.

**STEP 2:** Insert the expander leg bolts **(C)** thru the bottom shelf and assemble the bushings and knurled nut as shown in **Figure 1**.

**STEP 3:** Place the stainless shelf **(E)** onto the top leg assembly and tighten the expander bolts until they grab the inside of the legs tightly.

**STEP 4:** Attach the bottom leg assembly **(G)** thru the studs inside the bottom shelf using the dome cap screws.

**STEP 5:** Then use the remaining cap nuts to tighten the bottom shelf to the bottom leg assemblies

**STEP 6:** Remove the existing sheet metal screws from the hot food table sides, then turn the assembled unit over and place in the center of your hot food table. Use the sheet metal screws **(H)** to then attach the over shelf in the existing holes.

(C) Expander Leg Bolts

(D) Dome Cap Screws

(H) Sheet Metal Screws

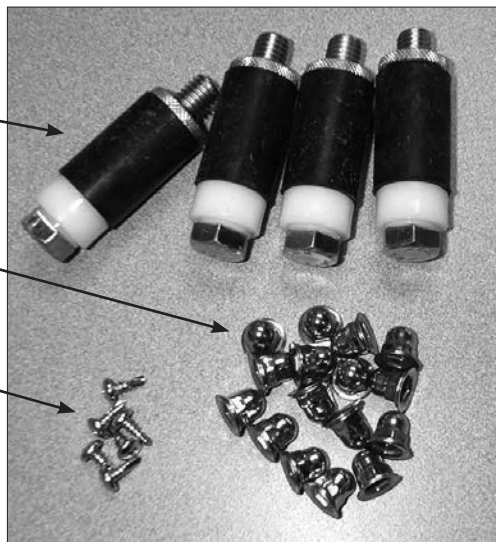


Figure 1

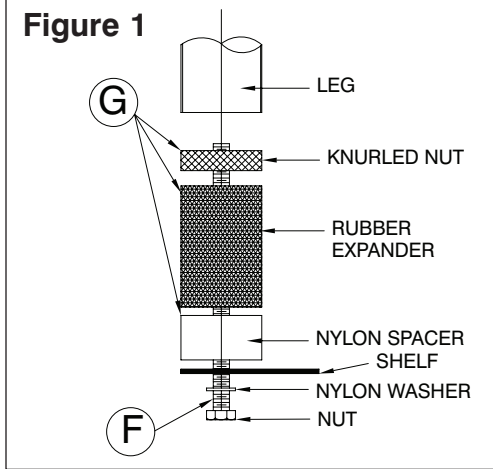
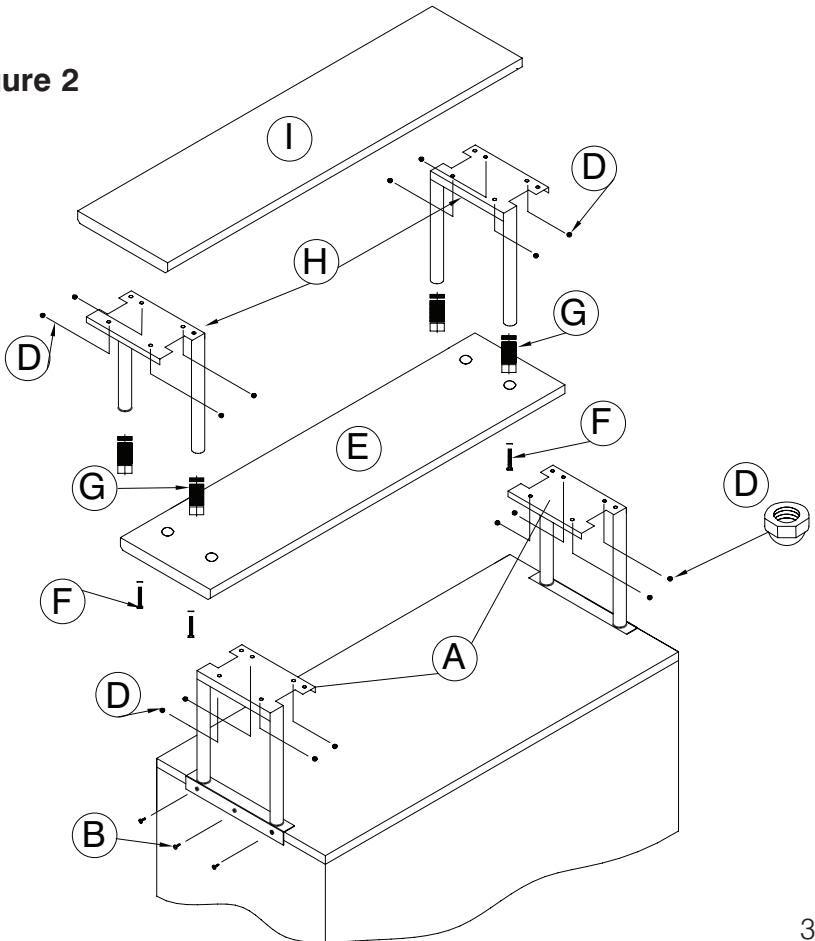


Figure 2



# INSTALLATION FOR STOS SERIES SHELF

## Contents:

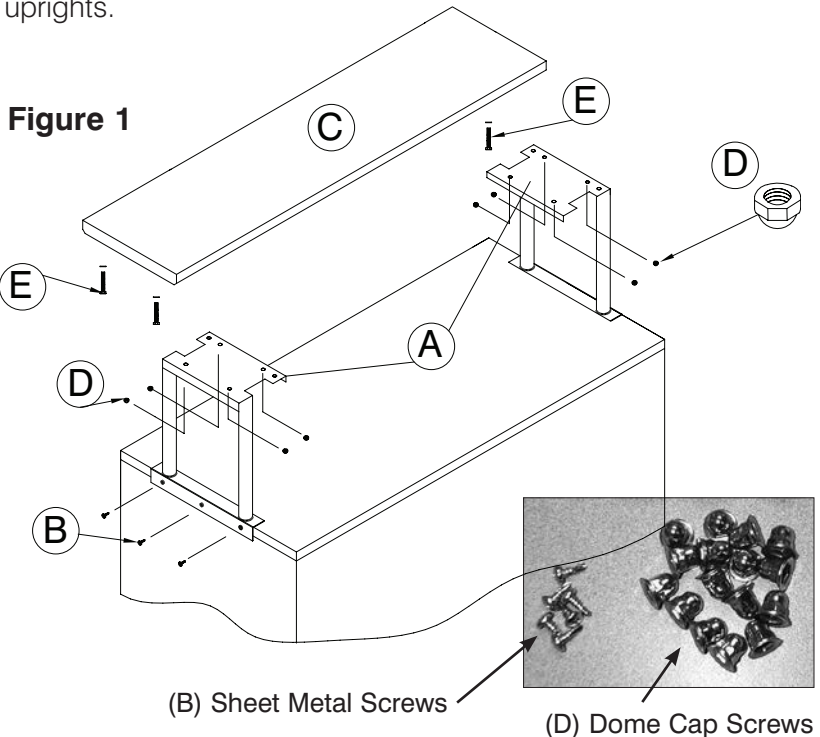
- (6) Sheet Metal Screws
- (8) Dome Cap Nuts

## Tools Required:

- Philip's Head Screw Driver
- Pliers

**STEP 1:** Remove the existing Sheet Metal Screws from the Hot Food Table sides, then place the sides in the center of your hot food table. Use the existing Sheet Metal Screws **(B)** to then attach the over shelf in the existing holes. **See Figure 1.**

**STEP 2:** Place the stainless shelf **(C)** onto the top of the uprights lining up the studs through the holes on the upright assembly. Using the Dome Cap Screws **(D)** secure the stainless shelf **(C)** to the uprights.



Edgewood, New York 11717-8380

©ADVANCE TABCO MAY 2015

**For Further Assistance**  
**Contact Customer Service at:**  
**800-645-3166**  
or  
**customer@advancetabco.com**