

THE ULTRA P7500 1 OZ. PUMP

CLEANING & MAINTENANCE

The cleaning and maintenance of your Ultra Pump is the key to having a long lasting pump. There are two types of cleaning that must be done to maintain the life of this pump and promote sanitation and safety when in use.

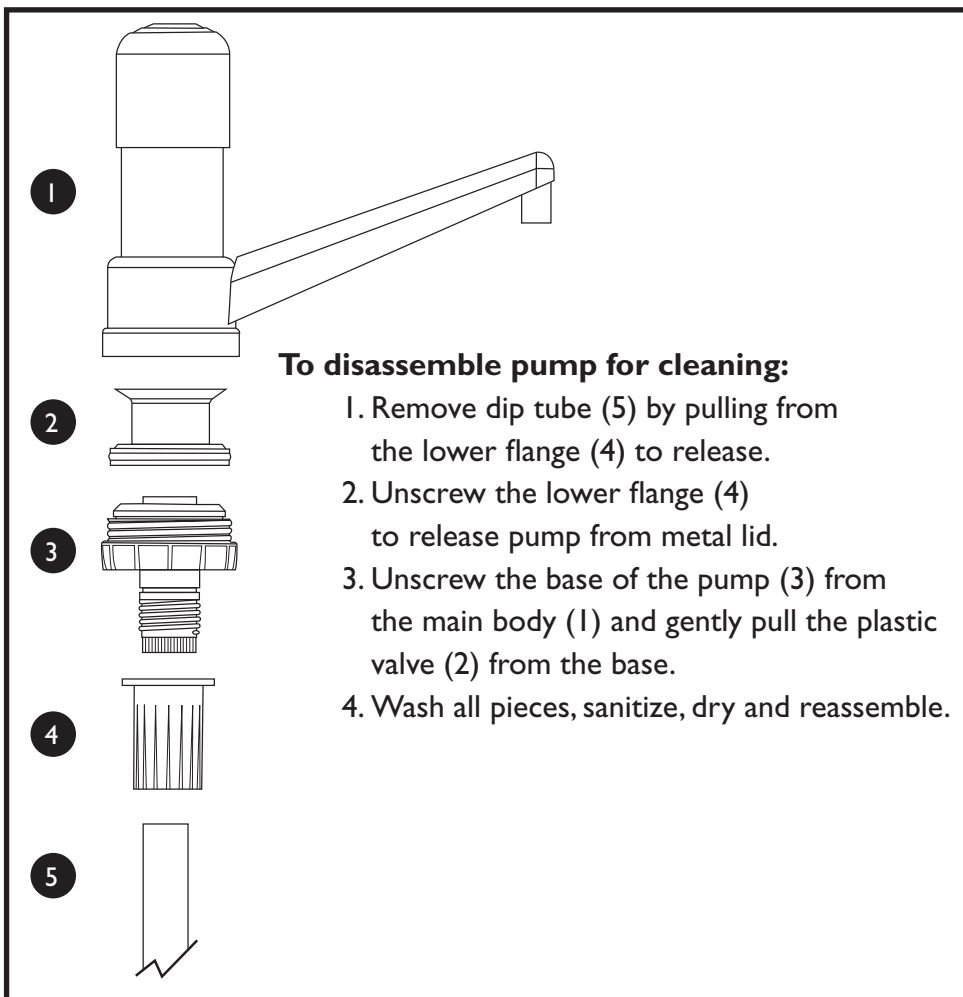
RUSH FLUSH: *recommended after a period of heavy use or when the pump may sit idle for a period of time.*

This quick cleaning technique prevents the condiment from drying or “caking” inside the pump. We recommend bringing the condiment jar to the sink area.

1. The pump should be removed from the lid first by removing the dip tube and unscrewing the lower flange on the underside of the metal lid. This will remove the pump from the lid.
2. Gently tap the dip tube over the condiment jar to empty any condiment that is in the tube.
3. Replace the dip tube into the barrel of the pump. Fill a clean bowl with warm water pump the water through the pump until pump is entirely flushed out.
4. Rinse well under warm water and dry. Reassemble and return to the condiment area.

SANITIZED CLEANING: *recommended after every 12 hours of use. All components should be cleaned and sanitized with the exception of the stainless steel housing.*

The housing requires only a good wipe-down with a clean, moistened cloth. The remaining components should be cleaned according to a standard 3-step program to include washing all pieces in warm, soapy water, rinse and sanitize.



SAN JAMAR

Smart ♦ Safe ♦ Sanitary

555 Koopman Lane
Elkhorn, Wisconsin 53121 USA
T: (262) 723-6133 F: (262) 723-4204
Customer Care: (800) 248-9826
Email: sanjamar@sanjamar.com
www.sanjamar.com

SAN JAMAR EUROPE, INC.
Schoorstraat 26A, Bus 1
B-2220 Heist op-den Berg
BELGIUM
T: +32 15 228140 F: +32 15 228148
Email: sjeurope@sanjamar.com

SAN JAMAR Mexico, S de RL de CV
Prolongación Av. San Antonio
No. 135 col. San Pedros de los Pinos
C.P. 01180 en México, DF
MEXICO
T: +52 (55) 3626 0772
F: +52 (55) 5273 4495
Email: sjmexico@sanjamar.com