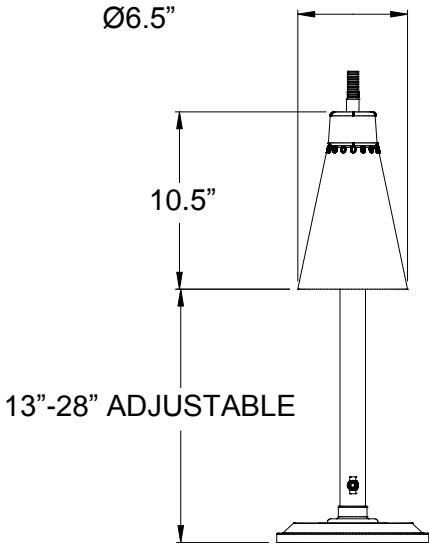
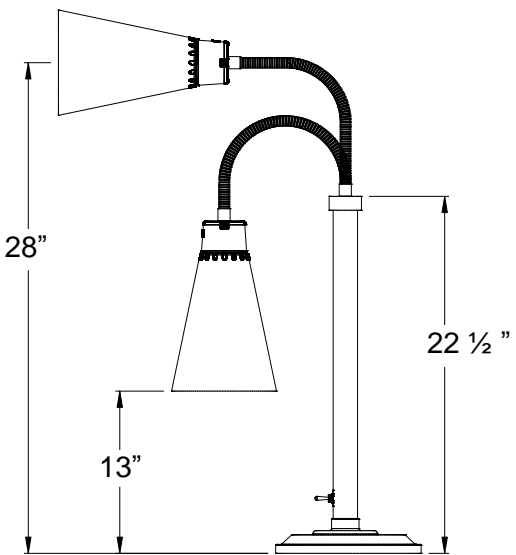
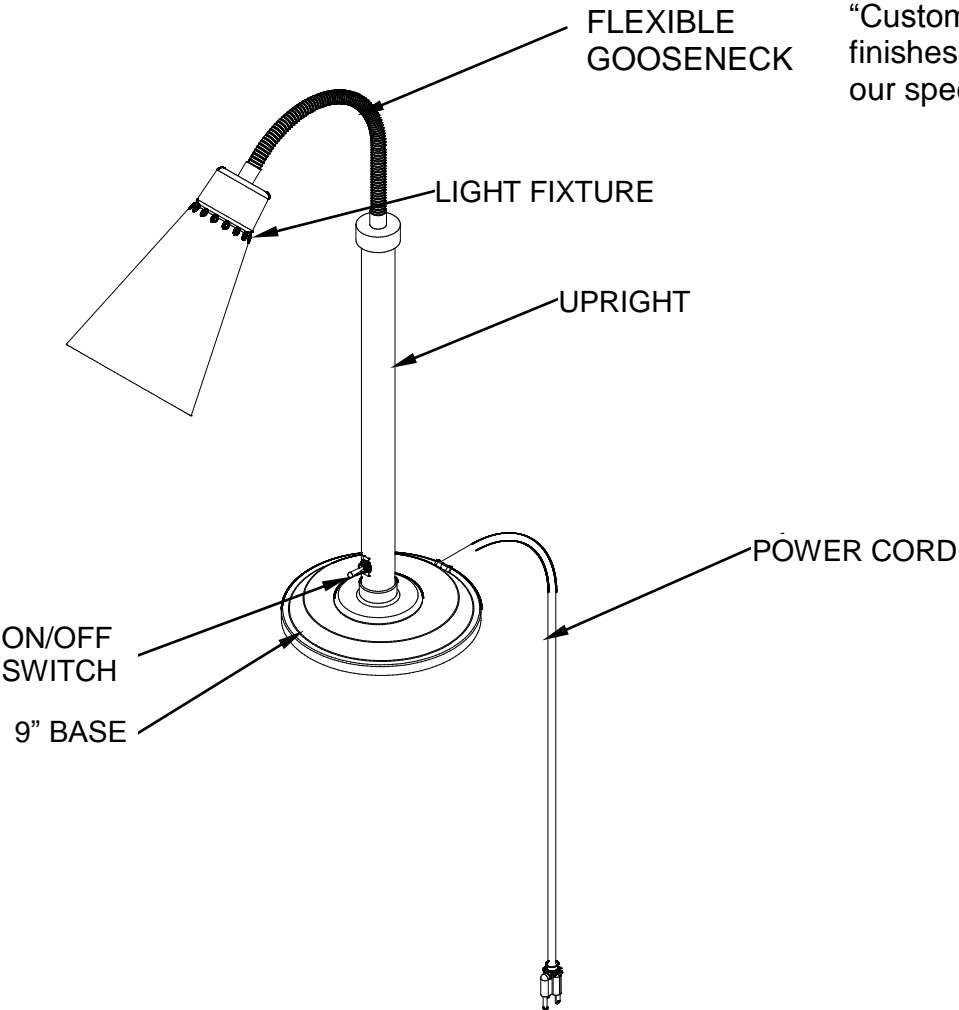


SLM-ST Free Standing Single Heat Lamp

"We pride ourselves in having the fastest lead-times in the industry"

"Custom finishes are our specialty"



SLM-ST Free Standing Single Heat Lamp

Description: Single heat lamp fixture mounted on 9” solid base. Clean “modern” design with no exposed fasteners. Standard finishes are brushed or polished. All internal components including lamp sockets and wiring are high temperature rated (200°C). Switch is rated for 15 amps @ 120 volts. Power cord exits through side of 9” base.

Standard Models	
Model Number	Description
SLM/900/ST	Free standing single lamp warmer with 900 style shade
SLM/700/ST	Free standing single lamp warmer with 700 style shade
SLM/600/ST	Free standing single lamp warmer with 600 style shade
Custom Finishes Available. Please consult factory.	
Specifications	
Mechanical	
Light head	Approximately Ø6.50” x 10 ½ ” long
Light head height from mounting surface	Adjustable 13”-28”
Upright and all fittings	Stainless steel
Overall weight	14 Pounds
Internal wiring	18 gauge Silver stranded with Teflon insulation. Rated (200° C)
Lamp socket	Glazed porcelain/nickel. Rated (200° C)
Switch	On/Off rated 15 amps @ 115 VAC
Power cord	115 VAC-18 gauge 3 conductor cable 84” long with Nema 5-15P plug (standard) 230 VAC-18 gauge 3 conductor harmonized cable 84” long with Schuko plug (standard).
Electrical	
Operating Voltage	115-230, VAC 50-60 Hz, single phase
Power	250 watts Maximum
Operating amperage	2.17 amps (115 VAC) 1.09 amps (230 VAC)
Bulb type	Infrared 250 watts maximum. Teflon coated
Safety Listings	
Organizations	