



Outperform every day.™

Project:

Item Number:

Quantity:

New York, New York® Drop-in Chafers

The Vollrath Company, L.L.C.

NEW YORK, NEW YORK® DROP-IN CHAFERS



DESCRIPTION

The New York, New York® Drop-in Chafers are designed for use in dining room serving lines in either stationary or mobile serving equipment. Available in rectangular or round versions, all units are fully retractable allowing serving from both sides. They feature Vollrath's unique dripless water pan and channeled cover that keeps condensation away from the food and table top.

Vollrath Drop-in Chafers come complete with:

- 18/8 stainless steel mirror-finished chafer
- 18/8 stainless steel dripless water pan with mirror-finished rim
- 18/8 stainless steel food pans (Super Pan V™ in the rectangular chafers)
- Clips to attach the chafer to the bottom of the countertop
- An attached tray to hold Vollrath Universal Chafer Heaters
- Complete instructions

Agency Certifications - Vollrath Universal Chafer Heaters



Due to continued product improvement, please consult www.vollrath.com for current product specifications.

ITEMS

46258 Rectangular Drop-in Chafer

46268 Round Drop-in Chafer

FEATURES

- 18/8 mirror-finished stainless channeled fully-retractable cover redistributes condensation from the cover to the dripless water pan. Removes easily for cleaning.
- Unique hinge assembly offers 3 positions: closed, 90 degree, and full open. Adjust with simple pressure, no levers or other mechanisms. Hinge assembly includes left and right hinge.
- Requires Vollrath Universal Electric Heater.
- Universal Electric Heaters available in standard 120V AC, or 230V AC international versions. Heaters come standard with 6 ft. (183 cm) cord.
- Attached tray accepts Vollrath Universal Electric Heaters (sold separately). Universal heater does not connect to water pan, allowing water pan removal for draining and cleaning.

IMPORTANT

- Always measure chafer upon arrival and mate with countertop before cutting the hole. Slight differences in dimensions with chafers can happen and it is best to mate the chafer to the actual installation.
- Reinforce countertops near the cutout (from below). This insures that the countertop remains flat and can support chafers.
- Attach chafer to countertop using provided clips. From underside, remove 2 nuts under front chafer bracket. Slide clips on and reattach nuts. Use provided screws to anchor chafer to countertop. (Complete instructions provided with chafer).
- Drop-in chafers need access to an electrical outlet within 6 feet (183 cm) of the chafer heater.
- Turn off universal heater when not in use. Chafer heater will be very hot. Do not touch heater directly. Never use fuel cups under a countertop with drop-in chafers.
- Always place warm water in water pan when starting up to minimize heat-up times. Use one universal heater. Generally the heater set at high will work well with rectangular, and low for round chafers.

WARRANTY: All models shown come with Vollrath's standard warranty against defects in materials and workmanship. For full warranty details, please refer to www.Vollrath.com.

Approvals	Date



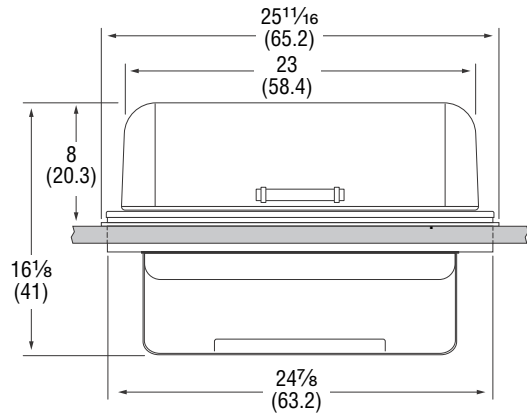
Outperform every day.™
www.vollrath.com

The Vollrath Company, L.L.C.
1236 North 18th Street
Sheboygan, WI 53081-3201 U.S.A.
Customer Service: 800.628.0830
Canada Customer Service: 800.695.8560
Main Fax: 800.752.5620 or 920.459.6573

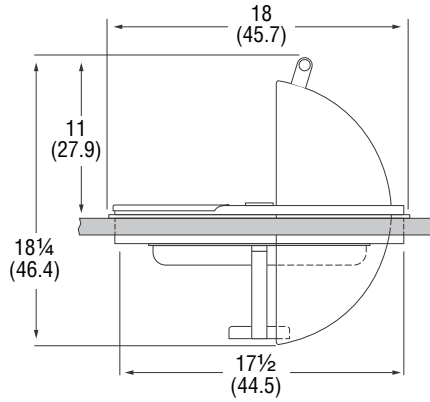
Technical Services: 800.628.0832
Technical Services Fax: 920.459.5462

NEW YORK, NEW YORK® DROP-IN CHAFERS

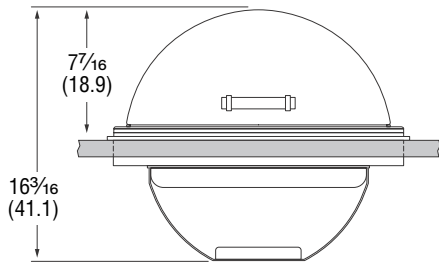
DIMENSIONS (shown in inches (cm))



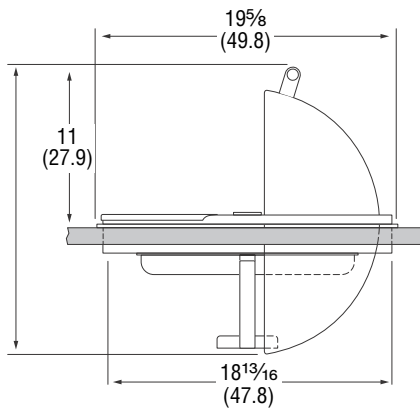
Front View



Side View



Front View



Side View

SPECIFICATIONS

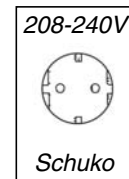
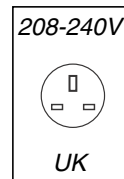
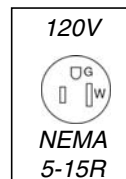
Item No.	Description	Capacity QT (L)	Dimensions (L x W x H) IN (CM)			Shipping Weight LB (KG)
			Overall	Cutout*	Shipping	
46258	Rectangular Drop-In	9 (8.6)	25½ x 18 x 18½ (64.7 x 45.7 x 47)	25⅛ x 17¾ (63.8 x 45.1)	22½ x 31½ x 13¾ (57.2 x 80 x 34.9)	41.9 (19)
46268	Round Drop-In	6 (5.7)	19 x 19 x 8¼ (48.3 x 48.3 x 21)	19⅞ (48.6)	24 x 14¼ x 24 (61 x 36.2 x 61)	30.4 (13.8)

*1 (2.5) Radius

ELECTRICAL SPECIFICATIONS FOR VOLLRATH UNIVERSAL CHAFER HEATERS

Item No.	kW Rating	Volts	Nominal Amps	Plug
46060	160/275	120V AC	2.3	NEMA 5-15P
46110	120/230	230V AC	1.0	Schuko
46115				UK

Receptacles



Outperform every day.™

www.vollrath.com

The Vollrath Company, L.L.C.
 1236 North 18th Street
 Sheboygan, WI 53081-3201 U.S.A.
 Customer Service: 800.628.0830
 Canada Customer Service: 800.695.8560
 Main Fax: 800.752.5620 or 920.459.6573

Technical Services: 800.628.0832
 Technical Services Fax: 920.459.5462