



4184 E. Conant St.
Long Beach, CA 90808
Tel. 888-900-1002
Fax. 310-900-1088
www.turboairinc.net

Project :

Model # :

Item # :

Qty :

Approval :

Top Mount Package Units (SMART 7)

Model : STX055LR404A3

SMART 7



≡ FEATURES / BENEFITS ≡

SM 1: Blue Anti-corrosion-fin and Coated Copper Tube

Protects aluminum and copper pipes from toxic gases generated from foods, retards refrigerant leakage, and prolongs the cooling capacity.

SM 2: Expansion Valve

Allows safe storage of foods with a feature that self-adjusts the circulation of refrigerant as the internal temperature changes, thus recovering the required temperature fast.

SM 3: Compressor Protected Solenoid Valve

Decreases the inflow of refrigerant into the compressor when it is restarted after a stop. This extends compressor life and reduces compressor failure.

SM 4: 18% Bigger Condenser than the Standard

The condenser's efficiency affects most of the refrigerator's performance. Particularly, when used in a small compartment under high ambient temperatures or a dusty area, the package unit's condenser needs to be bigger than standard ones in order to get the best performance. In consideration of the environments that our products may be subject to, condensers utilized in our products are 18% larger than competitors'.

SM 5: Energy Efficient EC Motor

Through the use of a highly efficient EC motors, our products reduce energy consumption and lower electricity costs, thus protecting the environment. Our products are designed with easy to replace motor and fan blades.

SM 6: Highly Efficient Air Circulation Enclosure

Designed to release hot air to the outside faster than competitors' and to enhance the cooling efficiency. At the same time, it retards elevation of compressor temperature and keeps refrigerant pressure from increasing, thus saving energy as a result.

* Hot gas condensate system is not included in outdoor units. Instead, a drain kit is installed.

Top Mount Package Units (SMART 7)

Model : STX055LR404A3

MODEL NOMENCLATURE

S	T	I	050	M	R404A	2
Model		Location	Capacity	Temp.	Refrigerant	Voltage
Turbo air Top Mount Package Unit		I= Indoor X= Outdoor	BTUH x 100	M= Medium Temp. L= Low Temp.	R404A	1= 115V 1PH 60Hz 2= 208-230V 1PH 60Hz 3= 208-230V 3PH 60Hz

Performance Data - Low Temperature Models, Electric Defrost

Model	Capacity BTU / HR (Ambient Temp)														
	80°F			90°F			95°F			100°F			110°F		
	Room Temperature °F														
	0°F	-10°F	-20°F	0°F	-10°F	-20°F	0°F	-10°F	-20°F	0°F	-10°F	-20°F	0°F	-10°F	-20°F
STX055LR404A3	8584	6707	4883	7789	6051	4179	7395	5406	4002	6478	5105	3696	5449	4215	3041

Unit Specifications - Indoor Type Low Temperature Models

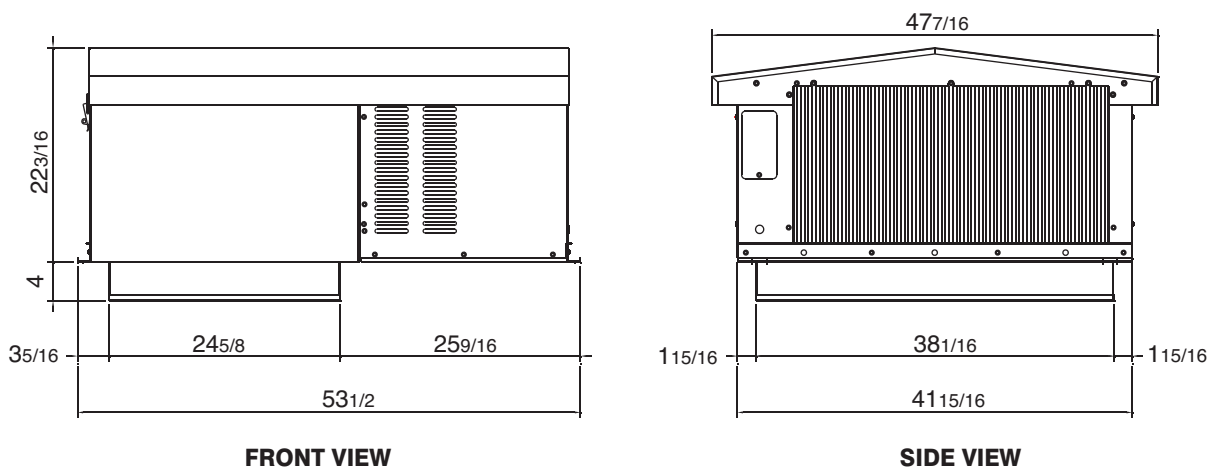
Model	Electric Specification					Compressor		Unit Amps	Evaporator CFM	Plug Supplied	Matching NEMA Receptacle	Dim. Fig.	Net Weight lbs. (kg)	Sound dBA	AWEF Value
	Voltage	PH	Hz	MCA	MOPD	RLA	LRA								
STX055LR404A3	208-230	3	60	13.5	20	9.2	52.0	11	890	No	-	C	317 (144)	69	-

Design and specifications subject to change without notice.

■ **WARRANTY : 2 Year Compressor and Parts Warranty & 1 Year Labor Warranty**

PLAN VIEW Opening Size : 25" x 38.5"

(unit : inch)



Ver.20190807



■ Toll Free : 888-900-1002

Turbo air REFRIGERATOR MANUFACTURER

GERMAN KNIFE

RADIANCE

Turbo air REFRIGERATION SYSTEM

TEXAKING