



T&S BRASS AND BRONZE WORKS, INC.
 2 Saddleback Cove / P.O. Box 1088
 Travelers Rest, SC 29690

Model No.
B-0152-CR-C-TEE

Item No.

Travelers Rest, SC: 800-476-4103 • Simi Valley, CA: 800-423-0150 • Fax: 864-834-3518 • www.tsbrass.com

EPAct2005 Compliant

This Space for Architect/Engineer Approval

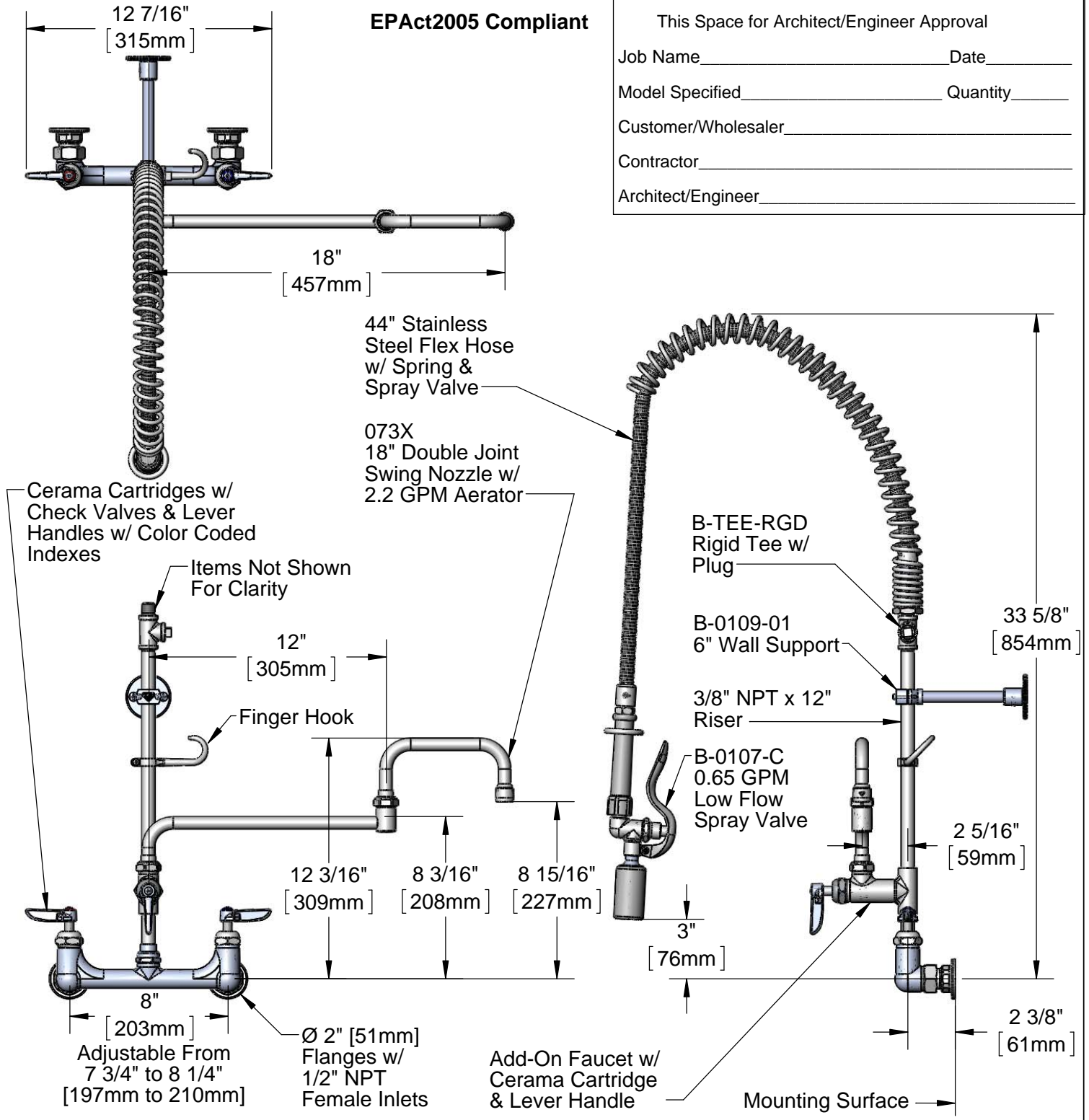
Job Name _____ Date _____

Model Specified _____ Quantity _____

Customer/Wholesaler _____

Contractor _____

Architect/Engineer _____



Product Specifications:
 8" Wall Mount PRU Mixing Faucet, Cerama Cartridges w/ Check Valves, 18" Double Joint Swing Nozzle w/ 2.2 GPM Aerator, 44" Flex Hose w/ Low Flow Spray Valve, 6" Wall Support, Add-On Faucet, B-TEE-RDG & 1/2" NPT Female Inlets

Drawn DHL	Checked GEF	Approved JHB
Scale: 1:7		Date: 05/29/12

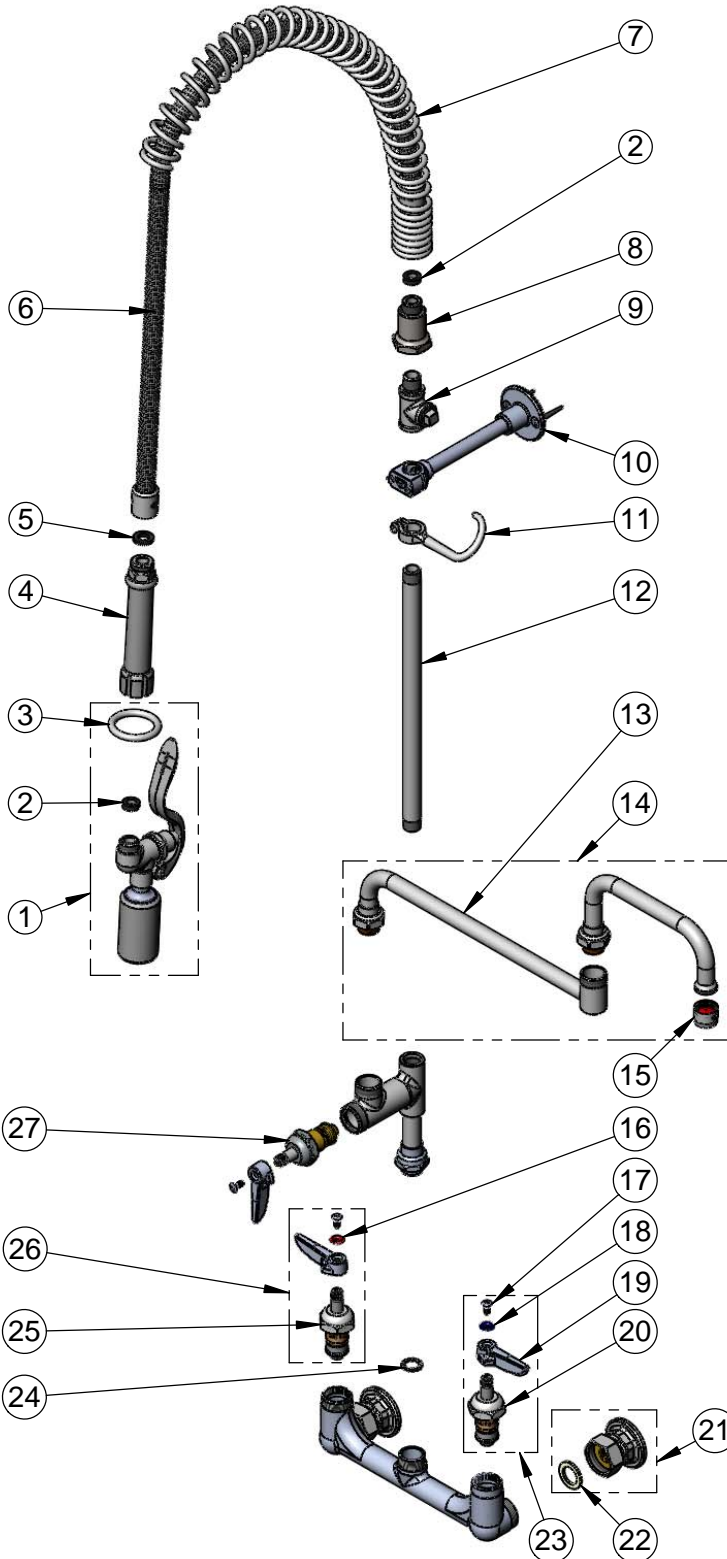


T&S BRASS AND BRONZE WORKS, INC.
 2 Saddleback Cove / P.O. Box 1088
 Travelers Rest, SC 29690

Model No.
B-0152-CR-C-TEE

Item No.

Travelers Rest, SC: 800-476-4103 • Simi Valley, CA: 800-423-0150 • Fax: 864-834-3518 • www.tsbrass.com



ITEM NO.	SALES NO.	DESCRIPTION
1	B-0107-C	.65 GPM Low Flow Spray Valve
2	010476-45	#27 Washer
3	000907-45	Spray Valve Hold Down Ring
4	002987-40	Flex Hose Grip Handle
5	001014-45	Washer, B-0100 Hose Barrel
6	B-0044-H2A	44" Stainless Steel Flex Hose - Less Handle
7	000888-45	EasyInstall Overhead Spring
8	000821-40	Spring Body
9	B-TEE-RDG	Rigid Tee w/ Plug
10	B-0109-01	6" Wall Support
11	004R	Finger Hook
12	000366-40	Riser, 3/8" NPT X 12" LG
13	002871-40	Double Joint Swing Nozzle 12" Back Section
14	073X	18" Double Joint Swing Nozzle w/ 2.2 GPM Aerator
15	B-0199-01	2.2 GPM Aerator, Female
16	001661-45	Red Index-HW
17	000922-45	Lever Handle Screw
18	001660-45	Blue Index-CW
19	001638-45	Lever Handle
20	012395-25	Cerama Cartridge, LTC w/ Check Valve
21	00AA	1/2" NPT Inlet Female Flange
22	001019-45	Coupling Nut Washer
23	012447-25	Cerama Cartridge, LTC w/ Check Valve, Lever Handle, Index & Screw
24	014200-45	Star Washer, Anti-Rotation
25	012394-25	Cerama Cartridge, RTC w/ Check Valve
26	012446-25	Cerama Cartridge, RTC w/ Check Valve, Lever Handle, Index & Screw
27	011278-25	Cerama Cartridge, RTC

Product Specifications:

8" Wall Mount PRU Mixing Faucet, Cerama Cartridges w/ Check Valves, 18" Double Joint Swing Nozzle w/ 2.2 GPM Aerator, 44" Flex Hose w/ Low Flow Spray Valve, 6" Wall Support, Add-On Faucet, B-TEE-RDG & 1/2" NPT Female Inlets

Drawn DHL	Checked GEF	Approved JHB
Scale: NTS		Date: 05/29/12