



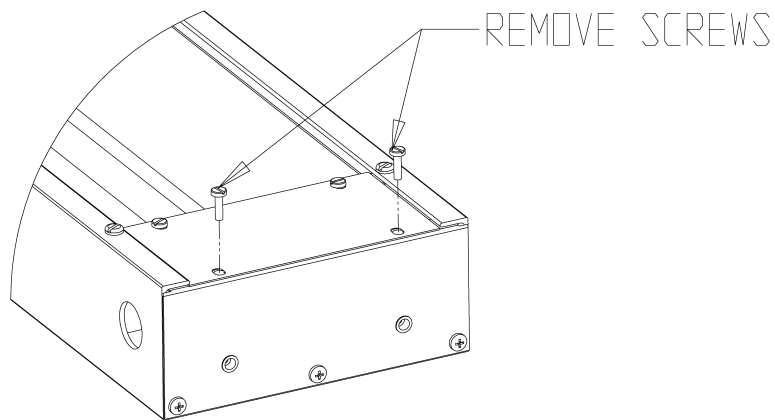
## 66099 WIRE FRAME KIT ASSEMBLY INSTRUCTIONS

### **STEP 1**

1. REMOVE KIT FROM PACKAGING WHICH INCLUDES THE FOLLOWING:

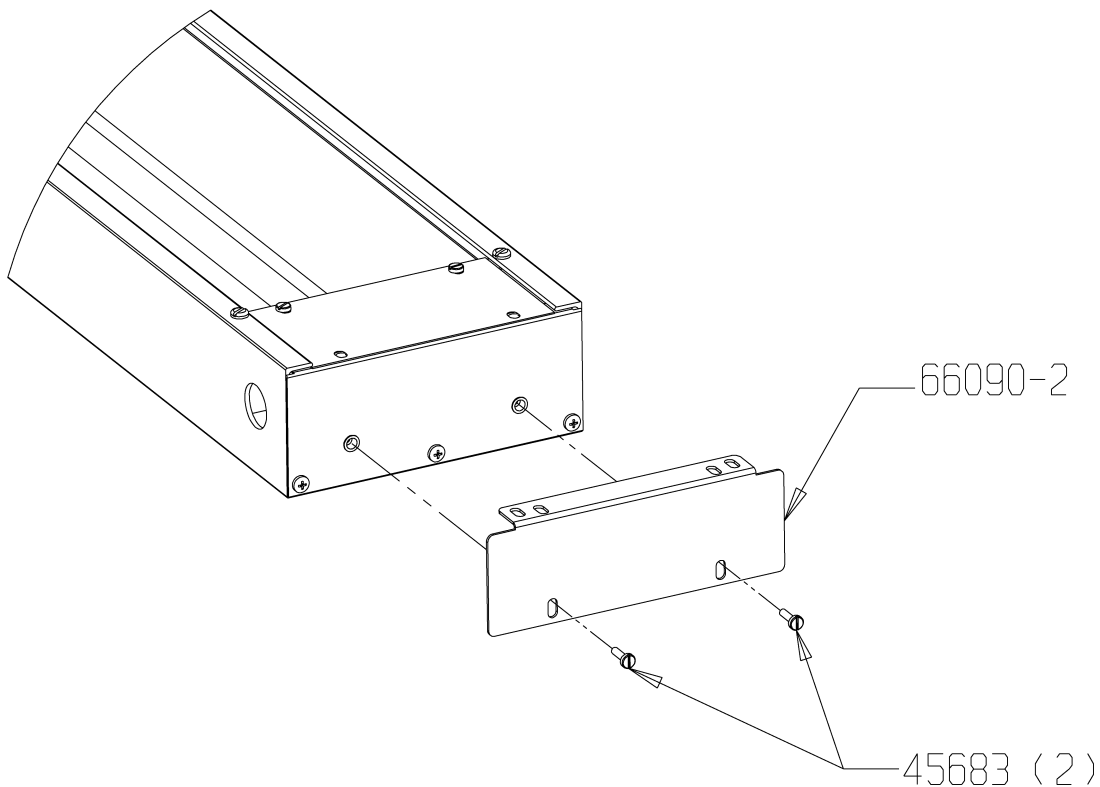
- (2) 66099-1 HOOP LEG
- (2) 66099-2 MOUNTING PLATE
- (4) 45158 FLAT WASHER
- (8) 45683 #6-32 X ½" SCREW

2. PLACE WARMER LYING ELEMENT FACE UP AND REMOVE (2) SCREWS AS SHOWN FROM BOTH ENDS.



### **STEP 2**

ALIGN (1) 66090-2 (MOUNTING PLATE) WITH MOUNTING HOLES IN END COVER AND SECURE USING (2) 45683 (#6-32 X ½" SCREWS). REPEAT FOR BOTH ENDS.



**STEP 3**

ALIGN (1) 66099-1 (HOOP LEG) WITH HOLES IN COVER. SECURE IN PLACE USING (2) 45683 (#6-32 X 1/2" SCREWS) AND (2) 45158 (WASHERS). REPEAT FOR BOTH ENDS.

