

Arched Crib

Warnings & Instructions

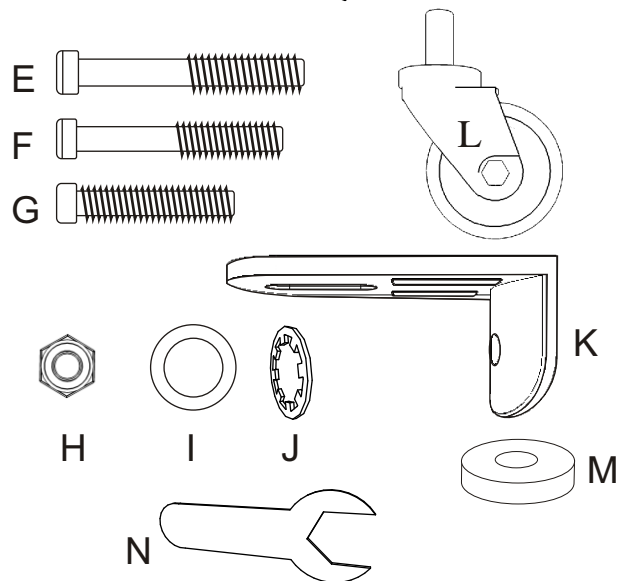
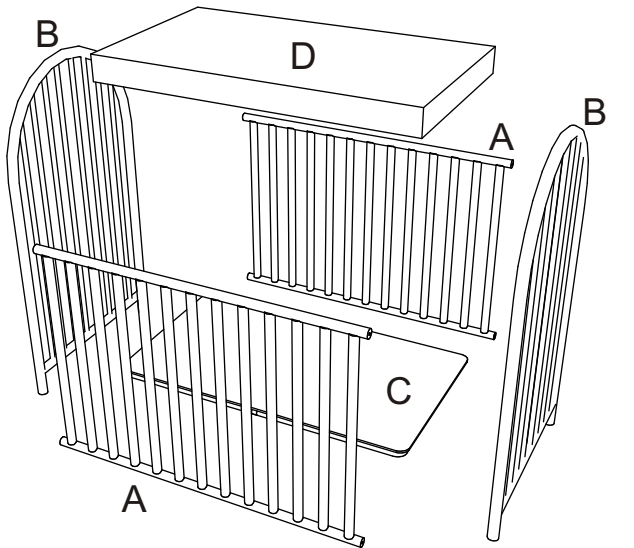
Product # CS 990

Read all instructions before assembly and use of crib.

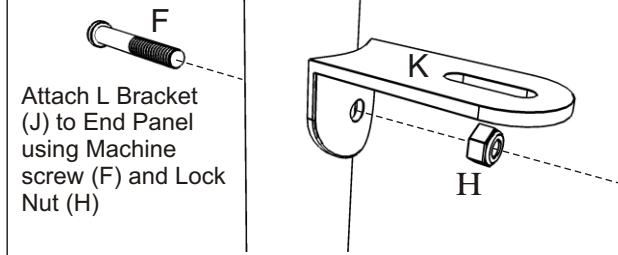
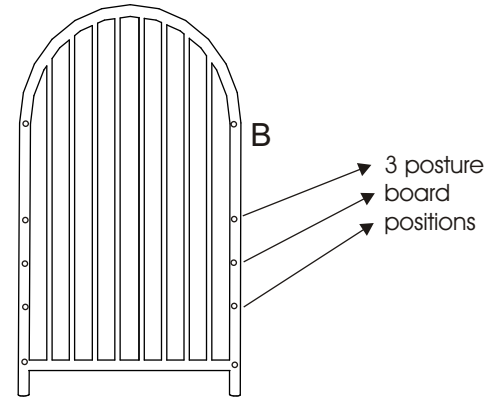
Tools needed: Phillips driver

Wrench (Included in hardware kit)

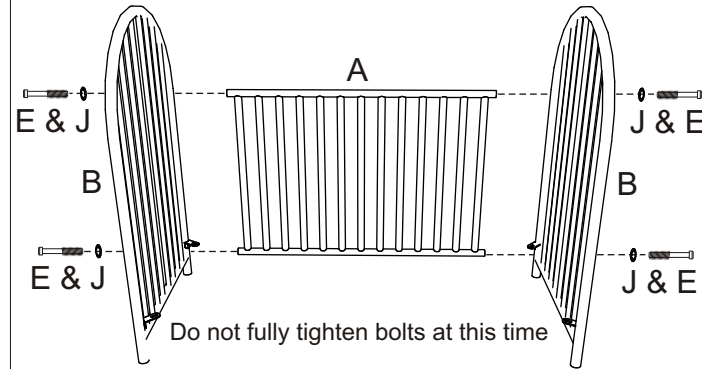
Parts List	Pieces per Unit
A - Rails	2
B - End Panels	2
C - Posture Board	1
D- Mattress, 3"	1
E - Machine Screw (1/4" x 20 x 3")	8
F - Machine Screw (#10 20 x 1 3/4")	4
G -Machine Screw (#10 20 x 1 1/2")	4
H - Lock Nut #10	8
I - Washers	8
J- Lock washers	8
K - Mattress L Bracket	4
L - Swivel Caster	4
M- Bumpers	4
N - Wrench	1



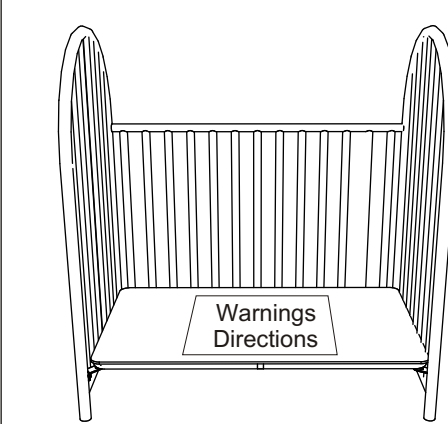
Warning: See bottom of panel for instruction Sheet and Warnings



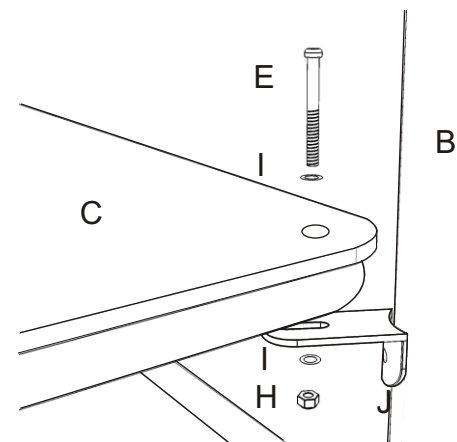
Select the mattress depth from the holes in the end panels (B). If this crib is for a newborn the L Brackets (J) should be at the top. As the baby grows the L Brackets (J) should be moved down. In hotel use or when using crib as an evacuation crib in a daycare, always keep the posture board (C) in the lowest position.



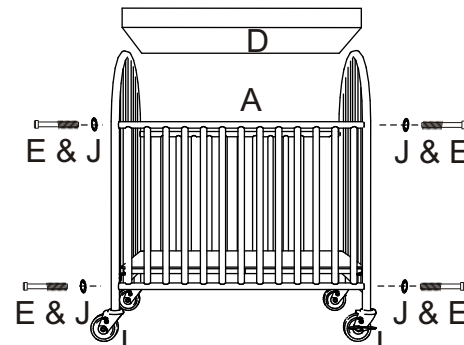
Note: The side rails (A) go against the indentations on the end panels (B) Head board Position side rail (A) with warnings on top and readable from out side of crib. Attach side rail (A) to both end panels (B) using four bolts and lock washers (E & J) and do not fully tighten bolts at this time



Align posture board (C) on top of posture board brackets (J) with 'WARNINGS/DIRECTIONS', label facing up.



Attach each corner of posture board using Bolt (E), two washers (I) and lock nut (H), as illustrated.



Attach remaining side rail (A) using four bolts and lock washers (J & E). Tighten all bolts at this time. (Optional) Place one foam bumper (L) on each leg before installing casters (L). The bumpers (M) protect the crib and property from damage. Insert casters (L) into each leg post and place mattress (D) onto the posture board (C).

Care Instruction:

Your crib may otherwise be cleaned, using a damp cloth and ordinary mild domestic detergent. Do not use abrasives or bleach. Air dry.

DATE OF MFG _____

Made In China
Ins_CS_990_W_080511

L.A. Baby Juvenile Products
16039 Loukelton Street
City of Industry, California 91744
Toll free customer service: 800-584-3094
e-mail: customerservice@lababyco.com
www.lababyco.com



WARNING: FAILURE TO FOLLOW THESE WARNINGS AND THE INSTRUCTIONS COULD RESULT IN SERIOUS INJURY OR DEATH.

- **NEVER** use this product if there are any loose or missing fasteners, loose joints, or broken parts. Check before assembly and periodically during use. **Make sure latches are secure.** Contact L.A. Baby for replacement parts.
- **NEVER** substitute parts

WARNING: Infants can suffocate.

- In gaps between a mattress too small or too thick and product sides.
- On soft bedding.
NEVER add a mattress, pillow, comforter, or padding.

WARNING: Use only mattress provided by manufacturer, which must be at least 38 inches long by 24 inches wide and not more than 3 inches thick.

- This crib including side rails must be fully erected prior to use.
- When child is able to pull to standing position, set mattress/base to lowest adjustment position and remove bumper pads, large toys, and other objects that could serve as steps for climbing out.
- **NEVER** place a crib near windows where cords from blinds or drapes may strangle a child.
- Discontinue use of the crib when child is able to climb out or reaches a height of 35 inches (890 millimeters), the child should be placed in a youth bed.
- If refinishing, use a non-toxic finish specified for children's products.
- Child can become entrapped and die when improvised netting or covers are placed on top of crib. **NEVER** add such items to confine child in crib.
- **NEVER** use a water mattress with this crib.
- Always provide the supervision necessary for the continued safety of your child. When used for playing, **NEVER** leave child unattended
- To reduce the risk of SIDS, pediatricians recommend healthy infants be placed on their back to sleep, unless otherwise advised by your physician.
- **CAUTION:** Keep small parts and plastic bags out of reach of small children
- **NEVER** use plastic shipping bags or other plastic film as mattress covers not sold and intended for that purpose. They can cause suffocation

WARNING! Strings can cause strangulation! **NEVER** place items with a string around a child's neck, such as hood strings or pacifier cords

- **NEVER** suspend strings over a crib or attach strings to toys.

This crib conforms to applicable regulations promulgated by the Consumer Product Safety Commission.

This crib meets new C.P.S.C. 16 CFR 1220 and A.S.T.M. 406 Standards. (This crib also meets A.S.T.M. 2710 Commercial Crib Standards.)