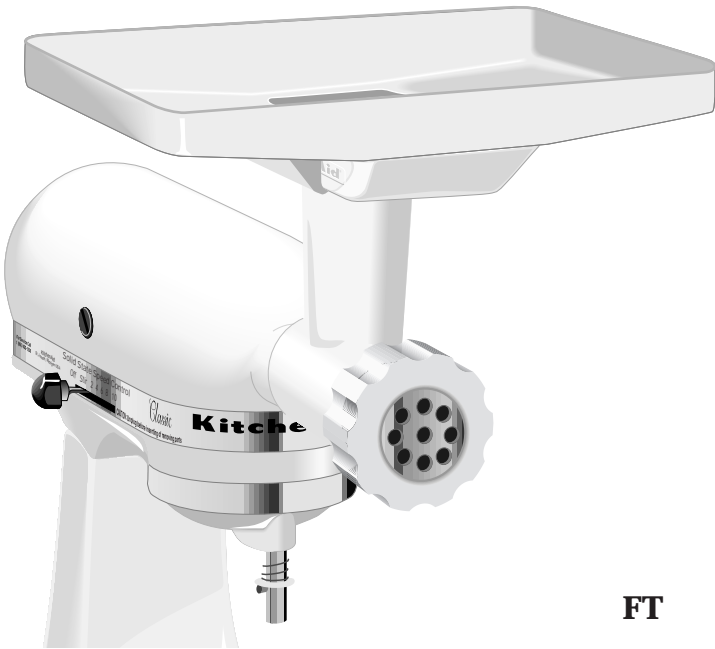


KitchenAid®

FOOD TRAY



FT

**This attachment has been approved for use with
all KitchenAid® household stand mixers**



IMPORTANT SAFEGUARDS

When using electrical appliances, basic safety precautions should always be followed including the following:

1. Read all instructions.
2. To protect against risk of electrical shock, do not put mixer in water or other liquid.
3. Close supervision is necessary when any appliance is used near children.
4. Unplug from outlet when not in use, before putting on or taking off parts, and before cleaning.
5. Avoid contacting moving parts. Keep fingers out of discharge opening.
6. Do not operate the mixer with a damaged cord or plug or after the mixer malfunctions, or is dropped or damaged in any manner. Return the mixer to the nearest Authorized Service Center for examination, repair or electrical or mechanical adjustment.
7. The use of attachments not recommended or sold by KitchenAid may cause fire, electric shock or injury.
8. Do not use the mixer outdoors.
9. Do not let the cord hang over the edge of table or counter.
10. Never feed food by hand. Always use food pusher.
11. This product designed for household use only.

SAVE THESE INSTRUCTIONS

Your safety and the safety of others is very important.

We have provided many important safety messages in this manual and on your appliance. Always read and obey all safety messages.



This is the safety alert symbol.

This symbol alerts you to hazards that can kill or hurt you and others.

All safety messages will be preceded by the safety alert symbol and the word "DANGER" or "WARNING." These words mean:

 **DANGER**

You will be killed or seriously injured if you don't follow instructions.

 **WARNING**

You can be killed or seriously injured if you don't follow instructions.

All safety messages will identify the hazard, tell you how to reduce the chance of injury, and tell you what can happen if the instructions are not followed.



TO ATTACH:

Before attaching accessory, turn off and unplug unit.

Food Tray is designed to be used with the Food Grinder and the Fruit/Vegetable Strainer Attachments.

Attach Food Grinder or Fruit/Vegetable Strainer to mixer. Slide front of Food Tray forward over back of hopper until it rests firmly in place.

TO USE:

Fill Food Tray with food cut into pieces that will fit in the hopper.

Turn mixer to Speed 4 and feed food into hopper using stomper.

Note: Never put your fingers in the hopper.

TO CLEAN:

Wash in warm sudsy water. If you wish you may place on the top rack of your dishwasher.

TOTAL REPLACEMENT WARRANTY

We're so confident the quality of our products meets the exacting standards of KitchenAid that, if your attachment/accessory should fail within the first year of ownership, KitchenAid will arrange to deliver a replacement attachment/accessory to your door free of charge and arrange to have your "failed" attachment/accessory returned to us. Your replacement unit is covered by our one year full warranty. Please follow these instructions to receive this quality service.

If you reside in the United States and your KitchenAid attachment/accessory


should fail within the first year of ownership, simply call our toll-free Customer Satisfaction Center at **1-800-541-6390**.

Give the consultant your complete shipping address. (No P.O. Box Numbers, please.)

KitchenAid will arrange to deliver a replacement attachment/accessory and have your "failed" attachment/accessory returned to us.

Put your "failed" attachment/accessory in the original shipping carton along with a sheet of paper with your name and address on it, and proof of purchase (register receipt, credit card charge slip, etc.)

WARRANTY

Length of Warranty:	KitchenAid Will Pay For:	KitchenAid Will Not Pay For:
<p>One Year Full warranty from date of purchase.</p>	<p>Replacement parts and repair labor costs to correct defects in materials or workmanship. Service must be provided by an Authorized KitchenAid Service Center. OR Total Replacement Warranty.</p> <div style="text-align: center;">  </div>	<p>A. Repairs when attachment/accessory is used in other than normal home use. B. Damage resulting from accident, alteration, misuse or abuse. C. Any incidental shipping or handling costs to deliver your attachment/accessory to an Authorized KitchenAid Service Center. D. Replacement parts or repair labor costs for attachments/accessories operated outside the United States.</p>
<p>Missing a part? Call 1-800-541-6390 for immediate handling of your problem.</p>		

KITCHENAID DOES NOT ASSUME ANY RESPONSIBILITY FOR INCIDENTAL OR CONSEQUENTIAL DAMAGES. Some states do not allow the exclusion or limitation of incidental or consequential damages, so this exclusion or limitation may not apply to you. This warranty gives you specific legal rights and you may also have other rights which vary from state to state.

HOW TO ARRANGE FOR SERVICE

To arrange for service, call the KitchenAid Customer Satisfaction Center, toll-free at 1-800-541-6390.

KitchenAid®

St. Joseph, Michigan 49085 U.S.A