



CATALOG OF REPLACEMENT PARTS

MODEL X13-PLUS SERIES SLICERS

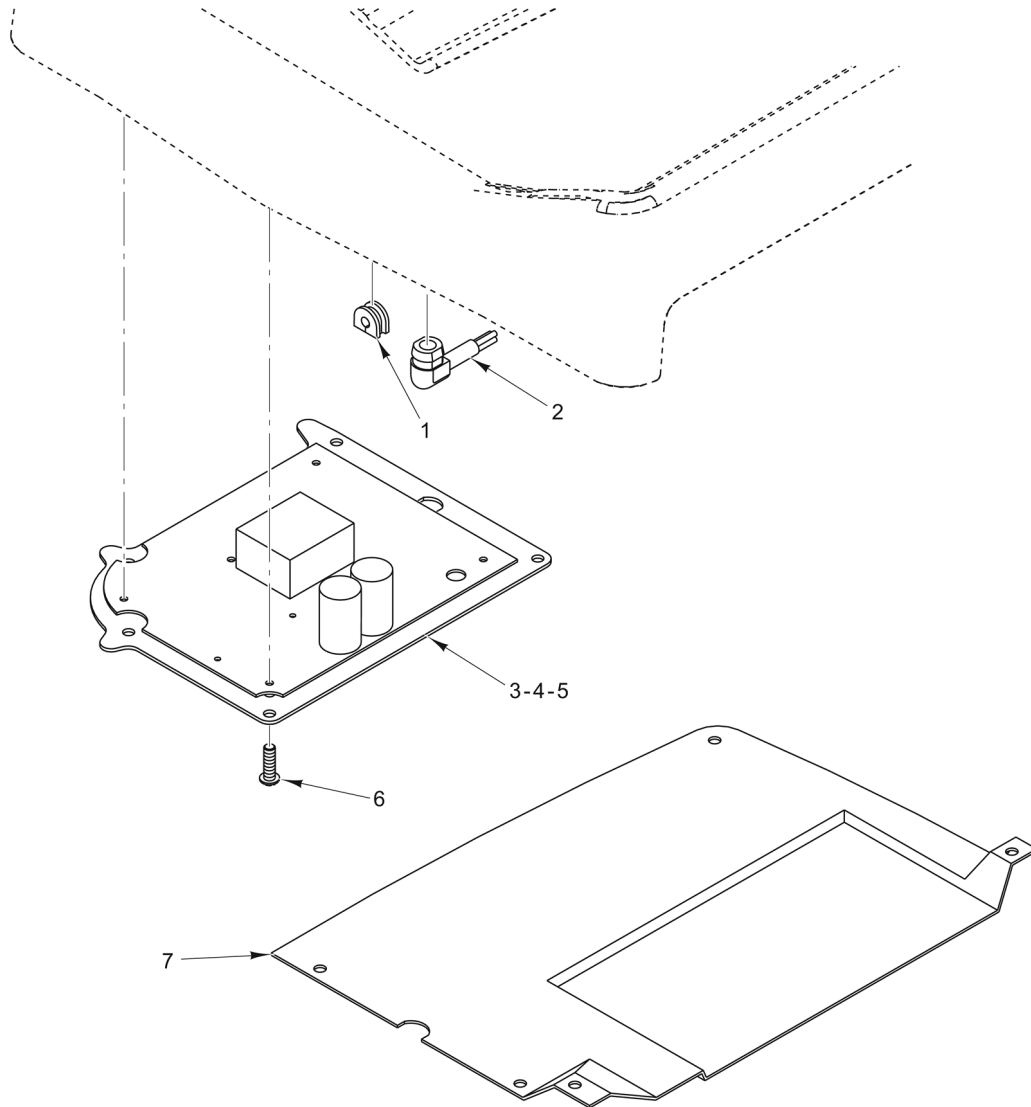


ML-136257
ML-136258
ML-136259
ML-136262

X13 PLUS
X13A PLUS
X13AE PLUS
X13E PLUS

Table of Contents

5	ELECTRICAL COMPONENTS
7	RING GUARD AND CENTER PLATE
9	ARM ASSEMBLY
11	GAUGE PLATE ASSEMBLY
13	PRODUCT TABLE
15	KNIFE AND MOTOR ASSEMBLY
17	AUTODRIVE ASSEMBLY
19	KNIFE SHARPENER UNIT
21	KICKSTAND ASSEMBLY

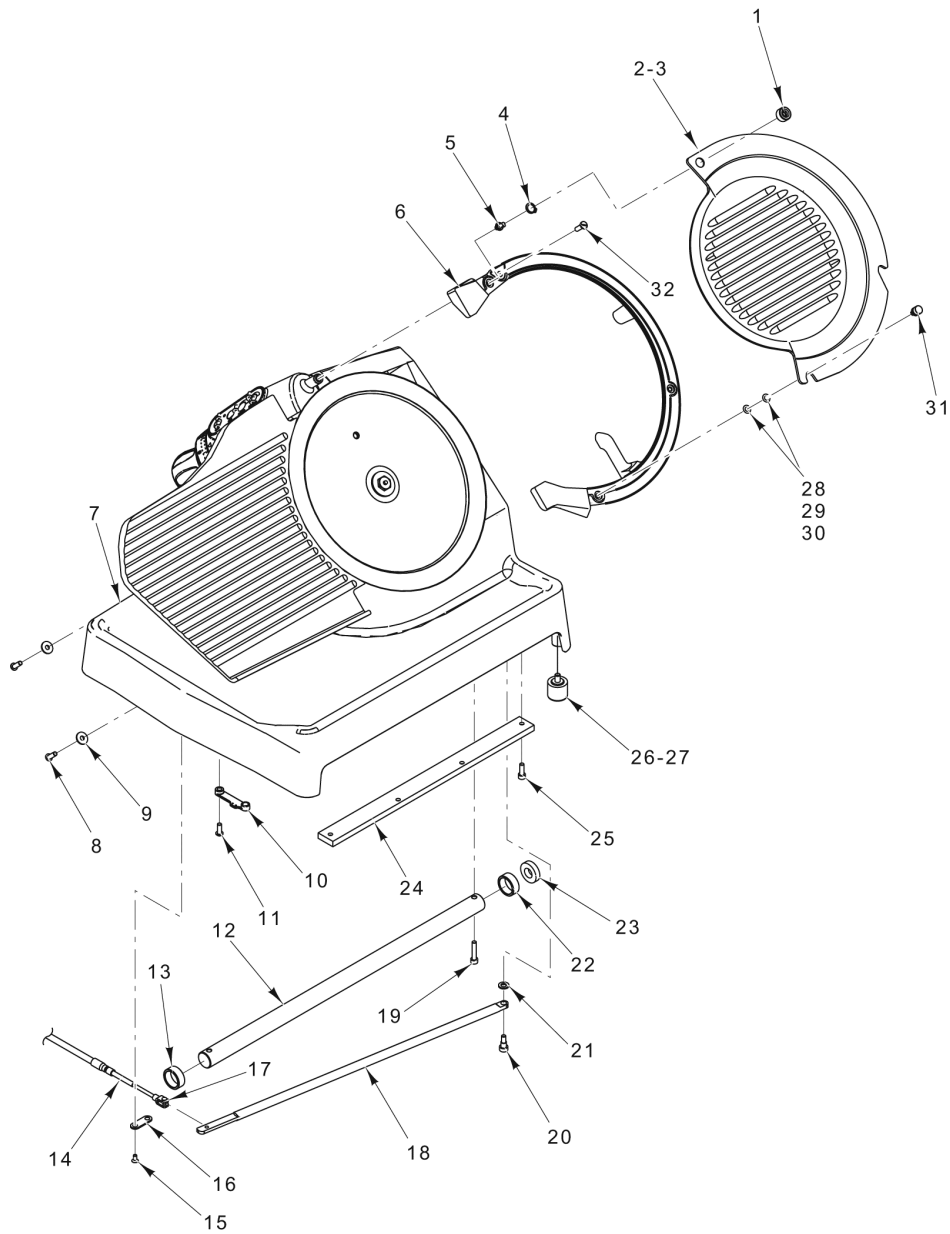


PL-58977

ELECTRICAL COMPONENTS

ELECTRICAL COMPONENTS

ILLUS.	PART NO.	NAME OF PART	AMT.
PL-58977			
1	01-403875-00234	Grommet - Electric Enclosure.....	1
2	01-404175-00719	Cord - Power (120 V.).....	1
3	01-404875-00046	PCB Assy. - Main Board (Automatic) (120 V.) (Incls. Items 2 & 5).....	1
4	01-404875-00047	PCB Assy. (Manual) (Incls. Items 2 & 5).....	1
5	01-402675-00752	Circuit Breaker (12 Amp., 120 V.).....	1
6	01-402175-02854	Cap Screw M5 x 10mm Button Socket Hd.....	3
7	01-403875-00238	Cover - Bottom.....	1
	01-404175-00745	Plug - Jumper (J12) (Required for X13A or X13AE Slicers).....	1

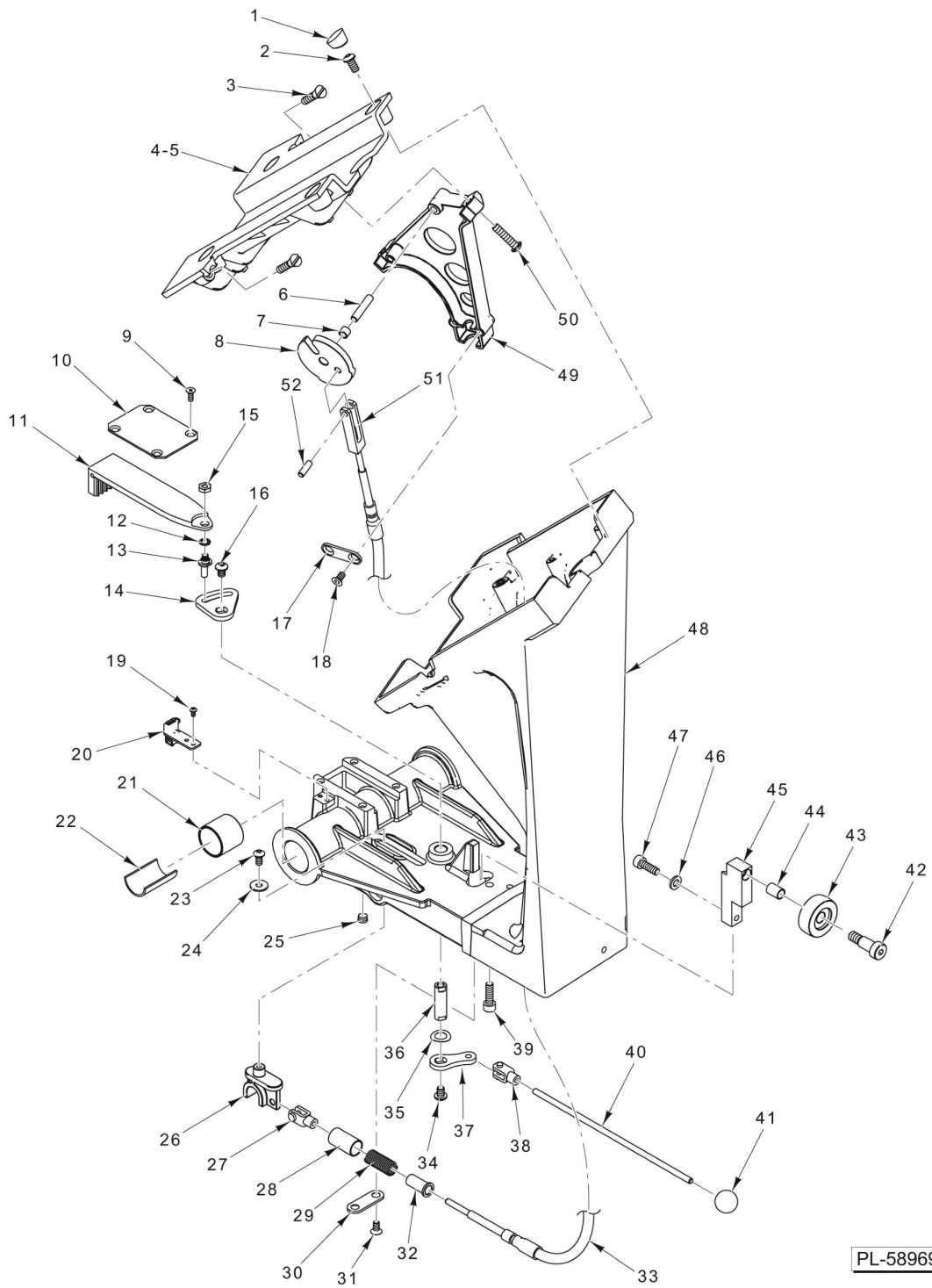


PL-58968

RING GUARD AND CENTER PLATE

RING GUARD AND CENTER PLATE

ILLUS. PL-58968	PART NO.	NAME OF PART	AMT.
1	01-403375-01392	Knob.....	1
2	01-404675-01144	Center Plate Assy. (Incls. Items 1, 3, & 4).....	1
3	01-403775-00499	Center Plate - Solid.....	1
4	01-402275-00608	Ring - Retaining.....	1
5	01-403375-01391	Stud - Post.....	1
6	01-403775-00497	Ring Guard.....	1
7	01-403875-00171	Base.....	1
8	01-402175-02867	Screw M6 x 18mm Button Socket Hd. (For Ring Guard).....	2
9	01-402275-00586	Washer.....	2
10	01-403875-00183	Guide - Interlock Slide Bar.....	1
11	01-402175-02866	Cap Screw M6 x 16mm Button Socket Hd. (SST).....	2
12	01-403375-01306	Rail - Round.....	1
13	01-403275-00233	Bumper - Transport Rail.....	1
14	01-402375-00175	Cable - Interlock Base Assy.....	1
15	01-402175-02934	Cap Screw Flat Socket Hd.....	2
16	01-403375-01286	Clamp - Interlock Assy.....	1
17	01-402375-00184	Clevis - Stock.....	1
18	01-403375-01275	Slide - Bar Interlock.....	1
19	01-402175-02861	Screw M6 x 6mm Button Socket Hd.....	2
20	01-402175-00503	Shoulder Bolt.....	1
21	01-402275-00588	Washer.....	1
22	01-403275-00243	Bumper - Rubber.....	1
23	01-402275-00629	Washer - Bumper.....	1
24	01-403375-01278	Rail - Square.....	1
25	01-402175-02743	Cap Screw M6 x 14mm.....	4
26	01-403875-00239	Foot.....	4
27	01-403875-00249	Foot (Suction).....	4
28	01-403275-00237	Shim (1.0mm).....	AR
29	01-403275-00238	Shim (0.5mm).....	AR
30	01-403275-00241	Shim (0.3mm).....	AR
31	01-403375-01388	Shoulder Stud.....	2
32	01-402175-00529	Screw Flat Hd.....	1

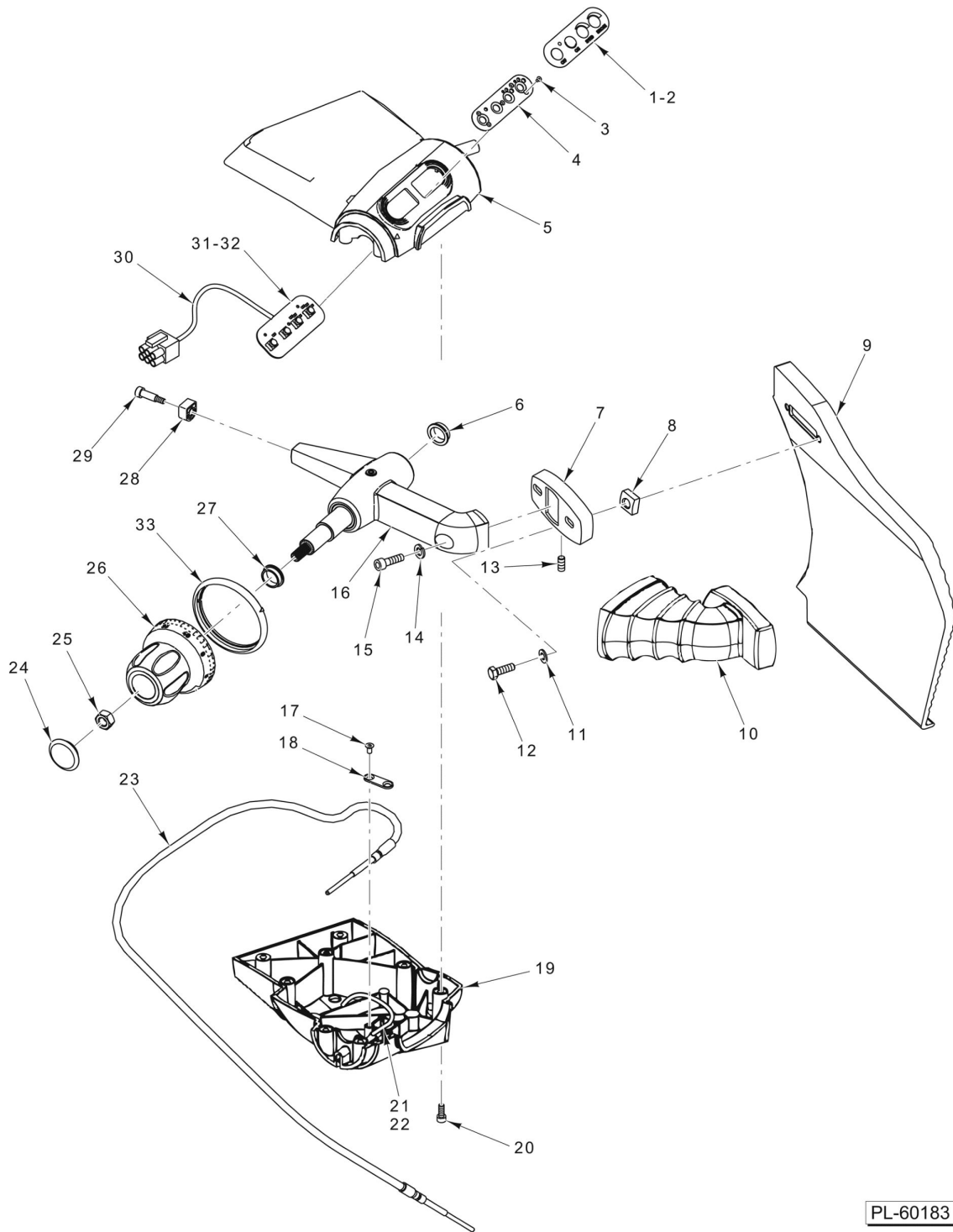


PL-58969

ARM ASSEMBLY

ARM ASSEMBLY

ILLUS.	PART NO.	NAME OF PART	AMT.
PL-58969			
1	01-403875-00235	Plug - Top Plate.....	4
2	01-402175-02864	Cap Screw Socket Button Hd.....	4
3	01-402175-00524	Screw Table Adjustment.....	2
4	01-403875-00233	Top Plate (With Interlock).....	1
5	01-403875-00250	Top Plate (Without Interlock).....	1
6	01-402275-00582	Pin - Dowel.....	1
7	01-402275-00614	Bushing.....	1
8	01-404575-01037	Actuator Assy. - Interlock (Incls. Item 7).....	1
9	01-402175-02923	Cap Screw Flat Socket Hd.....	4
10	01-403475-01023	Plate - Autodrive Clutch.....	1
11	01-404575-01033	Clip Assy. - Autodrive Belt.....	1
12	01-402275-03047	Lockwasher #10 Internal.....	1
13	01-403375-01390	Pin - Eccentric.....	1
14	01-403475-01021	Cam - Autodrive Clutch.....	1
15	01-402175-00082	Nut - Hex.....	1
16	01-402175-02862	Cap Screw Socket Button Hd.....	1
17	01-403375-01286	Clamp - Interlock Assy.....	1
18	01-402175-00520	Self-Tapping Screw Button Socket Hd.....	2
19	01-402175-02831	Cap Screw Socket Button Hd.....	2
20	01-402675-00920	PCB Assy. - Arm Flex Cable.....	1
21	01-402275-00521	Bushing.....	2
22	01-403275-00035	Wick - Oil.....	1
23	01-402175-00520	Self-Tapping Screw Button Socket Hd.....	1
24	01-402275-00589	Washer.....	1
25	01-402175-00541	Plug - Pipe.....	1
26	01-403875-00195	Slider - Interlock Bar.....	1
27	01-402375-00184	Clevis - Stock.....	1
28	01-403875-00498	Spring Cup.....	1
29	01-403275-00236	Spring - Compressed.....	1
30	01-403375-01286	Clamp - Interlock Assy.....	1
31	01-402175-02934	Cap Screw Flat Socket Hd.....	1
32	01-403875-00499	Spring Shoulder.....	1
33	01-402375-00168	Cable - Interlock Arm.....	1
34	01-402175-02862	Cap Screw Socket Button Hd.....	1
35	01-402275-00592	Disc - Spring.....	1
36	01-403375-01376	Shaft - Clutch Pivot.....	1
37	01-403475-01022	Crank - Autodrive Clutch.....	1
38	01-402375-00184	Clevis - Stock.....	1
39	01-402175-00510	Screw Socket Nylon Hd.....	1
40	01-403375-01373	Rod - Clutch Engage.....	1
41	01-402275-00580	Knob - Clutch Engage.....	1
42	01-402175-00502	Shoulder Bolt.....	1
43	01-402375-00167	Roller - Transport.....	1
44	01-403375-01378	Spacer - Shaft.....	1
45	01-403375-01280	Mount - Transport Roller.....	1
46	01-402275-00587	Washer.....	1
47	01-402175-02745	Cap Screw Socket Hd.....	1
48	01-404375-00226	Arm - Transport (Incls. Item 21).....	1
49	01-403875-00240	Arm - Top Plate Brace.....	1
50	01-402175-00520	Self-Tapping Screw Button Socket Hd.....	2
51	01-403375-01282	Clevis - Table Interlock.....	1
52	01-402275-00232	Pin - Dowel.....	1
	01-404675-01127	Top Plate Assy. (W/Interlocks) (Incls. Items 3, 4, 6, 7, 8, 17, 18, 33, & 49 thru 52)	1

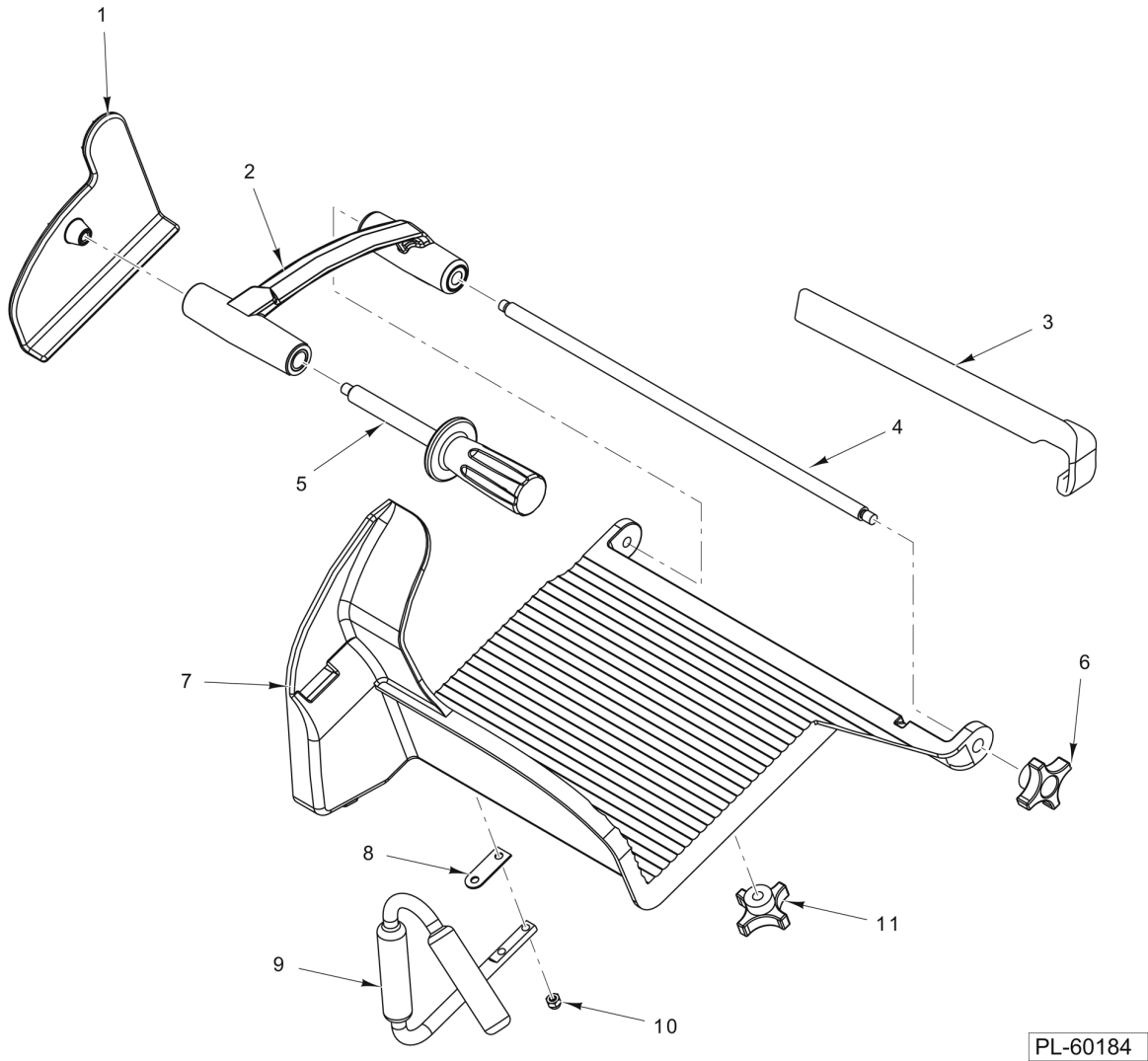


PL-60183

GAUGE PLATE ASSEMBLY

GAUGE PLATE ASSEMBLY

ILLUS.	PART NO.	NAME OF PART	AMT.
PL-60183			
1	01-403175-00941	Overlay - (Automatic) Berkel.....	1
2	01-403175-00945	Overlay - (Manual) Berkel.....	1
3	01-402175-00528	Screw M5 x 10mm Flat Hd.....	AR
4	01-403875-00237	Mount - Upper.....	1
5	01-403875-00283	Housing - Upper.....	1
6	01-403875-00257	Bushing - Plastic Flanged.....	1
7	01-403275-00219	Block - Adjustment.....	1
8	01-403375-01276	Nut - Cylindrical.....	1
9	01-403775-00458	Plate - Gauge.....	1
10	01-403875-00236	Boot - Rubber Arm.....	1
11	01-402275-05055	Lockwasher.....	2
12	01-402175-02756	Cap Screw M8 x 20mm Hex Hd.....	2
13	01-402175-00500	Set Screw.....	2
14	01-402275-06075	Lockwasher.....	1
15	01-402175-02779	Cap Screw M12 x 35 Hex Hd.....	1
16	01-404375-00232	Arm - Index Support Assy. (Incls. Items 28 & 29).....	1
17	01-402175-00517	Self-Tapping Screw M5 x 10mm Flat Socket Hd.....	2
18	01-403375-01286	Clamp - Interlock Assy.....	1
19	01-403875-00282	Housing - Lower.....	1
20	01-402175-02744	Cap Screw M6 x 16mm Socket Hd.....	AR
21	01-402275-00609	Grommet Assy. (X13E & X13AE).....	1
22	01-403375-01393	Stop Pin - Index Knob (X13E & X13AE).....	1
23	01-402375-00175	Cable - Interlock Base Assy. (X13 & X13A).....	1
24	01-402275-00414	Plug.....	1
25	01-402175-00504	Nut.....	1
26	01-403875-00173	Knob - Index Assy.....	1
27	01-403875-00257	Bushing - Plastic Flanged.....	1
28	01-403875-00258	Arm - Slider.....	1
29	01-402175-00501	Shoulder Bolt.....	1
30	01-404175-00715	Harness - Upper Panel.....	1
31	01-402675-00918	PCB Assy. Upper (Automatic).....	1
32	01-402675-00921	PCB Assy. Upper (Manual).....	1
33	01-403875-00272	Seal - Index Knob.....	1
	01-404675-01183	Kit - Housing & Seal Assy. (Incls. Items 5, 19, & 33).....	1

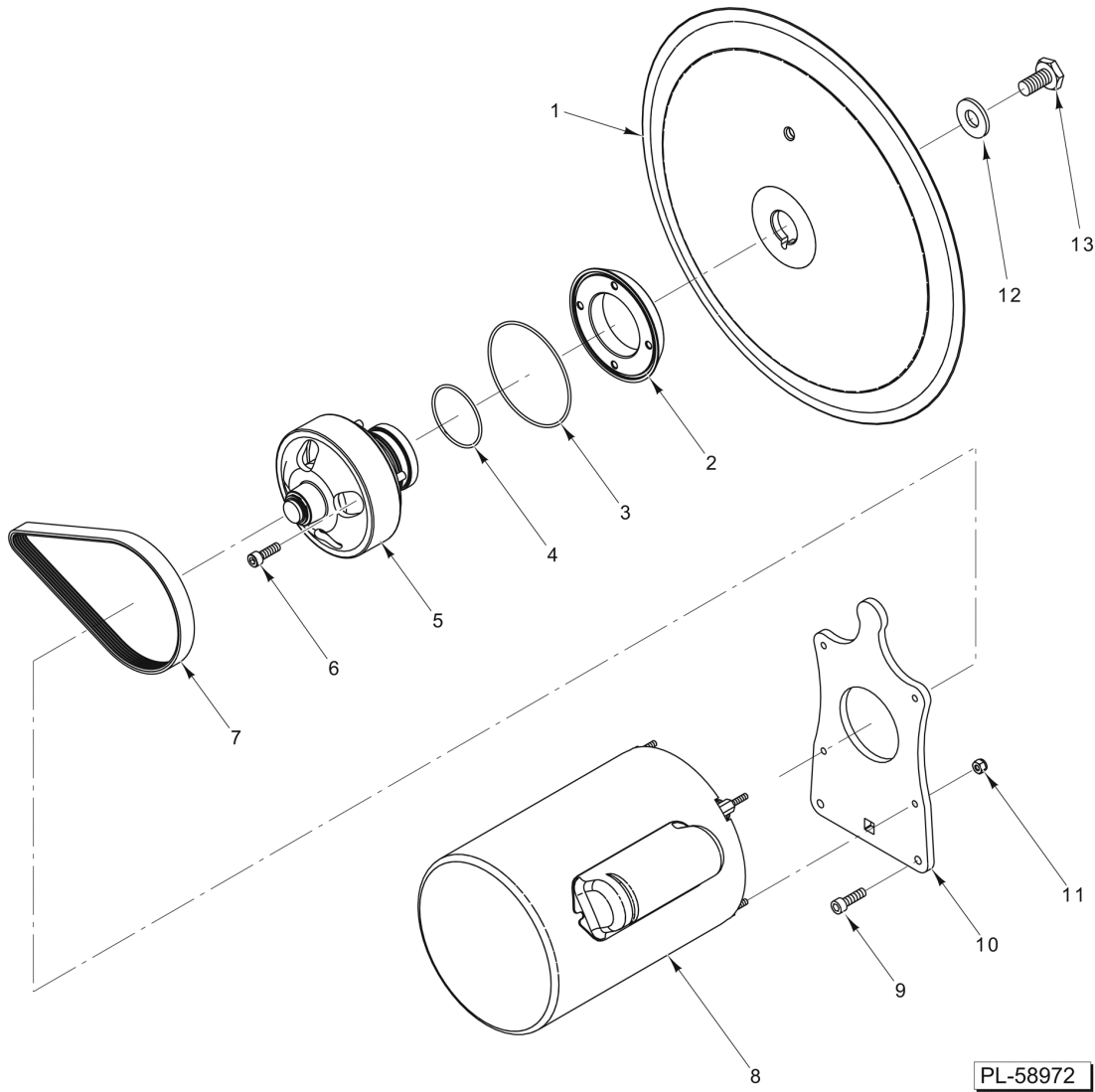


PL-60184

PRODUCT TABLE

PRODUCT TABLE

ILLUS.	PART NO.	NAME OF PART	AMT.
PL-60184			
1	01-403875-00177	Pusher Assy.....	1
2	01-404375-00245	Arm - Pusher.....	1
3	01-404675-01135	Fence - Product.....	1
4	01-403375-01417	Rail - Guide.....	1
5	01-404575-01032	Handle - Pusher.....	1
6	01-402275-00622	Knob.....	1
7	01-403875-00284	Table - Product.....	1
8	01-403875-00285	Gasket - Handle.....	1
9	01-403875-00279	Handle Assy.....	1
10	NS-025-04	Crown Nut 1/4-20 (SST).....	2
11	01-402275-00622	Knob.....	1
	01-404675-01184	Product Table Assy. (Incls. Items 1, 2, & 4 thru 11).....	1
	01-402275-00585	Dowel Pin.....	1

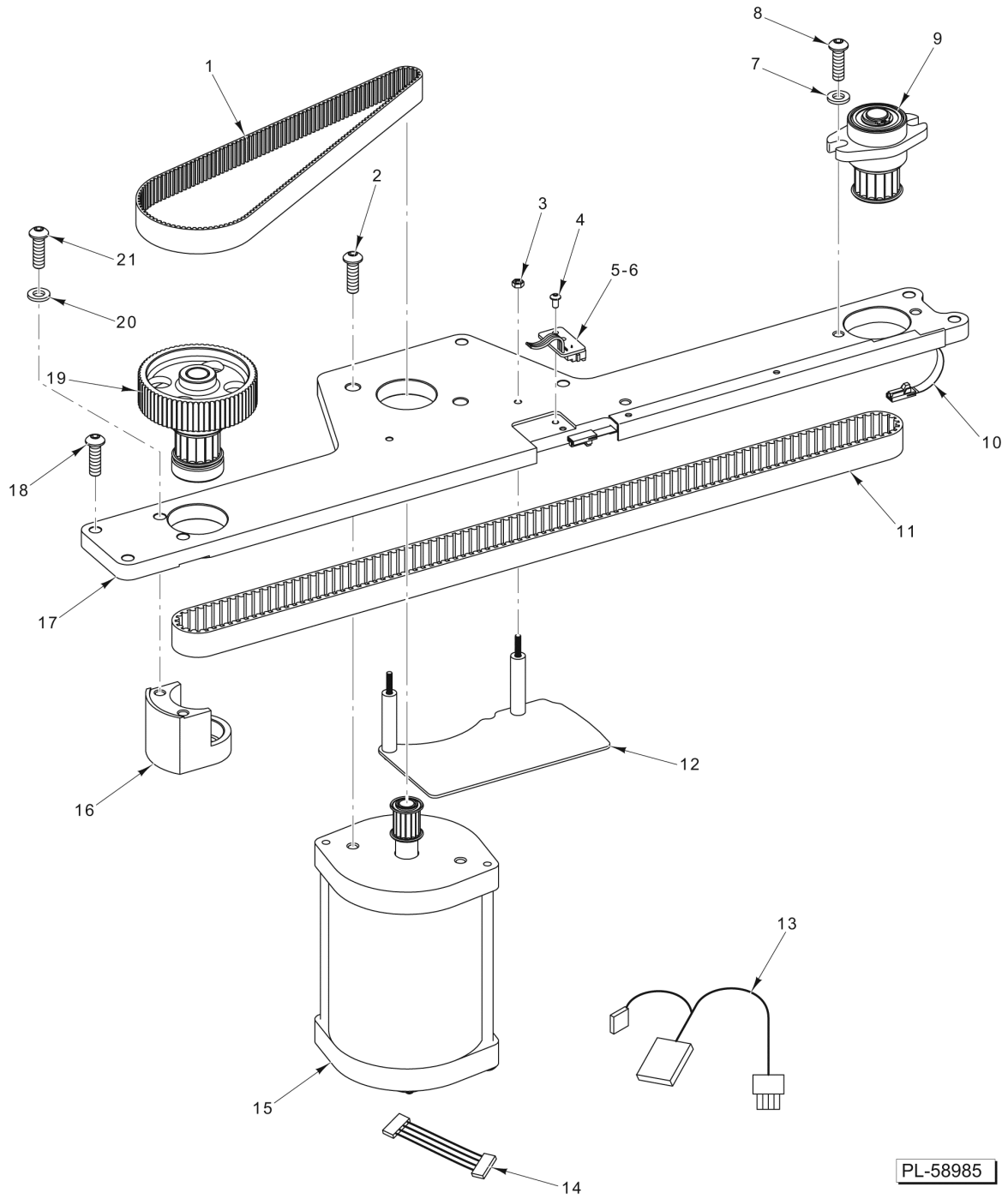


PL-58972

KNIFE AND MOTOR ASSEMBLY

KNIFE AND MOTOR ASSEMBLY

ILLUS.	PART NO.	NAME OF PART	AMT.
PL-58972			
1	01-403675-00277	Knife.....	1
2	01-403375-01269	Mount - Spindle.....	1
3	01-402275-00530	O-Ring (Spindle Mount).....	1
4	01-402275-00554	O-Ring (Bearing Housing).....	1
5	01-404675-01177	Hub Assy. (Knife).....	1
6	01-402175-02746	Cap Screw Socket Hd.....	4
7	01-402375-00176	Belt - Knife Drive.....	1
8	01-404175-00686	Motor (110-115 V.).....	1
9	01-402175-02744	Cap Screw Socket Hd.....	2
10	01-403475-00963	Mount - Knife Motor.....	1
11	01-402175-00469	Nut - Motor Mount.....	4
12	01-402275-00524	Washer.....	1
13	01-402175-00468	Bolt - Knife.....	1

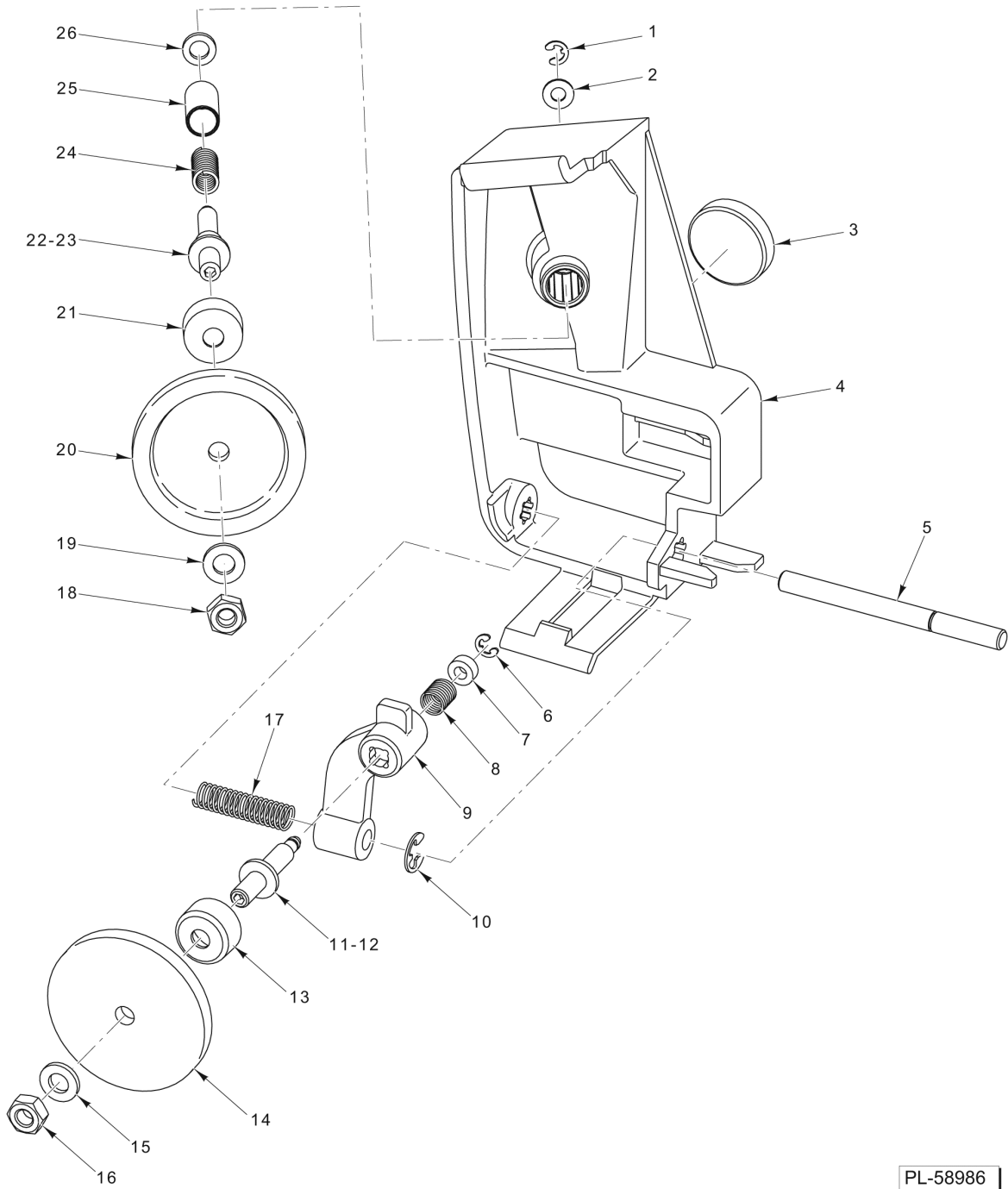


PL-58985

AUTODRIVE ASSEMBLY

AUTODRIVE ASSEMBLY

ILLUS.	PART NO.	NAME OF PART	AMT.
PL-58985			
1	01-402375-00172	Belt - Secondary.....	1
2	01-402175-02868	Cap Screw Socket Button Hd.....	1
3	01-402175-00522	Lock Nut Hex.....	2
4	01-402175-02831	Cap Screw Socket Button Hd.....	2
5	01-404175-00732	Cable (J4) (Non-Interlock) (X13AE).....	1
6	01-404175-00740	Cable Assy. (J4) (Interlock) (X13A).....	1
7	01-402275-00587	Washer.....	2
8	01-402175-02866	Cap Screw Socket Button Hd.....	2
9	01-404375-00224	Tensioner Assy.....	1
10	01-404175-00714	Flex Cable Assy.....	1
11	01-402375-00171	Belt - Primary.....	1
12	01-404675-01151	Guide Assy. (Flex Cable).....	1
13	01-404175-00716	Cable (J9) (Encode PCB Jumper).....	1
14	01-404175-00739	Cable Assy. - Optical Encoder.....	1
15	01-404175-00734	Motor Assy.....	1
16	01-403775-00495	Housing - Autodrive Transmission.....	1
17	01-404975-00481	Autodrive Plate Assy.....	1
18	01-402175-02868	Cap Screw Socket Button Hd.....	1
19	01-404375-00225	Transmission.....	1
20	01-402275-00603	Washer - Nylon.....	2
21	01-402175-02868	Cap Screw Socket Button Hd.....	2



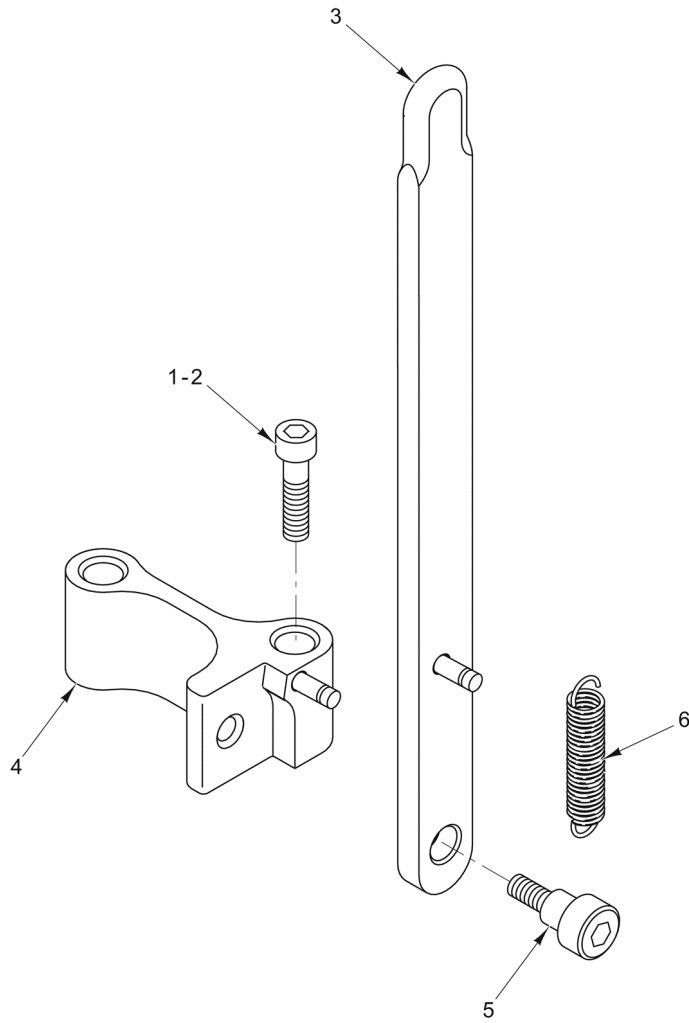
PL-58986

KNIFE SHARPENER UNIT

KNIFE SHARPENER UNIT

ILLUS. PL-58986	PART NO.	NAME OF PART	AMT.
1	01-402275-00594	E-Clip.....	1
2	01-402275-00441	Washer.....	1
3	01-402775-00733	Magnet.....	1
4	01-403875-00231	Frame - Sharpener.....	1
5	01-403375-01381	Shaft - Sharpener Actuator.....	1
6	01-402275-00594	E-Clip.....	1
7	01-402275-00595	Bushing.....	1
8	01-403275-00231	Spring - Debur.....	1
9	01-403875-00230	Frame - Debur.....	1
10	01-402275-00583	E-Clip.....	1
*11	01-404975-00485	Kit - Debur Spindle (RH) (Incls. Item 16).....	1
12	01-403375-01411	Shaft - Debur Spindle (RH).....	1
13	01-403875-00232	Skirt (Debur).....	1
14	01-403675-00283	Stone - Borazon (Debur).....	1
15	01-402275-00587	Washer.....	1
*16	01-402175-00540	Nut M6-1 Hex (RH).....	1
17	01-403275-00232	Spring - Sharpener Actuator.....	1
*18	01-402175-00540	Nut M6-1 Hex (RH).....	1
19	01-402275-00587	Washer.....	1
20	01-403675-00283	Stone - Borazon (Sharpener).....	1
21	01-403875-00232	Skirt (Sharpener).....	1
*22	01-404975-00484	Kit - Sharpening Spindle (RH) (Incls. Item 18).....	1
23	01-403375-01410	Shaft - Sharpening Spindle (RH).....	1
24	01-403275-00230	Spring - Sharpener.....	1
25	01-402275-00596	Bushing.....	1
26	01-403475-01040	Washer - Fiber.....	1
	01-404675-01158	Knife Sharpener Assy. (Incls. Items 1 thru 26).....	1

* (When replacing left-hand threaded nuts or shafts with right-hand threaded parts, use kit item 11 or 22. Note that left-hand nuts and shafts are no longer available.)



PL-58984

KICKSTAND ASSEMBLY

KICKSTAND ASSEMBLY

ILLUS.	PART NO.	NAME OF PART	AMT.
PL-58984			
1	01-402175-00527	Screw M6 x 40mm Button Socket Hd. (Automatic Slicers).....	1
2	01-402175-02869	Cap Screw Button Hd. (Manual Slicers).....	1
3	01-404375-00235	Leg - Kickstand Sub Assy.....	1
4	01-404375-00234	Bracket Assy. - Kickstand.....	1
5	01-402175-00525	Shoulder Bolt.....	1
6	01-403275-00234	Spring - Extension.....	1
	01-404675-01139	Kickstand Assy. (Incls. Items 3 thru 6).....	1

