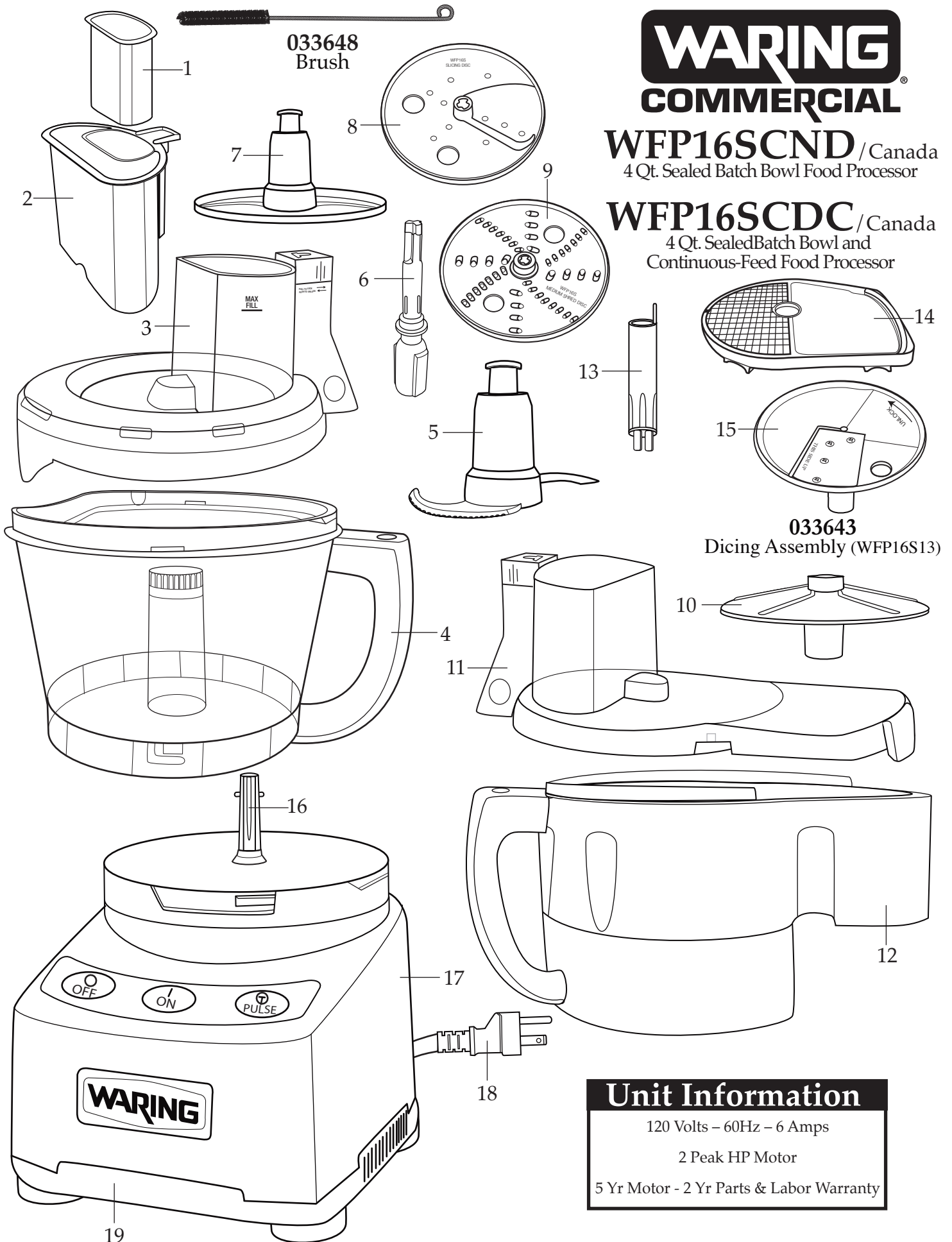


WARING
COMMERCIAL

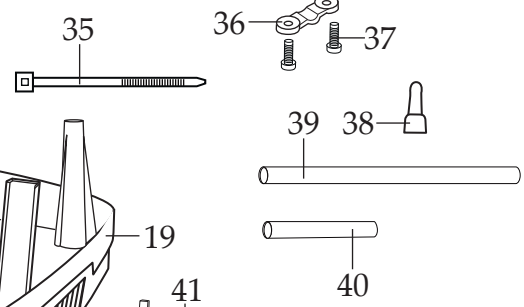
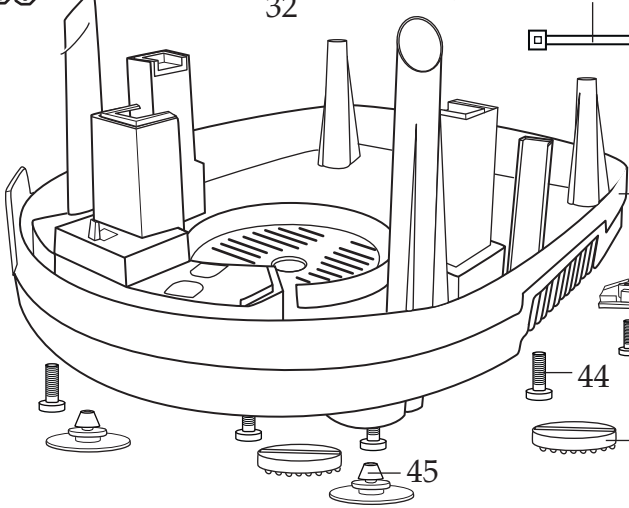
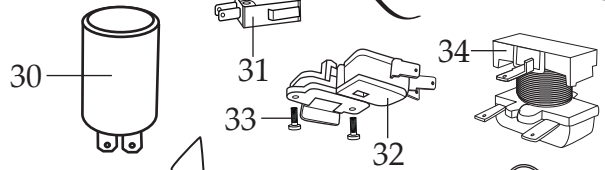
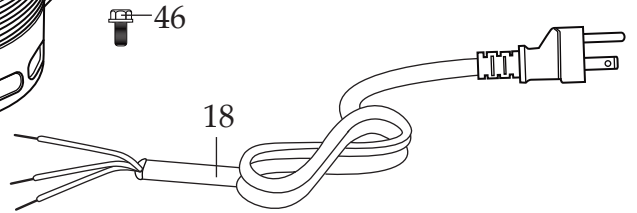
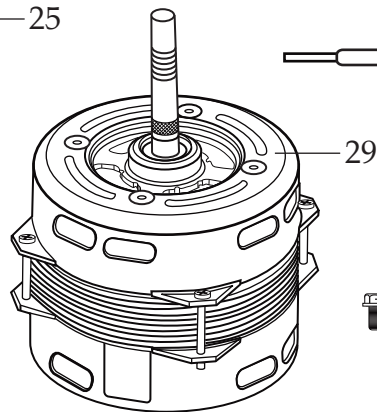
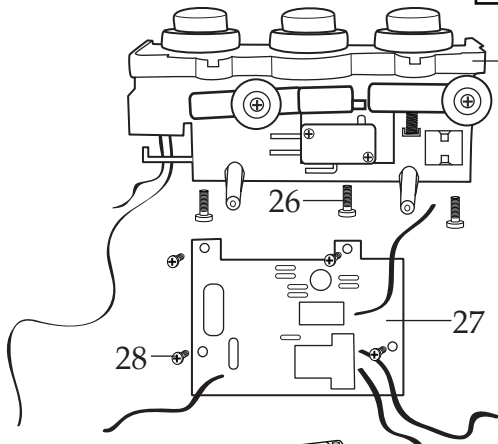
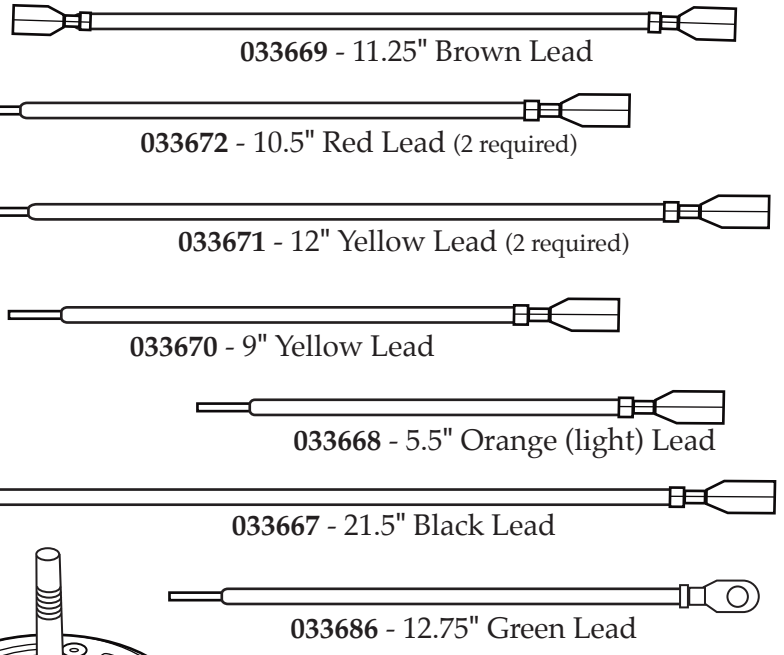
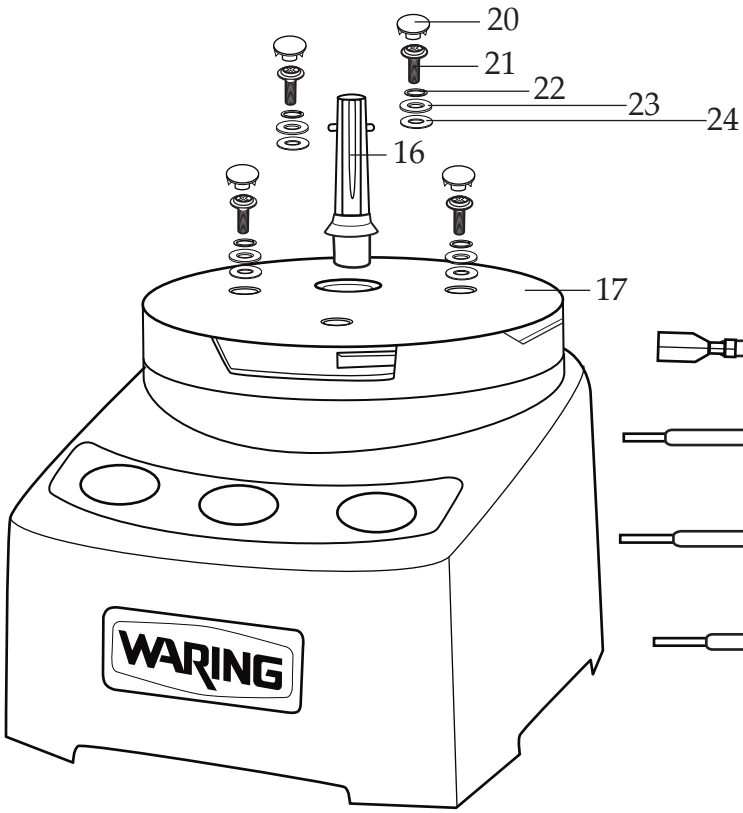
WFP16SCND / Canada
4 Qt. Sealed Batch Bowl Food Processor

WFP16SCDC / Canada
4 Qt. Sealed Batch Bowl and
Continuous-Feed Food Processor



Unit Information
120 Volts – 60Hz – 6 Amps
2 Peak HP Motor
5 Yr Motor - 2 Yr Parts & Labor Warranty

WARING® COMMERCIAL WFP16SCND WFP16SCDC



Catalog/Model

WFP16SCND
WFP16SCDC

Waring Factory Service Center
314 Ella T. Grasso Ave.
Torrington, CT 06790
Tele. 1-800-269-6640

Fax 860-496-9017
www.waringcommercialproducts.com

Illustration #	Part #	Description
1	033637	Small Pusher
2	033636	Large Pusher
3	033633	Batch Bowl Cover
4	033632	Batch Bowl
5	033631	S Blade
6	033639	Disc Stem
7	033641	Sealed Whipping Disc
8	033640	Adjustable Slicing Disc
9	033642	Reversible Shredding Disc
10	033638	Slinger
11	034611	Continuous-Feed Cover
12	034609	Continuous-Feed Chute
13	027166	Dicing Cleaning Tool
14	033649	3/8" Dicing Grid ONLY
15	033650	3/8" Slicing Disc ONLY
16	033658	Motor Sheath w/ Shaft Cover
17	033673	Top Housing Assembly
18	024782	Cord
19	033651	Bottom Housing with Rubber Mounts
20	033674	Hole Plugs (4 required)
21	033676	Sems (4 required)
22	033677	Spring Washer (4 required)
23	024757	Washer (4 required)
24	024759	Washer (4 required)
25	033663	Main Switch Holder Assembly with Switch (033659)
26	033660	Screw (3 required)

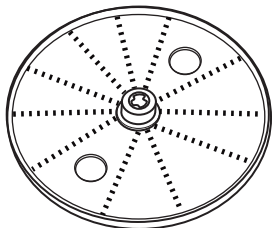
Catalog/Model

WFP16SCND

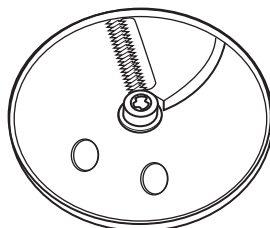
WFP16SCDC



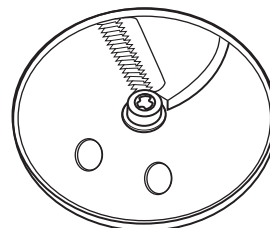
Illustration #	Part #	Description
27	033664	Main Board Assembly with Components & Leads
28	033654	Screw (4 required)
29	033657	Motor with Fan
30	033661	Start Capacitor
31	033659	Switch (for batch bowl)
32	033665	Switch with Holder (for continuous feed bowl)
33	033660	Screw (2 required)
34	033662	Relay
35	013731	Wire Ties (7 required)
36	033666	Cord Clamp
37	033654	Screw (2 required)
38	012409	Crimp Connector (6 required)
39	033678	5.5" Rubber Sleeve (4 required)
40	033679	3.25" Rubber Sleeve
41	033652	Lower Housing Cover
42	001843	Screw (2 required)
43	033655	Front Foot (2 required)
44	033653	Screw (4 required)
45	033656	Back Foot (2 required)
46	033675	Ground Bolt



033646
Grating Disc
(WFP16S16)



033644
Julienne Disc
(WFP16S14)



033645
French Fry Disc
(WFP16S15)