



Margarita Madness® Blenders

MMB142

MMB142-3

MMB14C w/ Extra Container

MMB14CRD /Restaurant Depot

Units Marked for Deletion

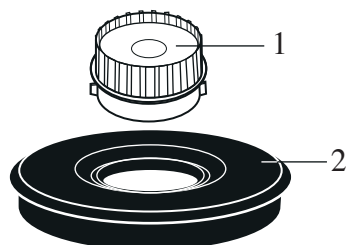
MMB144 (on 5/10/2004)
Mardi Gras Madness® Blender

MMBCC (on 3/26/2009)
SYSCO Cocktail Cantina Blender

MMC142 (on 10/22/2004)
Margarita Madness® Blender /CSA

MMD14C (on 10/22/2004)
Margarita Madness® Blender/Don

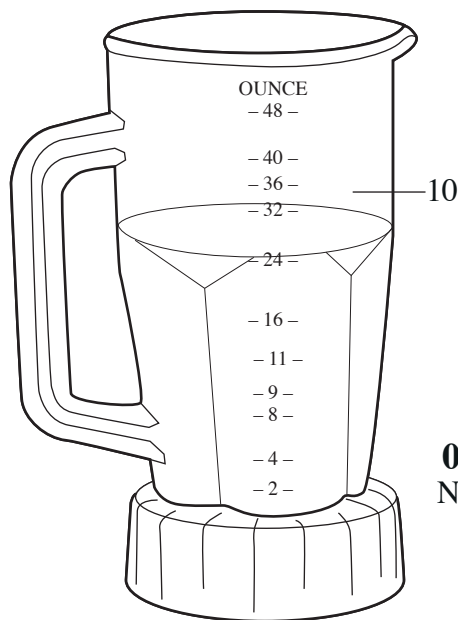
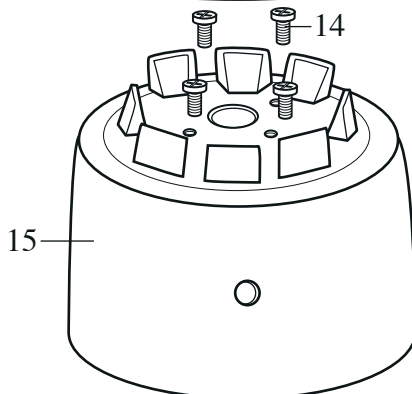
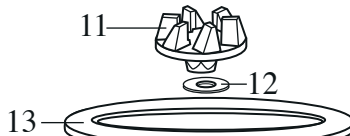
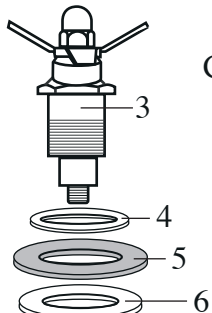
MMT149 (on 10/13/2003)
Tropics Blender



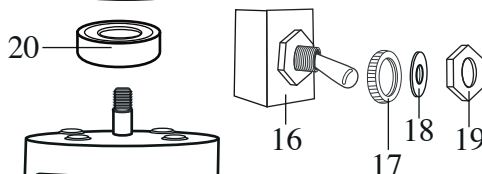
500664
2 Piece Lid



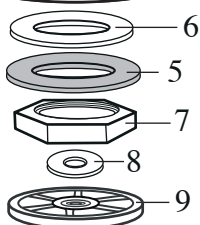
032588
Container Complete with Lid (CAC21)



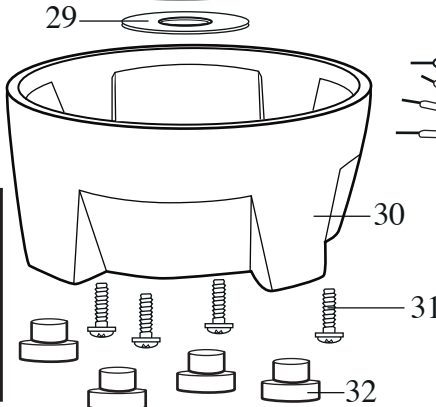
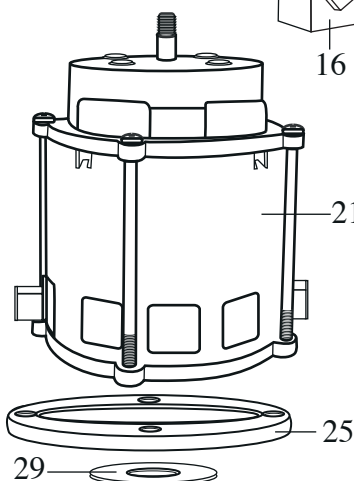
013304
NSF Seal



033194
Brush & Spring (2 required)
for 029321 motor



503154
Container with Blending Assembly
503173
Blending Assembly



Unit Information

- Heavy-duty 1½ HP, 2-speed motor
- User-replaceable, metal-reinforced rubber drive coupling

Catalog**Model #**

MMB142

HGBPBKP4

37BL50

MMB142-3 (on units after 11/15/2005) (on units after 12/24/2001)

MMB14C 120V - 60Hz - 8.5 Amps 120V - 50/60Hz - 7.5 Amps. 37BL75

MMB14CRD 37BL50

MMB144

MMBCC

MMC142

MMD142

MMT149

Waring Factory Service Center**314 Ella T. Grasso Ave.****Torrington, CT 06790****Tele. 1-800-269-6640****Fax 860-496-9017****www.waringcommercialproducts.com***Units Marked for Deletion*

37BL52

38BL46

38BL48

Illustration #	Part #	Description
1	011700	Center Lid
2	013442	Black Round Outer Lid
3	503153	Blade Assembly
4	009724	Nylon Washer
5	003537	Stainless Steel Washer (2 required)
6	003509	Neoprene Washer (2 required)
7	009780	Hex Nut
8	003507	Stainless Steel Washer
9	014014	Coupling (wagon wheel)
10	019560-E	48 oz. Eastman Container
11	018999	Drive Coupling (2 required)
12	026413 003507	Washer Cap (on units after 6/7/2002) Washer
13	017777	Cushion Ring
14	007558	Screw (4 required)
15	015377-09	Black Top Housing (changed after 6/27/2002)
16	029355 012698	Toggle Switch (changed after 4/26/2004) Toggle Switch
17	014603	Locking Ring
18	014604	Washer-lint
19	016236	Hex Nut
20	019937	Housing Seal
21	029321	Motor
22	501232	Lead
23	009051	Wire Nut (2 required)
24	012409	Crimp Connector (on MMB142 units after 3/4/2008) (on MMB14C units after 4/8/2008) (2 required on MMC142 units)
25	025662 013365	Foam Baffle (on units after 1/23/2002) Baffle (OBSOLETE)
26	503195 501658	Green-Yellow Lead (on MMB142 units after 3/4/2008) (on MMB14C units after 4/8/2008) Green-Yellow Lead
27	029309 003565 500830	Cord Set (on units after 4/8/2008) Cord Set (on units after 9/18/2002) Cord Set
28	012920 007556	Strain Relief (on MMB142 units after 3/4/2008) (on MMB14C units after 4/8/2002) Strain Relief

Catalog

MMB142
 MMB142-3 (on units after 11/15/2005) (on units after 12/24/2001)
 MMB14C 120V – 60Hz – 8.5 Amps 120V – 50/60Hz – 7.5 Amps.
 MMB14CRD
 MMB144
 MMBCC
 MMC142
 MMD142
 MMT149

Model #

HGBPBKP4

37BL50

37BL75

37BL50

Waring Factory Service Center
 314 Ella T. Grasso Ave.
 Torrington, CT 06790
 Tele. 1-800-269-6640
 Fax 860-496-9017
 www.waringcommercialproducts.com




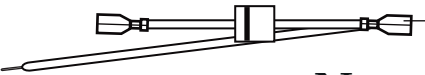
Units Marked for Deletion

37BL52
 38BL46
 38BL48

Illustration # Part # Description

29	008324	Gasket
30	028591-X 014012	Plastic Bottom Housing (on units after 4/8/2008) Metal Bottom Housing
31	017239	Screw (4 required)
32	004090	Foot (4 required)

Parts No Longer Used

013963- Bottom Housing Screen (on units before 5/9/2008)  002436 - Ground Screw (on units before 5/9/2008) 
 002943 - Ground Washer (on units before 5/9/2008) 
 500455 - Black Lead with Diode-003262 (on units before 10/1/2002) 

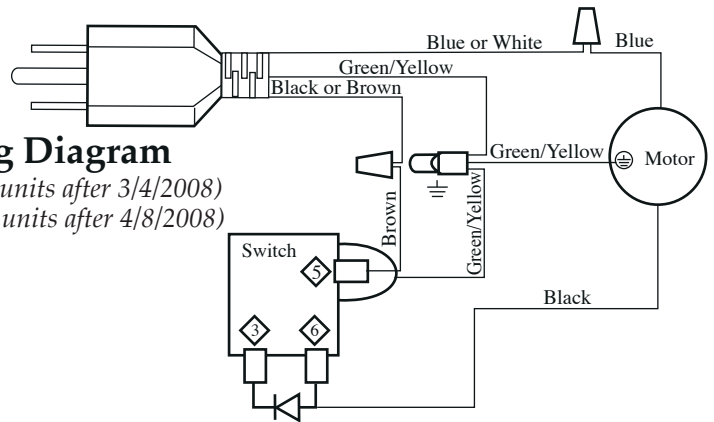
Name Plates Not Shown

026061 - Name Plate for MMB142, MMB142-3, MMB14C, MMB14CRD, MMC142 (on units after 10/22/2001)
 018274 - Name Plate for MMB142, MMC142

Namplates (no longer available) 026040 - MMB144 • 023273 - MMBCC • 019142 - MMD14C • 019178 - MMT149

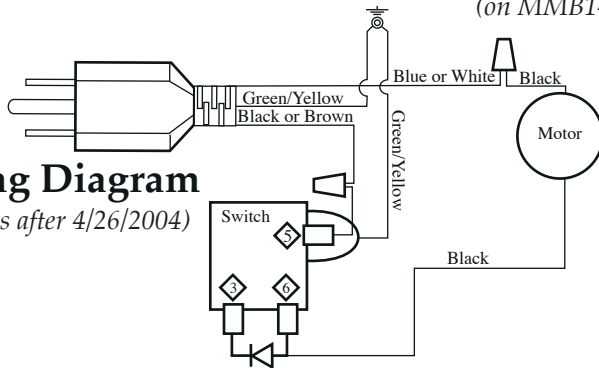
Wiring Diagram

(on MMB142 units after 3/4/2008)
 (on MMB14C units after 4/8/2008)



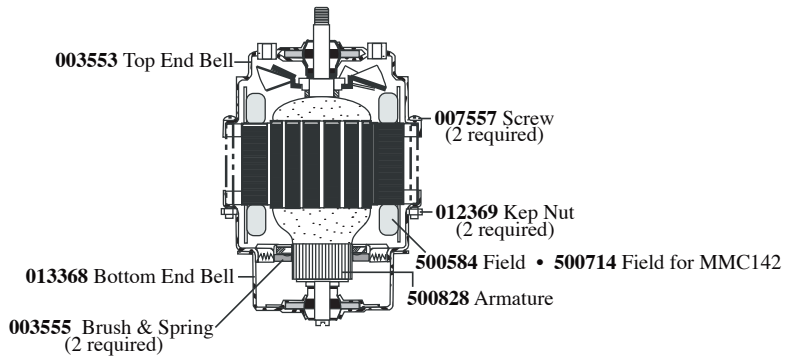
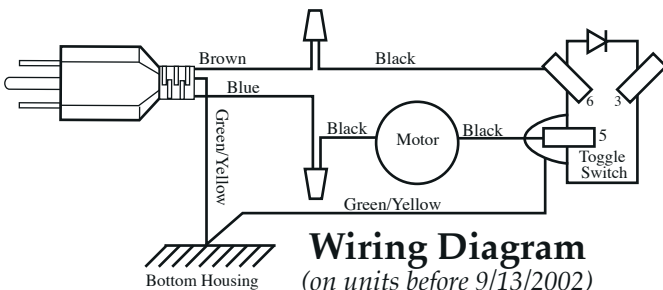
Wiring Diagram

(on units after 4/26/2004)



Wiring Diagram

(on units before 9/13/2002)



701191 Motor (use 029321)
 Limited Availability of parts for this motor