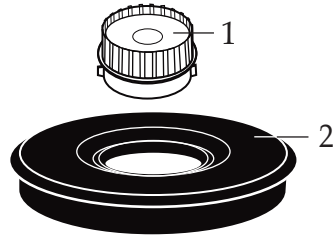
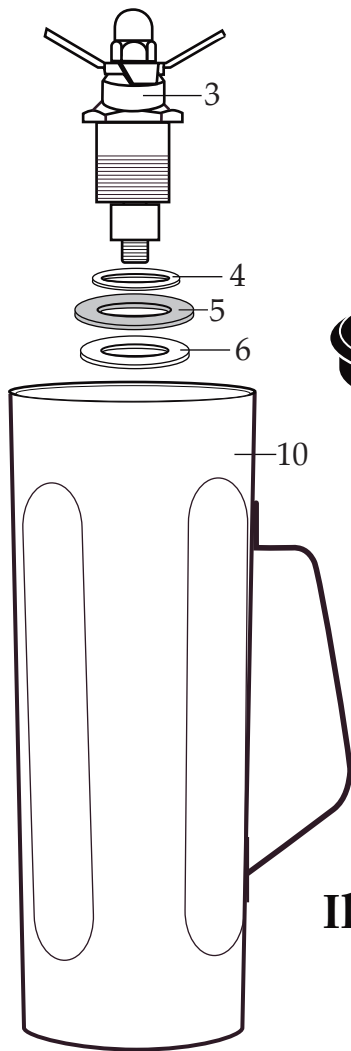


WARING COMMERCIAL

64 oz. Stainless Steel Container Complete
with Blending Assembly and Lid
for HGB Blenders

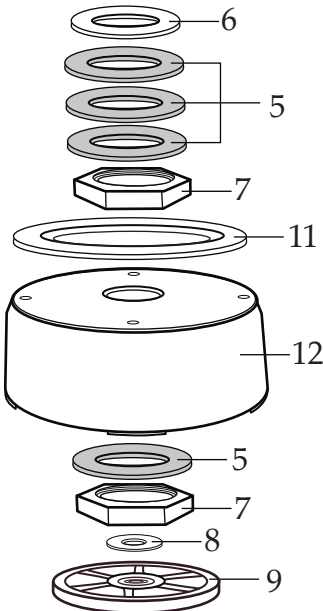
CAC31 - 032590



500664
2 Piece Lid



013304
NSF Seal



503119 (changed after 5/22/2006)
Blending Assembly

503079 (changed after 5/22/2006)
64 oz. Stainless Steel Container
with Blending Assembly

701402
64 oz. Stainless Steel Container
with Blending Assembly & Lid

Illustration #	Part #	Description
1	011700	Center Lid
2	013442	Outer Lid
3	503077	Blade Assembly (changed after 5/22/2006)
4	009724	Nylon Washer
5	003537	Stainless Steel Washer (5 required)
6	003509	Neoprene Washer (rubber 2 required)
7	009780	Hex Nut (left handed thread 2 required)
8	003507	Stainless Steel Washer
9	014014	Drive Coupling (wagon wheel)
10	007540	64 oz. Stainless Steel Container
11	014915	Base Gasket
12	014914	Container Base