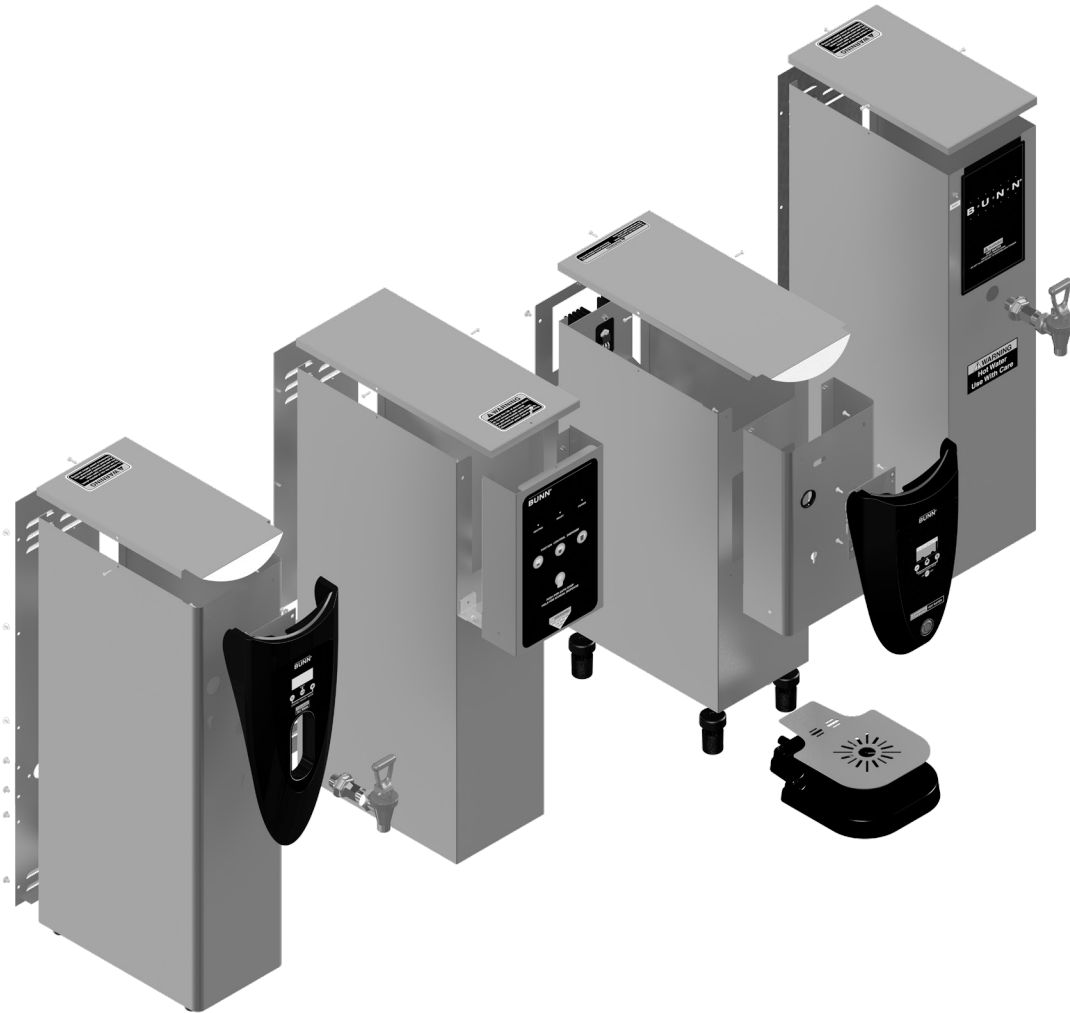


# **BUNN**<sup>®</sup> *H3/H5 SERIES* *w/Universal Component* *Mounting Bracket*



## **ILLUSTRATED PARTS CATALOG**

Designs, materials, weights, specifications, and dimensions for equipment or replacement parts are subject to change without notice.

### **BUNN-O-MATIC CORPORATION**

POST OFFICE BOX 3227

SPRINGFIELD, ILLINOIS 62708-3227

PHONE: (217) 529-6601 FAX: (217) 529-6644



## BUNN-O-MATIC COMMERCIAL PRODUCT WARRANTY

Bunn-O-Matic Corp. ("BUNN") warrants equipment manufactured by it as follows:

- 1) Airpots, thermal carafes, decanters, GPR servers, iced tea/coffee dispensers, MCR/MCP/MCA single cup brewers, thermal servers and ThermoFresh® servers (mechanical and digital) 1 year parts and 1 year labor.
- 2) All other equipment - 2 years parts and 1 year labor plus added warranties as specified below:
  - a) Electronic circuit and/or control boards - parts and labor for 3 years.
  - b) Compressors on refrigeration equipment - 5 years parts and 1 year labor.
  - c) Grinding burrs on coffee grinding equipment to grind coffee to meet original factory screen sieve analysis - parts and labor for 4 years or 40,000 pounds of coffee, whichever comes first.

These warranty periods run from the date of installation BUNN warrants that the equipment manufactured by it will be commercially free of defects in material and workmanship existing at the time of manufacture and appearing within the applicable warranty period. This warranty does not apply to any equipment, component or part that was not manufactured by BUNN or that, in BUNN's judgment, has been affected by misuse, neglect, alteration, improper installation or operation, improper maintenance or repair, non periodic cleaning and descaling, equipment failures related to poor water quality, damage or casualty. In addition, the warranty does not apply to replacement of items subject to normal use including but not limited to user replaceable parts such as seals and gaskets. This warranty is conditioned on the Buyer 1) giving BUNN prompt notice of any claim to be made under this warranty by telephone at (217) 529-6601 or by writing to Post Office Box 3227, Springfield, Illinois 62708-3227; 2) if requested by BUNN, shipping the defective equipment prepaid to an authorized BUNN service location; and 3) receiving prior authorization from BUNN that the defective equipment is under warranty.

**THE FOREGOING WARRANTY IS EXCLUSIVE AND IS IN LIEU OF ANY OTHER WARRANTY, WRITTEN OR ORAL, EXPRESS OR IMPLIED, INCLUDING, BUT NOT LIMITED TO, ANY IMPLIED WARRANTY OF EITHER MERCHANTABILITY OR FITNESS FOR A PARTICULAR PURPOSE.** The agents, dealers or employees of BUNN are not authorized to make modifications to this warranty or to make additional warranties that are binding on BUNN. Accordingly, statements by such individuals, whether oral or written, do not constitute warranties and should not be relied upon.

If BUNN determines in its sole discretion that the equipment does not conform to the warranty, BUNN, at its exclusive option while the equipment is under warranty, shall either 1) provide at no charge replacement parts and/or labor (during the applicable parts and labor warranty periods specified above) to repair the defective components, provided that this repair is done by a BUNN Authorized Service Representative; or 2) shall replace the equipment or refund the purchase price for the equipment.

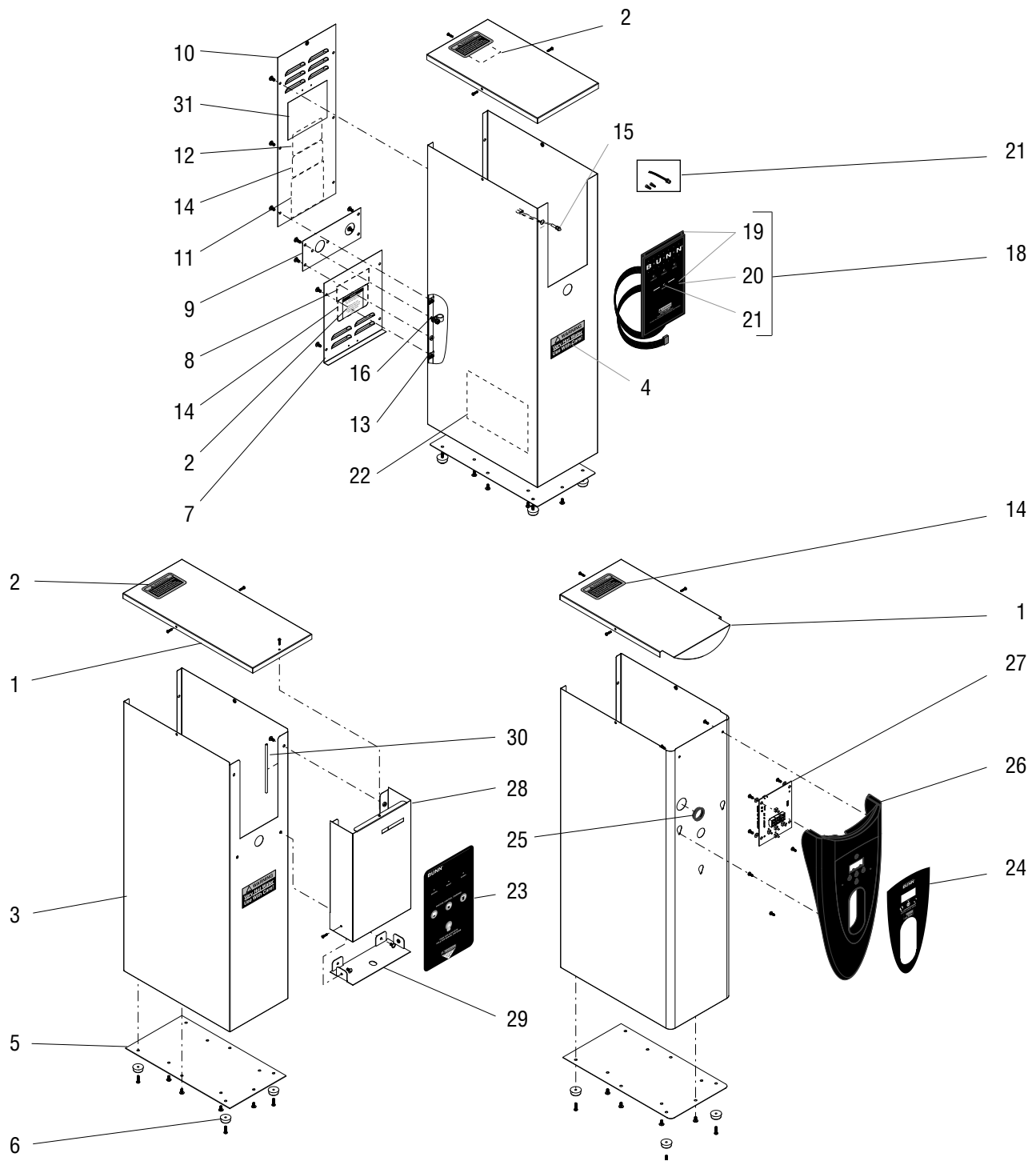
**THE BUYER'S REMEDY AGAINST BUNN FOR THE BREACH OF ANY OBLIGATION ARISING OUT OF THE SALE OF THIS EQUIPMENT, WHETHER DERIVED FROM WARRANTY OR OTHERWISE, SHALL BE LIMITED, AT BUNN'S SOLE OPTION AS SPECIFIED HEREIN, TO REPAIR, REPLACEMENT OR REFUND.**

In no event shall BUNN be liable for any other damage or loss, including, but not limited to, lost profits, lost sales, loss of use of equipment, claims of Buyer's customers, cost of capital, cost of down time, cost of substitute equipment, facilities or services, or any other special, incidental or consequential damages.

392, A Partner You Can Count On, Air Infusion, AutoPOD, AXIOM, BrewLOGIC, BrewMETER, Brew Better Not Bitter, BrewWISE, BrewWIZARD, BUNN Espresso, BUNN Family Gourmet, BUNN Gourmet, BUNN Pour-O-Matic, BUNN, BUNN with the stylized red line, BUNNlink, Bunn-OMatic, Bunn-O-Matic, BUNNserve, BUNNSERVE with the stylized wrench design, Cool Froth, DBC, Dr. Brew stylized Dr. design, Dual, Easy Pour, EasyClear, EasyGard, FlavorGard, Gourmet Ice, Gourmet Juice, High Intensity, iMIX, Infusion Series, Intellisteam, My Café, Phase Brew, PowerLogic, Quality Beverage Equipment Worldwide, Respect Earth, Respect Earth with the stylized leaf and coffee cherry design, Safety-Fresh, savemycoffee.com, Scale-Pro, Silver Series, Single, Smart Funnel, Smart Hopper, SmartWAVE, Soft Heat, SplashGard, The Mark of Quality in Beverage Equipment Worldwide, ThermoFresh, Titan, trifacta, TRIFECTA (stylized logo), Velocity Brew, Air Brew, Beverage Bar Creator, Beverage Profit Calculator, Brew better, not bitter., Build-A-Drink, BUNNSource, Coffee At Its Best, Cyclonic Heating System, Daypart, Digital Brewer Control, Element, Milk Texturing Fusion, Nothing Brews Like a BUNN, Picture Prompted Cleaning, Pouring Profits, Signature Series, Sure Tamp, Tea At Its Best, The Horizontal Red Line, Ultra are either trademarks or registered trademarks of Bunn-O-Matic Corporation. The commercial trifacta® brewer housing configuration is a trademark of Bunn-O-Matic Corporation.

# TABLE OF CONTENTS

EXTERIOR COMPONENTS .....	4
ELECTRICAL COMPONENTS.....	10
TANK HEATER & SAFETY DEVICES.....	16
TANK, INLET & DISPENSE - H5 .....	18
TANK, INLET & DISPENSE - H3 .....	22
WALL BRACKETS, DRIP TRAY & WIRE SHELF.....	24
NUMERICAL INDEX .....	26



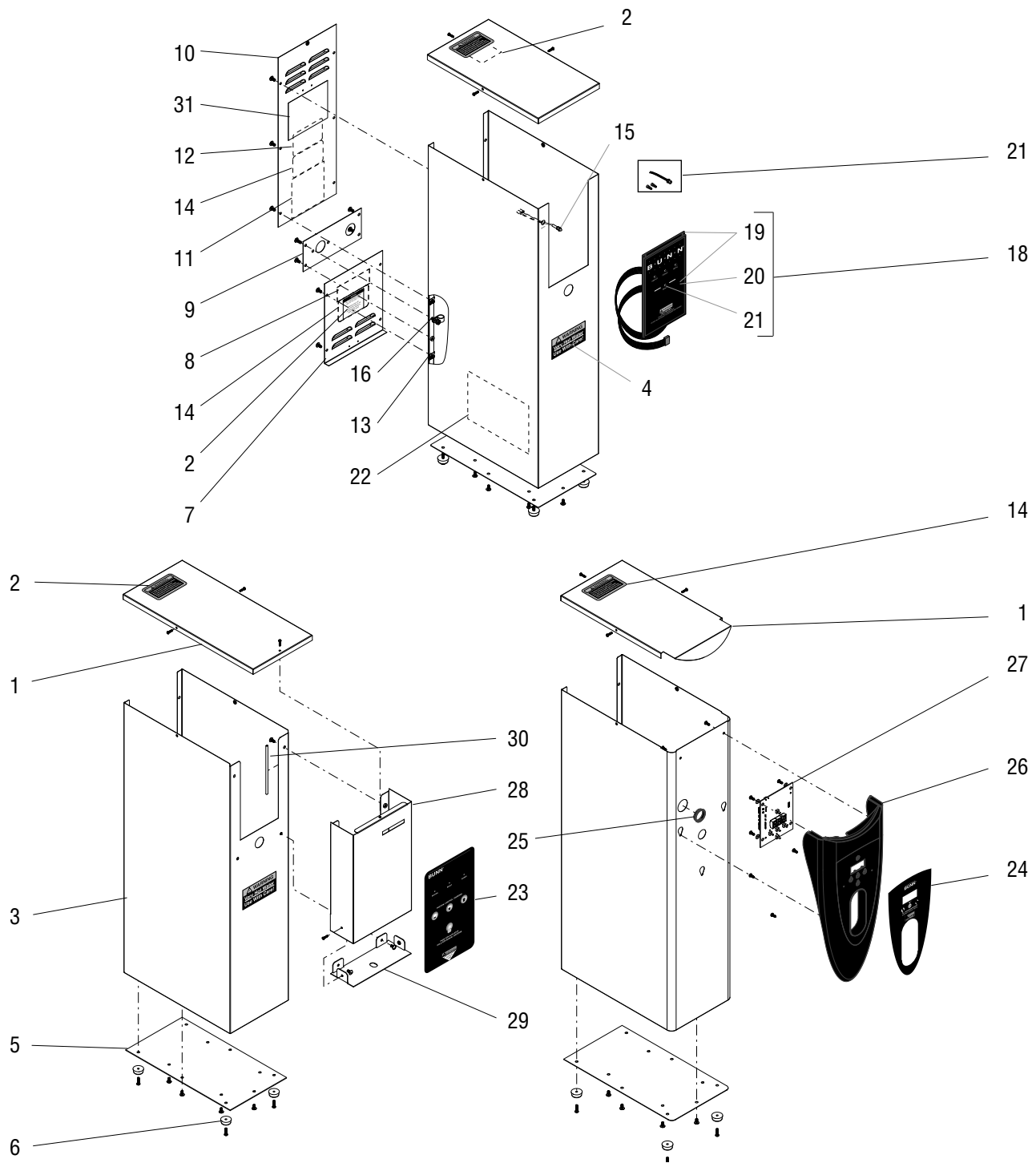
**EXTERIOR COMPONENTS  
DESCRIPTION**

ITEM	PART NO.	QTY.	DESCRIPTION
1	27353.0000	1	Cover W/Decal (Includes item 14) (Does <u>Not</u> Include item 2) H5E/X/M
	12505.1009	1	Cover (PC)
	12505.1004	1	Cover W/Decal SST (Includes # 14) ELEMENT
	12505.1005	1	Cover W/Decal Red (Includes # 14) ELEMENT
	12505.1006	1	Cover W/Decal Copper (Includes # 14) ELEMENT
	12505.1007	1	Cover W/Decal Black (Includes # 14) ELEMENT
	12505.1008	1	Cover W/Decal White (Includes # 14) ELEMENT
		1	Cover SST (Includes # 14) H3 ELEMENT <b>NOT AVAILABLE</b>
	01303.0000	3	Screw, Pan Head #4 - 40 X .50"
2		2	Decal - Notice 200-240V Components (Used on 208 & 240V only) <b>NOT AVAILABLE</b>
3		1	Housing Wldmt, Sst (No Switch) H5e, Element
		1	Housing Wldmt, Red Element
		1	Housing Wldmt, Copper Element
		1	Housing Wldmt, Black Element
		1	Housing Wldmt, White Element
		1	Housing Wldmt, Sst No Switch H5e/X/Ma (Ce)
		1	Housing Wldmt, Sst W/Switch H5e/X/M
		1	Housing Wldmt, Sst W/Switch H5e/X/M
		1	Housing Wldmt, Sst Front Switch H5e/X/M
		1	Housing Wldmt, Sst (0027 & Shld) H5e/X/M
		1	Housing Wldmt, Sst (0024 & Shld)H5e/X/Ma (Ce)
		1	Housing Wldmt, Sst H5-PC 200V
		12503.1005	1
	12503.0032	1	Housing Wldmt, Sst H5 Element w/Rocker Switch
		1	Housing Wldmt, Sst H3 Element w/Toggle Switch <b>NOT AVAILABLE</b>
			<b>NOT AVAILABLE</b>
4	12593.0000	1	Decal, Warning Very Hot Water (Not used on 72° & 100° F Dispensers)
5	12509.0000	1	Plate, Bottom All but ELEMENT
	12509.0002	1	Plate, Bottom H5 ELEMENT ONLY
	12509.0003	1	Plate, Bottom H3 ELEMENT ONLY
	01315.0000	7	Screw, Truss Head #8 - 32 X .38"
6	00731.0000	4	Foot, Rubber
	01390.0000	4	Screw, Round Head #8 - 32 X .62"
7	23534.0000	1	Panel W/Decal, Rear - Lower SST (Includes items 8 & 14) H5E/X/M/PC
	12506.1002	1	Panel W/Decal, Rear - Lower Red (Includes items 8 & 14) ELEMENT
	12506.1003	1	Panel W/Decal, Rear - Lower Copper (Includes items 8 & 14) ELEMENT
	12506.1004	1	Panel W/Decal, Rear - Lower Black (Includes items 8 & 14) ELEMENT
	12506.1005	1	Panel W/Decal, Rear - Lower White (Includes items 8 & 14) ELEMENT
		1	Panel, Rear - Lower SST H3 Element <b>NOT AVAILABLE</b>
		01311.0000	4
8	00656.0001	1	Decal, Comply To Plumbing Code
9	12507.0001	1	Panel, Rear - Middle SST (All models except 120V H3)
	12507.1003	1	Panel, Rear - Middle Red
	12507.1004	1	Panel, Rear - Middle Copper
	12507.1005	1	Panel, Rear - Middle Black
	12507.1006	1	Panel, Rear - Middle White
	12507.0007	1	Panel, Rear - Middle SST (120V H3 Only)
		01311.0000	4

(Continued)

\* Indicates the part number listed is for reference only. See DESCRIPTION for possible service replacement.

(Continued)

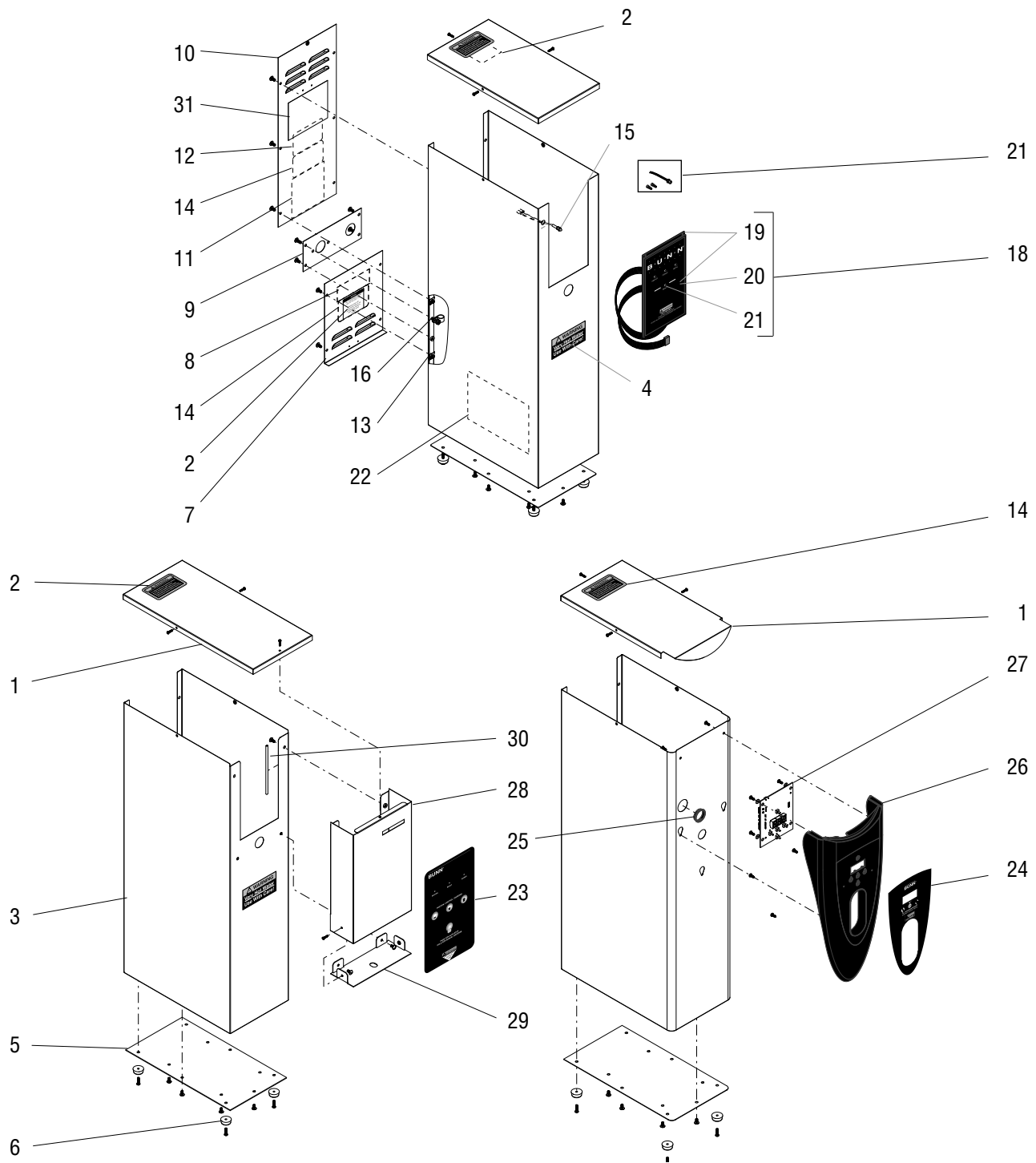


**EXTERIOR COMPONENTS  
DESCRIPTION**

ITEM	PART NO.	QTY.	DESCRIPTION
10	23533.0001	1	Panel W/Decal, Rear - Upper SST (Includes items 11 & 14) (Also order item 12)
	12510.1001	1	Panel W/Decal, Rear - Upper Red (Includes items 11 & 14) (Also order item 12)
	12510.1002	1	Panel W/Decal, Rear - Upper Copper (Includes items 11 & 14) (Also order item 12)
	12510.1003	1	Panel W/Decal, Rear - Upper Black (Includes items 11 & 14) (Also order item 12)
	12510.1004	1	Panel W/Decal, Rear - Upper White (Includes items 11 & 14) (Also order item 12)
		1	Panel, Rear - Upper SST H3 Element <b>NOT AVAILABLE</b>
	01311.0000	5	Screw, Truss Head #8 - 32 X .25"
	01315.0000	1	Screw, Truss Head #8 - 32 X .38"
11	00831.0000	1	Decal, Warning - Electrical
12	29710.0017	1	Decal, Optional Field Wiring 120V (PC)
	29710.0018	1	Decal, Optional Field Wiring Dual Volt (PC)
13	00917.0000	8	Clip, J-Type #8 - 32 (Early models)
14	37881.0000	3	Decal, No Serviceable Parts
15	47575.1000	1	Lamp Assy, Green 120V (Includes Terminal Housing) H5M
	47575.1001	1	Lamp Assy, Green 240V (Includes Terminal Housing) H5MA
	04243.0000	2	Terminal Housing
	20749.0000	1	Decal, Ready (H5M)
16	00603.0000	1	Clamp (Early models)
17		1	Bracket, Component Mounting (All Models) <b>NOT AVAILABLE</b>
18	21112.1000	1	Panel Assy W/LED Indicators & Decal (H5E/H5X)
19	21033.0000	1	Panel W/Decal (H5E/H5X)
	21033.0001	1	Panel W/Decal (H5M)
20	21031.0000	1	Decal, Decorative (H5E/H5X)
	21031.0001	1	Decal, (H5M)
21	12517.0001	4	Kit, LED Indicator (Includes one LED & item 15)(Not Illustrated) (H5E/X)
	25292.0000	1	Lockwasher M6
	34130.0000	1	Nut M6
	01570.0000	2	Wire Nut, 2-24 AWG Min.
22	25151.0000	1	Shield, Insulator
23	39168.0000	1	Membrane Switch (Portion Control)
24	44025.0000	1	Decal H5 Element
	44025.0002	1	Decal H3 Element
25	44222.0000	1	Bushing (Element)
26	44024.1001	1	Kit, Face Plate (Includes Decal & Screws) (Element)
	49749.0000	1	Face Plate H3 Element (No decal)
	44224.0000	5	Screw
27	43957.1000	1	Kit, CBA, Display 120-240V (H5 Element)
	43957.1002	1	Kit, CBA, Display 230V CE (H3A Element)
	43957.1003	1	Kit, CBA, Display 120V (H3 Element)
	44224.0000	4	Screw
	27088.0000	4	Washer, Nylon 6-32x.3750Dx.025

(Continued)

(Continued)



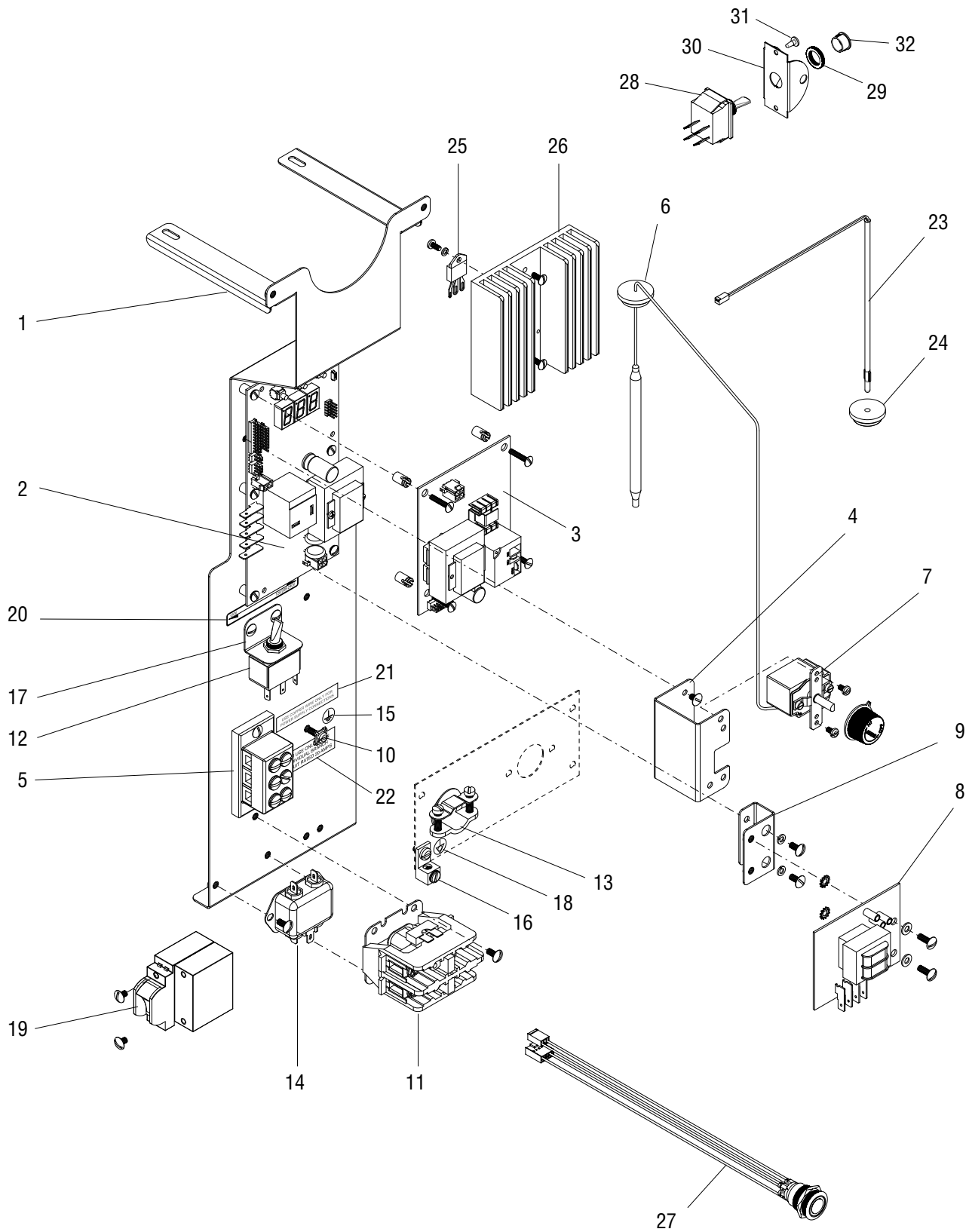


**EXTERIOR COMPONENTS  
DESCRIPTION**

ITEM	PART NO.	QTY.	DESCRIPTION
28	39148.0000	1	Shroud (PC)
	48890.0003	1	Shroud H3
	01303.0000	2	Screw, Pan Head #4 - 40 X .50"
	01315.0000	2	Screw, Truss Head #8 - 32 x .38"
	00970.0000	1	Nut, Keps #8 - 32
29	39146.0000	1	Bracket, Dispense Valve Support (PC)
		<b>1</b>	Bracket, Dispense Valve Support H3 Element <b>NOT AVAILABLE</b>
	01315.0000	2	Screw, Truss Head #8 - 32 x .38"
30	38278.1002	-	Edging, Adhesive Lined 36.0" (Cut to fit, 5") (PC)
31	40708.0000	1	Schematic, Electrical 120V H5E (w/ Digital Control Board)
	40710.0000	1	Schematic, Electrical 208-240V H5E (w/ Digital Control Board)
	40709.0000	1	Schematic, Electrical 120V H5X (w/ Digital Control Board)
	40711.0000	1	Schematic, Electrical 208-240V H5X (w/ Digital Control Board)
		1	Schematic, Electrical 240V (Dispensers W/Ready Light)
	40712.0000	1	Schematic, Electrical 230V H5EA, H5XA (w/ Digital Control Board)
	44657.0000	1	Schematic, Electrical 100V-240V H5 Element
	44657.0001	1	Schematic, Electrical 230V CE H5A Element
	44657.0002	1	Schematic, Electrical 230V CE H3A Element
	44657.0003	1	Schematic, Electrical 120V H3 Element
	39333.0000	1	Schematic, Electrical DV PC
	39333.0001	1	Schematic, Electrical 230V CE PC
	39333.0002	1	Schematic, Electrical 200V PC

**The following items are not illustrated**

32	48885.0001	1	Drip Tray H3 Element
	48885.0000	1	Cover, Drip Tray H3 Element

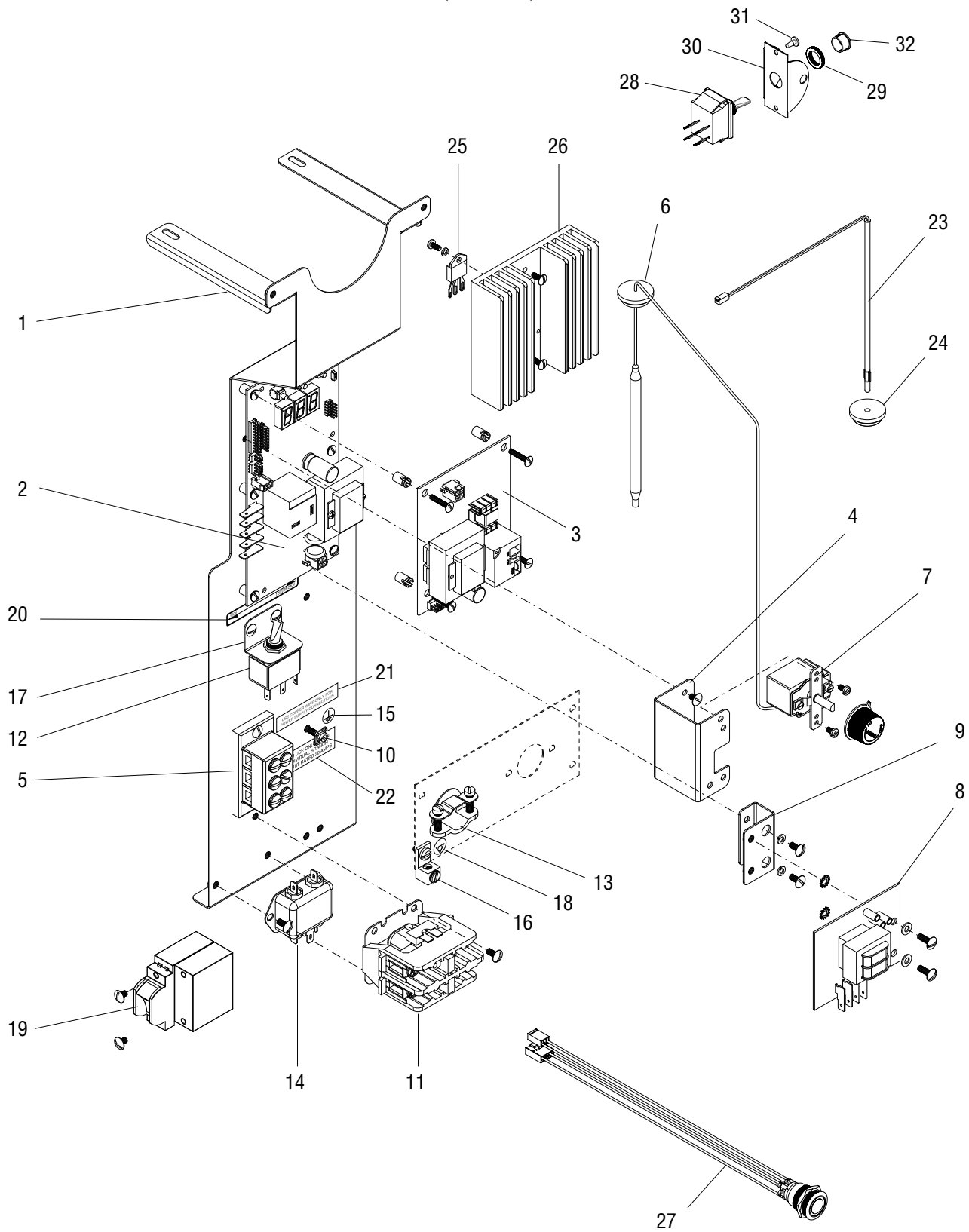


## ELECTRICAL COMPONENTS

ITEM	PART NO.	QTY.	DESCRIPTION
1		1	Bracket, Component Mounting (All H5) <b>NOT AVAILABLE</b>
		1	Bracket, Component Mounting (H3 Element) <b>NOT AVAILABLE</b>
2	40697.1000	1	Control Board, Digital 120V - 240V (H5E/X/PC)
	50652.1000	1	Control Board, Digital 230V CE (H5E/X/PC)
	41185.0000	1	Kit, Retrofit CBA, Digital 120V - 240V (H5E/X/PC)
	41185.0001	1	Kit, Retrofit CBA, Digital 230V CE (H5E/X/PC)
	01388.0000	6	Screw, Pan Head #8 - 32 x .25"
	29081.0000	6	Spacer
3	50550.1000	1	Kit, CBA Main 220-240V CE H3EA/H5EA/H5XEA Element Series
	43958.1000	1	Kit, CBA Main H3E/H5E/H5XE 120V-240V Element Series
	01388.0000	4	Screw, Pan Head #8 - 32 x .25"
	29081.0000	4	Spacer
4	28195.0001	1	Bracket, Thermostat Mounting (H5M Only)
	01311.0000	2	Screw, Truss Head #8-32 x .25"
5	01106.0000	1	Terminal Block, 2 Pole (White/Black) 100V-120V
	01106.0001	1	Terminal Block, 2 Pole (Red/Black) 208V-240V
	01106.0003	1	Terminal Block, 2 Pole (Blue/Brown) 230V CE
	07038.0000	1	Terminal Block, 3 Pole (Red/White/Black) DV
	01317.0000	2	Screw, Truss Head #8 - 32 x .50"
6	07073.1000	1	Kit, Grommet
7	03024.0005	1	Kit, Thermostat 120V-240V (H5M Only)
	01310.0000	2	Screw, Pan Head #6 - 32 x .25" (Mounting)
	01520.0000	2	Lockwasher, Split #6
	20762.0000	2	Screw, Binding Head #8-32 x .25" (Terminal)
	00720.0000	1	Knob, Thermostat
8	07074.1030	1	Control Board, Liquid Level 120V
	07074.1029	1	Control Board, Liquid Level 208-240V
	01311.0000	2	Screw, Truss Head #8 - 32 x .25"
	00970.0000	2	Nut, Keps #8 - 32
9	46360.0000	1	Bracket, Control Board Mounting
	01315.0000	2	Screw, Truss Head #8 - 32 X .375"
	01519.0000	2	Lockwashers
10	37804.0000	1	Ground Screw W/Terminal Washer #8 - 32 x .50"
11	06335.1000	1	Contactory Assy, 120V Coil
	06335.1002	1	Contactory Assy, 240V Coil
	27906.1000	1	Contactory Assy, 230V Coil
	01315.0000	2	Screw, Truss Head #8 - 32 X .375"

(Continued)

(Continued)

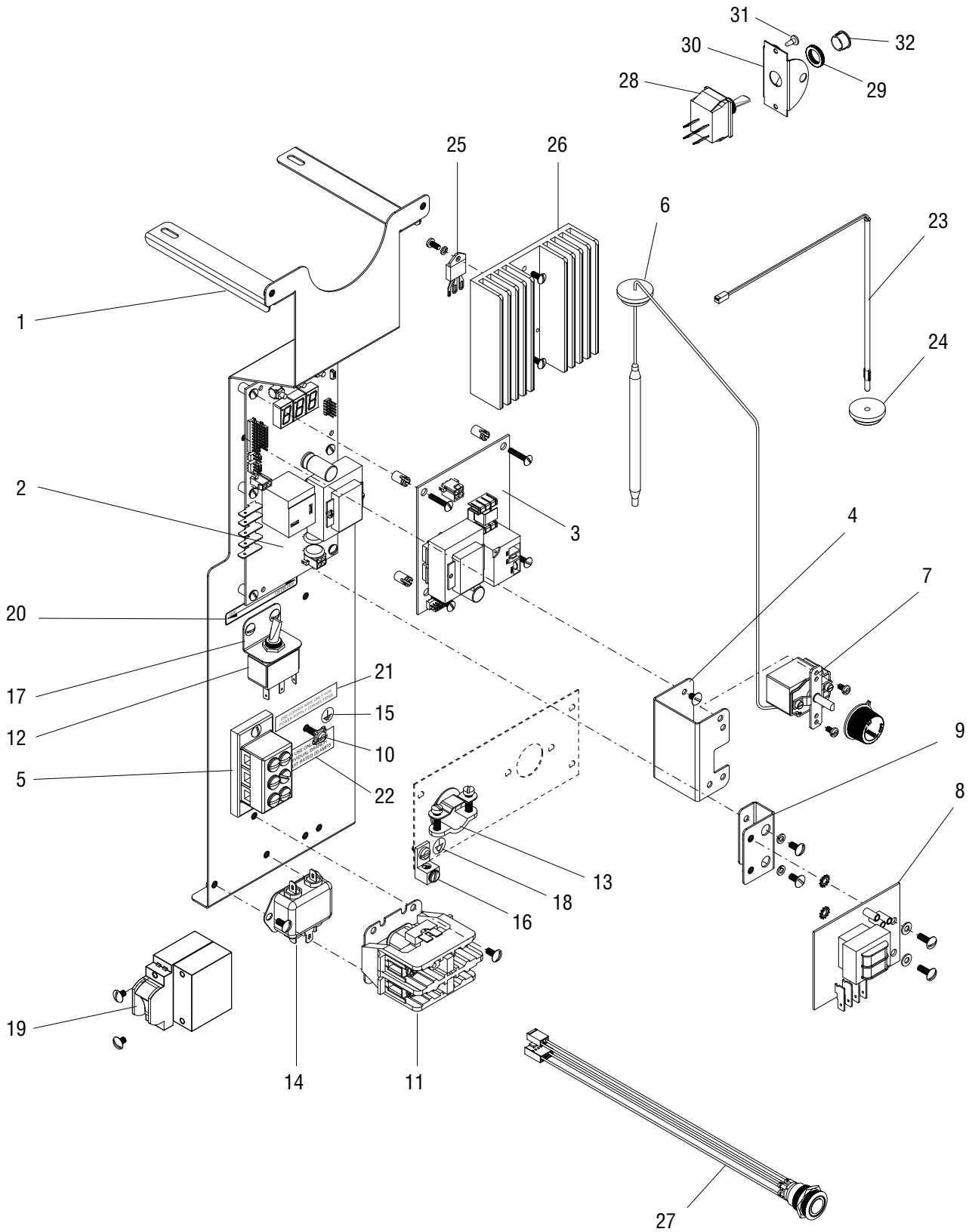


## ELECTRICAL COMPONENTS

ITEM	PART NO.	QTY.	DESCRIPTION
12	23522.1001	1	Switch, DV (Includes Mounting Nut)
	23696.0000	1	Nut, Mounting
13	32833.1000	1	Strain Relief (CE Models Only)
	01531.0000	1	Washer, Reducing
	01590.0000	1	Cable Connector (Except CE)
	48041.0000	1	Strain Relief (120V H3 Models Only)
14	29446.0000	1	EMI Filter H5A
	29446.0004	1	EMI Filter H3A
	01315.0000	2	Screw, Truss Head #8 - 32 X .375"
	34808.0002	1	Capacitor, (Quick Connect Style)
15	00824.0002	1	Decal, Ground
16	27705.0000	1	Terminal Lug
	01512.0000	1	Lockwasher, Ext. tooth #10
17	46130.0000	1	Bracket, Switch
18	00824.0001	1	Decal, Equipotentiality
19	38894.0001	1	Switch, Master ON/OFF H5
	01308.0002	2	Screw, Truss Head, Locking #6-32 x .25" (Mounting)
20	34056.0000	1	Decal, DV Switch
21	00870.0000	1	Decal, Use Copper Wire Only
22	00985.0000	1	Decal, Individual Circuit Info
23	12568.0007	1	Sensor, Temperature (All models except H5M)
24	12570.0000	1	Grommet, Thermostat (All models except H5M)
25	12565.0041	1	Triac, 230V (H3EA Element)
	12565.0042	1	Triac, 120V (H3E Element)
	02328.0003	1	Screw, 6-32 x .312"
	01520.0000	1	Lockwasher
	M2522.1000	-	Heat Sink Compound, 5oz Tube
26	20541.0001	1	Heat Sink
	01382.0007	2	Screws, 6-32 x .375"
27	50305.0000	1	Wiring Harness, Dispense Button w/switch (H3 Element)
28	28004.0000	1	Switch, Master ON/OFF H3EA Element
29	23697.0000	1	Face Nut, H3EA Element
30	25102.0001	1	Bracket, Switch H3EA Element

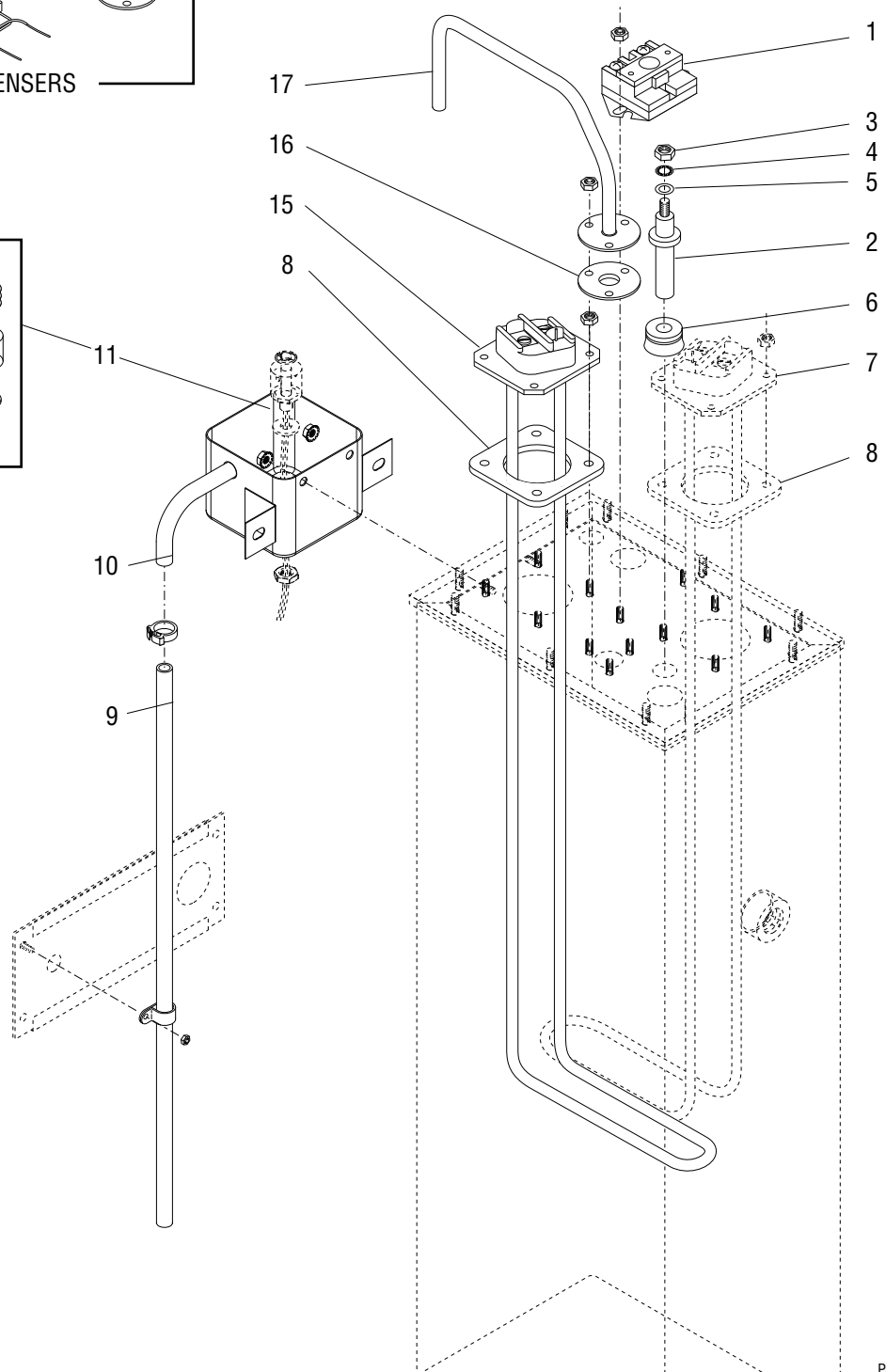
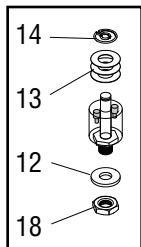
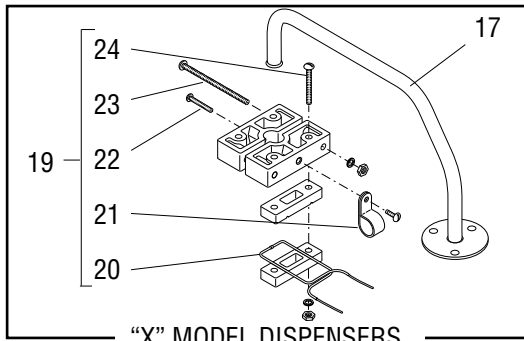
(Continued)

(Continued)



## ELECTRICAL COMPONENTS

ITEM	PART NO.	QTY.	DESCRIPTION
31	28098.0000	1	Fastener, H3EA/H3E Element
32	00669.0003	1	Hole Plug, H3E Element
<b>The following items are not illustrated</b>			
25	12522.0004	1	Wiring Harness, Main 120V (H5M)
	12529.0007	1	Wiring Harness, Main 240V (H5M)
	12529.0008	1	Wiring Harness, Main 230V CE (H5MA)
	12575.0004	1	Wiring Harness, 120V (H5E/X)
	12576.0013	1	Wiring Harness, 208-240V (H5E/X)
	12576.0002	1	Wiring Harness, 230V (H5E/X)
	12576.0006	1	Wiring Harness, Main 230V CE (PC)
	12576.0012	1	Wiring Harness, Main DV (PC)
	12576.0015	1	Wiring Harness, Main 200V (PC)
	12576.0008	1	Wiring Harness, Main 120V, 208V-240V (H5 Element)
	12576.0009	1	Wiring Harness, Main 230V CE (H5 Element)
	12576.0016	1	Wiring Harness, Main 230V CE (H3EA Element)
	12576.0018	1	Wiring Harness, Main 120V (H3E Element)
26	21014.0034	1	Lead Assy, 14AWG Blk 7.0" Tank Heater to Limit (120/240V)
	27945.0000	1	Lead, Thermal Cut-off, Blk 8.5" (230V)
27	38920.0000	1	Wiring Harness, Master Switch to Term Block (Black-Red)
	38920.0004	1	Wiring Harness, Master Switch to Term Block (Black-White)
	38920.0011	1	Wiring Harness, Master Switch to Term Block (Blue-Brown)
28	23799.0001	1	Power Cord (120V) (Models w/Factory Installed 15A Cord Only)
	01638.0000	1	Cord, Power 12/3 SJO-NEMA 5-20P (Models w/Factory Installed 20A Cord Only)
	28111.0006	1	Cord, Power 230V H3EA Element CE
	42749.0031	1	Cord, Power 230V H3EA Element Inmetro
	20630.0005	1	Cord, Power 120V H3E Element
29	39357.0000	1	Wiring Harness, Membrane Switch to Control Board (PC)
30	44821.0000	1	Wiring Harness, LL Probe/Gnd to CBA (H5 Element)
	44821.0001	1	Wiring Harness, LL Probe/Gnd to CBA (H3 Element)
31	44033.0000	1	Wiring Harness, Display CBA to Main CBA (H5 Element)
	44033.0001	1	Wiring Harness, Display CBA to Main CBA (H3 Element)
32	45288.0000	1	Wiring Harness, EMI to Main Switch
33	40717.0000	1	Lead, Contactor to Heater (Blue) (H5M)
34	40719.0000	1	Lead, Switch to Contactor (White/Violet) (H5M)
35	42095.0000	1	Wiring Harness, Contactor to Limit (H5M)
36	42096.0000	1	Wiring Harness, Limit to Heater (H5M)
37	38920.0012	1	Wiring Harness, Main Switch to Term Block (H3A Element Only)
38	50286.0000	1	Wiring Harness, Relay to Triac (H3 Element)

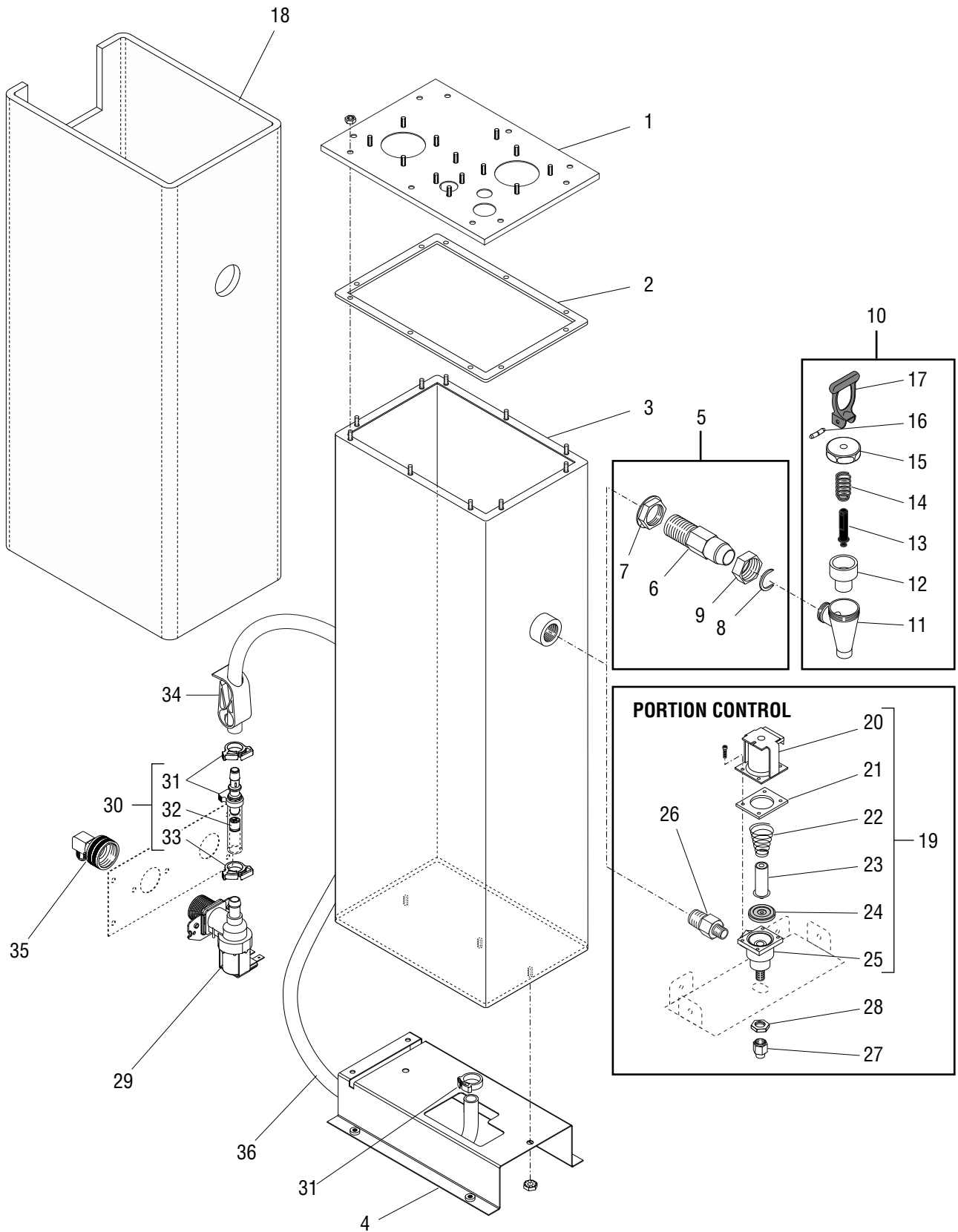




## TANK HEATER & SAFETY DEVICES

ITEM	PART NO.	QTY.	DESCRIPTION
1	23717.0003	1	Thermostat, Limit
	00908.0000	2	Nut, Hex #8 - 32
2	02645.1000	1	Probe Kit, Water Level (Includes items 3, 4, & 5)
3	00908.0000	1	Nut, Hex #8 - 32
4	20203.0100	1	Lockwasher, Internal Tooth #8
5	01501.0000	1	Washer .164" I.D. x .375" O.D.
6	38114.0000	1	Grommet, Silicone W/Flange
7	12524.1000	1	Tank Heater Kit 1800W 120V (DUAL VOLT ONLY) Includes item 8
	00908.0000	4	Nut, Hex #8 - 32
8	12398.0000	2	Gasket, Tank Heater
9	03236.1001	-	Tube, Silicone .312" I.D. x 36.0"
10	22728.0000	1	Overflow Cup Assy (Service replacement for both Aluminum and Copper cups)
	00971.0000	2	Nut, Keps #10 - 32
11	03803.0002	1	Switch Assy, Liquid Level 120V (Includes items 12, 13 & 14) with Termianals
12	03633.0000	2	Gasket, Float Switch (Only 1 used in this application)
13		3	Washer, Adjusting (DO NOT USE IN THIS APPLICATION)
14	03807.0000	1	Clip, Spring
15	12524.1000	1	Tank Heater Kit 1800W 120V
	12322.1000	1	Tank Heater Kit 4000W 240V & 230V
	12305.1000	1	Tank Heater Kit 4000W 208V
	12453.1000	1	Tank Heater Kit 6000W 240V
	12452.1000	1	Tank Heater Kit 6000W 208V
	20922.1003	1	Tank Heater Kit 3700W 208V (Used in 200V Models)
	29669.1000	1	Tank Heater Kit 3000W 240V CE H3EA Element
	29669.1000	1	Tank Heater Kit 1680W 120V H3E Element
	00908.0000	4	Nut, Hex #8 - 32
16	05515.0000	1	Gasket
17	12518.0000	1	Tube, Overflow
	12585.0000	1	Tube, Overflow ("X" Model Dispensers)
	00908.0000	3	Nut, Hex #8 - 32
18	00946.0000	1	Nut, Hex .125" FPT
19	12586.0000	1	Thermistor Assy (Includes items 20 thru 24) ("X" Model Dispensers only)
20	12551.0000	1	Thermistor
21	41760.0000	1	Clamp, Thermistor
	01382.0000	1	Screw, Truss Head #6 - 32 x .38"
22	01388.0000	1	Screw, Truss Head #6 - 32 X .75"
23	02370.0002	2	Screw, Pan Head #6 - 32 x 2.0"
	01520.0000	2	Lockwasher, Split #6
	00906.0000	2	Nut #6 - 32
24	02370.0001	2	Screw, Pan Head #6 - 32 x 1.25"
	01520.0000	2	Lockwasher, Split #6
	00906.0000	2	Nut #6 - 32

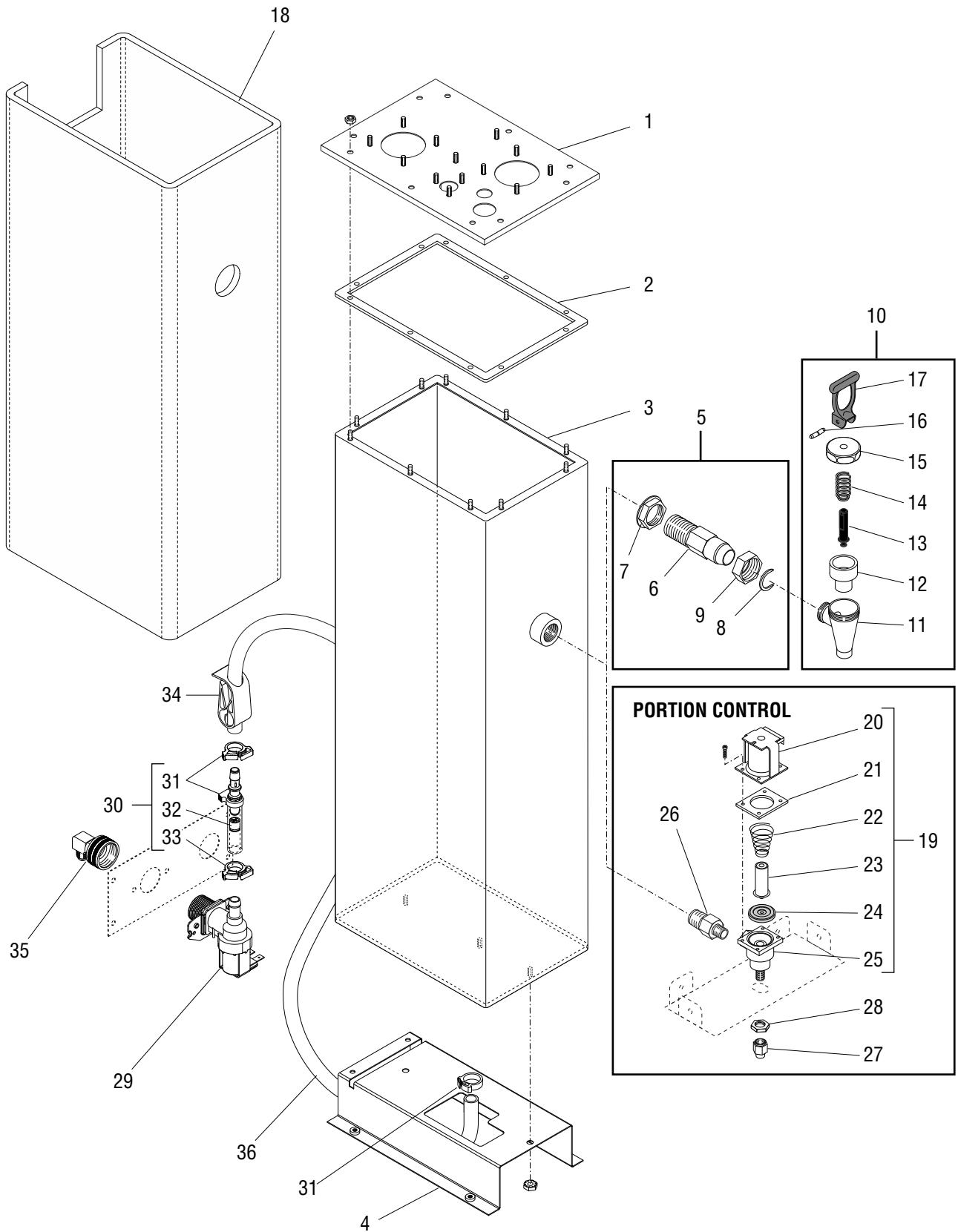
Heater kits  
include item 8



TANK, INLET & DISPENSE			
ITEM	PART NO.	QTY.	DESCRIPTION
1	25922.0003	1	Lid, Tank (Single Heater)
	25922.0004	1	Lid, Tank - (Dual Heater)
	00906.0000	10	Nut #6 - 32
2	12377.0000	1	Gasket, Tank lid
3	25920.1010	1	Tank - Flanged bottom
4	12514.0005	1	Bracket, Tank Mounting
	00971.0000	1	Nut, Keps #10 - 32
5	07061.0001	1	Faucet Shank Assy (Includes items 6 thru 9)
6		1	Faucet Shank Body (Not available order item 5)
7	07119.0000	1	Faucet Shank Nut
8	01221.0000	1	Faucet Shank C-Ring
9	01268.0000	1	Faucet Union Nut
10	07094.0001	1	Faucet Assy (Includes items 11 thru 17)
11		1	Faucet Body (Not available order item 10)
12	00600.0001	1	Faucet Seat Cup
13	35271.0001	1	Faucet Stem
14	00601.0000	1	Faucet Spring
15	07127.0003	1	Faucet Bonnet Nut
16	01219.0000	1	Faucet Handle Pin
17	07244.0000	1	Faucet Handle
18	44223.1000	1	Kit, Tank Insulation
19	26846.0000	1	Valve Assy, 120V
	26846.0001	1	Valve Assy, 200V
	26846.0002	1	Valve Assy, 240V
	34202.0001	1	Valve Assy, 230V H3EA Element
	39285.0001	1	Valve Assy, 120V H3E Element
20	22305.0000	1	Coil Assy, 120V
	22305.0002	1	Coil Assy, 230V
	23254.0000	4	Screw, #8 - 32
21	23256.0000	1	Spacer Plate
22		1	Spring (Not available order item 19)

(Continued)

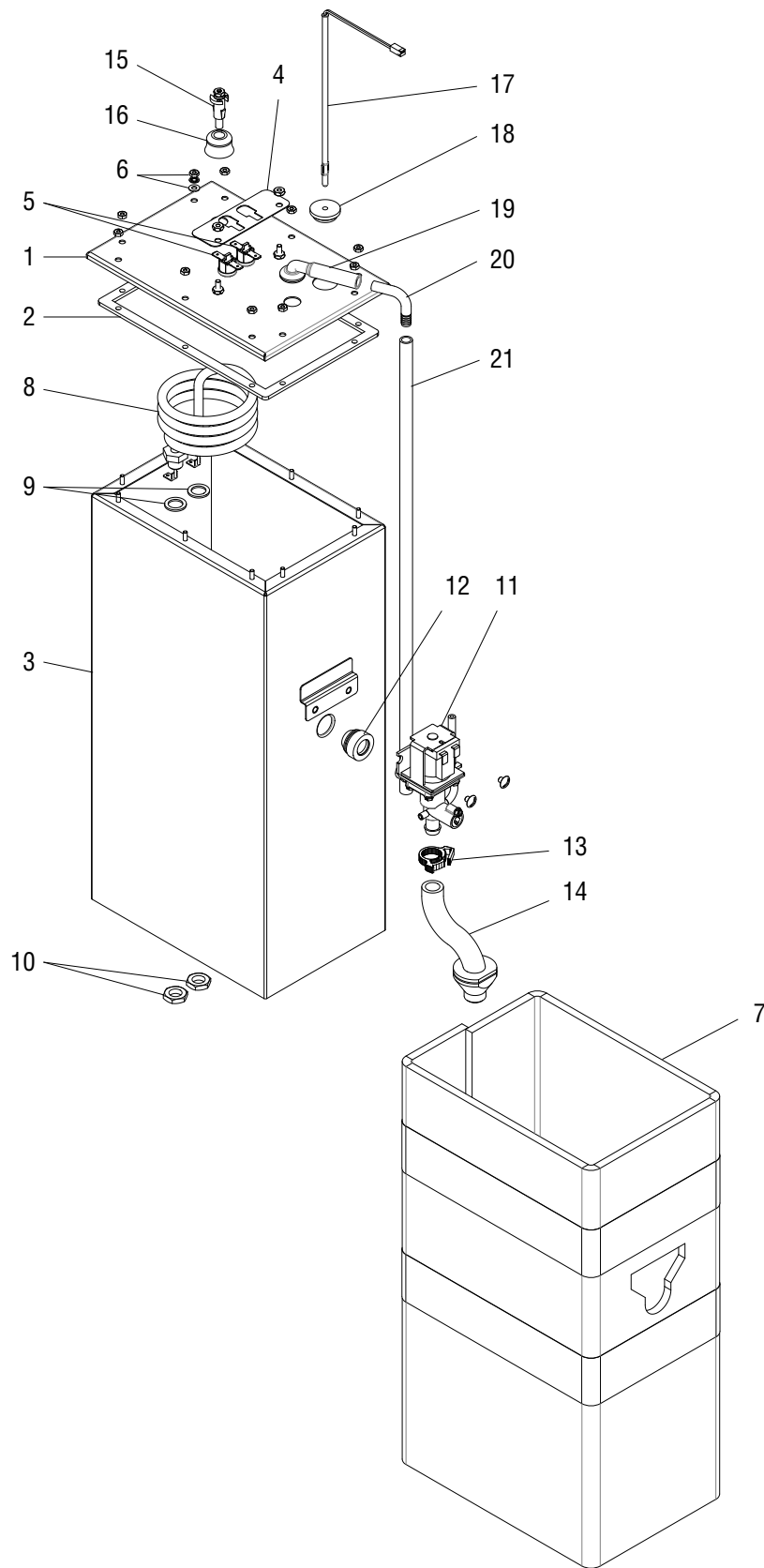
(Continued)



ITEM	PART NO.	QTY.	TANK, INLET & DISPENSE DESCRIPTION
23		1	Plunger (Not available order item 19)
24	23255.0000	1	Diaphragm
25		1	Body (Not available order item 19)
26	39222.0000	1	Fitting, .5" NPTF x .25" NPTF
27	00924.0000	1	Nut, Flare Chrome Plated .25"
28	01075.0000	1	Nut, .438"-20
29	40506.0016	1	Valve Assy, Inlet 120V
	40506.0015	1	Valve Assy, Inlet 240V
	40506.0017	1	Valve Assy, Inlet 230V CE
	40506.0018	1	Valve Assy, Inlet 200V
	40506.0019	1	Valve Assy, Inlet 230V CE H3EA Element
	40506.0021	1	Valve Assy, Inlet 120V H3E Element
	32283.0000	2	Screw, Pan Head M4 x 6mm
	46884.0000	1	Strainer
30	41716.1004	1	Tube Assembly w/Check Valve
31	12422.0001	3	Clamp, SNP-10
32	36378.0001	1	Check Valve
33	12422.0005	1	Clamp, SNP-12
34	11630.0001	1	Clamp, Shut Off
35	37297.1006	1	Elbow .25" Flare x .75" FTHD
36		1	Tube, Silicone .375" ID X 30" (Not Available, Order # 39)

**The following items are not illustrated**

37	28710.0000	-	Faucet Repair Kit (Includes items 12,13,14 & 17)
38	11517.0008	-	Repair Kit, Dispense Valve (Includes one each of spring, plunger and diaphragm)
39	20976.1001	-	Tube, .375" ID x 3' (Use as required)
	20976.1002	-	Tube, .375" ID x 10' (Use as required)
	20976.1004	-	Tube, .375" ID x 250' (Use as required)

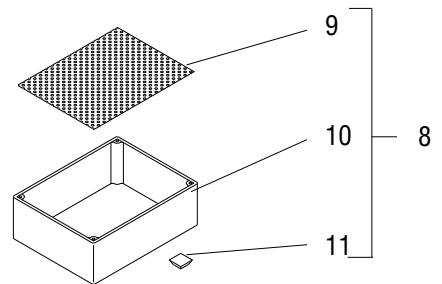
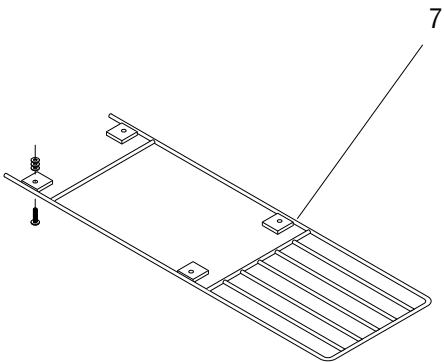
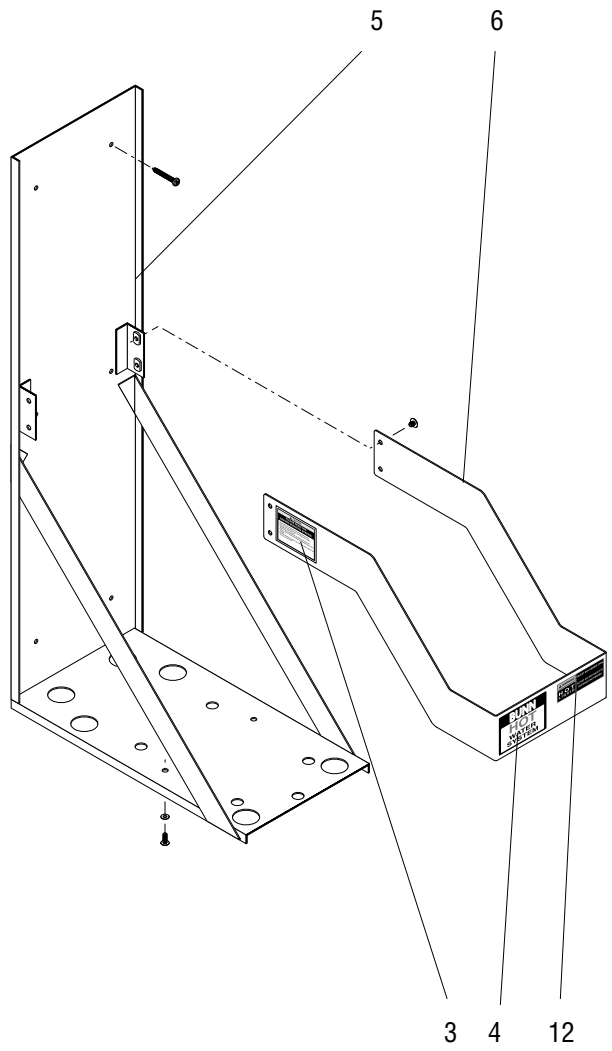
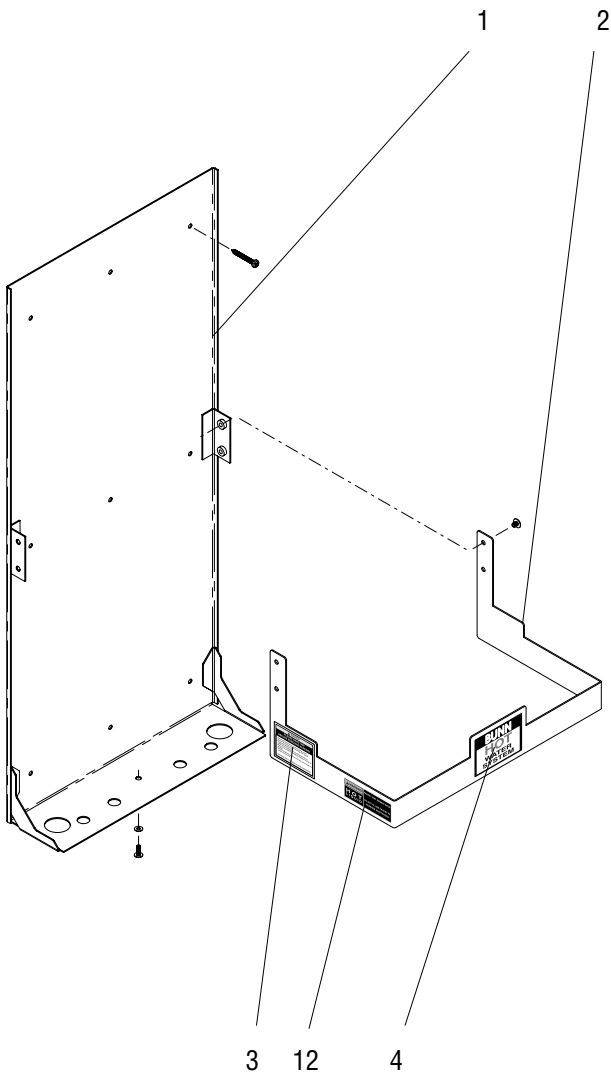


**TANK, INLET & DISPENSE H3 ONLY**

ITEM	PART NO.	QTY.	DESCRIPTION
1	48883.0001	1	Lid, Tank
2	12377.0000	1	Gasket, Tank lid
3	49639.0000	1	Tank
4	46043.0000	1	Bracket, Dual Thermostat
	00908.0000	4	Nut, Hex #8 - 32
5	50291.0000	2	Thermostat, Limit Manual Reset (H3EA Only) Shown
	29329.1001	2	Thermostat, Limit Auto Reset H3E
6	00906.0000	10	Nut #6 - 32
	20203.0100	1	Lock Washer
	01501.0000	1	Flat Washer
7	44223.0001	1	Insulation, Tank
8	02755.1003	1	Heater 1680W 120V (Includes gaskets)
	29669.1000	1	Heater 3000W 240V (Includes gaskets)
9	00943.0000	2	Gasket, Heater
10	00942.0000	2	Nut, Heater
11	39285.1001	1	Dispense Valve 120V
	34202.0001	1	Dispense Valve 230V
	01326.0000	2	Screws, TRH SLTD SST 10-32 x 1/4"
12	37970.0000	1	Grommet
13	12422.0009	1	Clamp, SNP-14
14	50094.0000	1	Tube, Dispense
15	07412.1003	1	Level Probe
16	38114.0000	1	Grommet
17	12568.0007	1	Temp Probe
18	12570.0000	1	Grommet
19	38969.0001	1	Fitting, 90°
20	34282.0000	1	Elbow, SST
21		1	Tube, Silicone 5/16 x 20" (Not available, order # 22, cut as needed)

**The following items are not illustrated**

22	03236.1001	-	Tube, Silicone 5/16 x 3'
	03236.1002	-	Tube, Silicone 5/16 x 10'
	03236.1003	-	Tube, Silicone 5/16 x 5'





## WALL BRACKETS, DRIP TRAY & WIRE SHELF

ITEM	PART NO.	QTY.	DESCRIPTION
1		1	Wall Bracket, Side Mounting (See Sales Manual for Wall Bracket Kit)
	02334.0000	6	Screw, Pan Head Phillips #10 x 1.50"
	01501.0000	1	Washer .164" I.D. x .375" O.D.
	01317.0000	1	Screw, Truss-hd #8-32 x .50"
2	12549.1001	1	Support Strap W/Decals (Includes items 3, 4 & 12)
	01326.0000	4	Screw, Truss Head #10 - 32 x .25"
3	12556.0000	2	Decal, Caution Dispenser Removal
4	00657.0002	1	Decal, Bunn Hot Water
5		1	Wall Bracket, Front Mounting (See Sales Manual for Wall Bracket Kit)
	02334.0000	6	Screw, Pan Head Phillips #10 x 1.50"
	01501.0000	2	Washer .164" I.D. x .375" O.D.
	01317.0000	2	Screw, Truss-hd #8-32 x .50"
6	13127.1001	1	Support Strap W/Decals (Includes items 3, 4 & 12)
	01326.0000	4	Screw, Truss Head #10 - 32 x .25"
7	12599.0000	1	Wire Shelf Kit (Includes mounting hardware)
	01503.0000	12	Washer, Flat .25" I.D. x .56" O.D. (Use as required)
	01370.0000	4	Screw, Pan Head #8 - 32 x .75"
8	02497.0000	1	Drip Tray Assy (Includes items 9 thru 11)
9	02546.0000	1	Cover, Drip Tray
10	02545.0000	1	Drip Tray
11	02547.0000	4	Foot, Rubber
12	12538.0000	1	Decal, Caution - Hot Liquid

## NUMERICAL INDEX

PART NO.	PAGE NO.	PART NO.	PAGE NO.	PART NO.	PAGE NO.	PART NO.	PAGE NO.
00600.0001	19	02546.0000	25	12509.0003	5	23256.0000	19
00601.0000	19	02547.0000	25	12510.1001	7	23522.1001	13
00603.0000	7	02645.1000	17	12510.1002	7	23533.0001	7
00656.0001	5	02755.1003	23	12510.1003	7	23534.0000	5
00657.0002	25	03024.0005	11	12510.1004	7	23696.0000	13
00669.0003	15	03236.1001	17,23	12514.0005	19	23697.0000	13
00720.0000	11	03236.1002	23	12517.0001	7	23717.0003	17
00731.0000	5	03236.1003	23	12518.0000	17	23799.0001	15
00824.0001	13	03633.0000	17	12522.0004	15	25102.0001	13
00824.0002	13	03803.0002	17	12524.1000	17	25151.0000	7
00831.0000	7	03807.0000	17	12529.0007	15	25292.0000	7
00870.0000	13	04243.0000	7	12529.0008	15	25920.1010	19
00906.0000	17,19,23	05515.0000	17	12538.0000	25	25922.0003	19
00908.0000	17,23	06335.1000	11	12549.1001	25	25922.0004	19
00917.0000	7	06335.1002	11	12551.0000	17	26846.0000	19
00924.0000	21	07038.0000	11	12556.0000	25	26846.0001	19
00942.0000	23	07061.0001	19	12565.0041	13	26846.0002	19
00943.0000	23	07073.1000	11	12565.0042	13	27088.0000	7
00946.0000	17	07074.1030	11	12568.0007	13,23	27353.0000	5
00970.0000	9,11	07074.1029	11	12570.0000	13	27705.0000	13
00971.0000	17,19	07094.0001	19	12570.0000	23	27906.1000	11
00985.0000	13	07119.0000	19	12575.0004	15	27945.0000	15
01075.0000	21	07127.0003	19	12576.0002	15	28004.0000	13
01106.0000	11	07244.0000	19	12576.0006	15	28098.0000	15
01106.0001	11	07412.1003	23	12576.0008	15	28111.0006	15
01106.0003	11	11517.0008	21	12576.0009	15	28195.0001	11
01219.0000	19	11630.0001	21	12576.0012	15	28710.0000	21
01221.0000	19	12305.1000	17	12576.0013	15	29081.0000	11
01268.0000	19	12322.1000	17	12576.0015	15	29329.1001	23
01303.0000	5,9	12377.0000	19,23	12576.0016	15	29446.0000	13
01308.0002	13	12398.0000	17	12576.0018	15	29446.0004	13
01310.0000	11	12422.0001	21	12585.0000	17	29669.1000	17,23
01311.0000	5,11,7	12422.0005	21	12586.0000	17	29710.0017	7
01315.0000	5,7,9,11,13	12422.0009	23	12593.0000	5	29710.0018	7
01317.0000	11,25	12452.1000	17	12599.0000	25	32283.0000	21
01326.0000	23,25	12453.1000	17	13127.1001	25	32833.1000	13
01370.0000	25	12503.0032	5	20203.0100	17,23	34056.0000	13
01382.0000	17	12503.1005	5	20541.0001	13	34130.0000	7
01382.0007	13	12505.1004	5	20630.0005	15	34202.0001	19,23
01388.0000	11,17	12505.1005	5	20749.0000	7	34282.0000	23
01390.0000	5	12505.1006	5	20762.0000	11	34808.0002	13
01501.0000	17,23,25	12505.1007	5	20922.1003	17	35271.0001	19
01503.0000	25	12505.1008	5	20976.1001	21	36378.0001	21
01512.0000	13	12505.1009	5	20976.1002	21	37297.1006	21
01519.0000	11	12506.1002	5	20976.1004	21	37804.0000	11
01520.0000	11,13,17	12506.1003	5	21014.0034	15	37881.0000	7
01531.0000	13	12506.1004	5	21031.0000	7	37970.0000	23
01570.0000	7	12506.1005	5	21031.0001	7	38114.0000	17,23
01590.0000	13	12507.0001	5	21033.0000	7	38278.1002	9
01638.0000	15	12507.0007	5	21033.0001	7	38894.0001	13
02328.0003	13	12507.1003	5	21112.1000	7	38920.0000	15
02334.0000	25	12507.1004	5	22305.0000	19	38920.0004	15
02370.0001	17	12507.1005	5	22305.0002	19	38920.0011	15
02370.0002	17	12507.1006	5	22728.0000	17	38920.0012	15
02497.0000	25	12509.0000	5	23254.0000	19	38969.0001	23
02545.0000	25	12509.0002	5	23255.0000	21	39146.0000	9

## NUMERICAL INDEX

PART NO.	PAGE NO.	PART NO.	PAGE NO.	PART NO.	PAGE NO.	PART NO.	PAGE NO.
39148.0000.....	9	48041.0000.....	13				
39168.0000.....	7	48883.0001.....	23				
39222.0000.....	21	48885.0001.....	9				
39285.0001.....	19	48885.0000.....	9				
39285.1001.....	23	48890.0003.....	9				
39333.0000.....	9	49639.0000.....	23				
39333.0001.....	9	49749.0000.....	7				
39333.0002.....	9	50094.0000.....	23				
39357.0000.....	15	50286.0000.....	15				
40506.0015.....	21	50291.0000.....	23				
40506.0016.....	21	50305.0000.....	13				
40506.0017.....	21	50550.1000.....	11				
40506.0018.....	21	50652.1000.....	11				
40506.0019.....	21	M2522.100 .....	13				
40506.0021.....	21						
40697.1000.....	11						
40708.0000.....	9						
40710.0000.....	9						
40709.0000.....	9						
40711.0000.....	9						
40712.0000.....	9						
40717.0000.....	15						
40719.0000.....	15						
41185.0000.....	11						
41185.0001.....	11						
41716.1004.....	21						
41760.0000.....	17						
42095.0000.....	15						
42096.0000.....	15						
42749.0031.....	15						
43957.1000.....	7						
43957.1002.....	7						
43957.1003.....	7						
43958.1000.....	11						
44024.1001.....	7						
44224.0000.....	7						
44025.0000.....	7						
44025.0002.....	7						
44033.0000.....	15						
44033.0001.....	15						
44222.0000.....	7						
44223.0001.....	23						
44223.1000.....	19						
44657.0000.....	9						
44657.0001.....	9						
44657.0002.....	9						
44657.0003.....	9						
44821.0000.....	15						
44821.0001.....	15						
44824.0000.....	7						
45288.0000.....	15						
46043.0000.....	23						
46130.0000.....	13						
46360.0000.....	11						
46884.0000.....	21						
47575.1000.....	7						
47575.1001.....	7						