



HOSHIZAKI

Parts List

Condensing Unit
Serenity Series

Models
SRK-8H/3



hoshizakiamerica.com

Number: 71325
Issued: 5-17-2011
Revised: 5-5-2016

CONTENTS

Auxiliary Codes.....	3
Note About Ordering Parts	3
A. Main Assembly & Refrigeration Circuit	4
B. Control Box Assembly.....	6
C. Accessories & Labels	7

Auxiliary Codes

SRK-8H	A-0	March 2011
	A-1	June 2011
	B-0	May 2012
	C-0	April 2013
	C-1	September 2013
	D-0	April 2014
	E-0	January 2015
F-0	March 2016	
SRK-8H3	A-1	May 2011
	D-0	February 2014

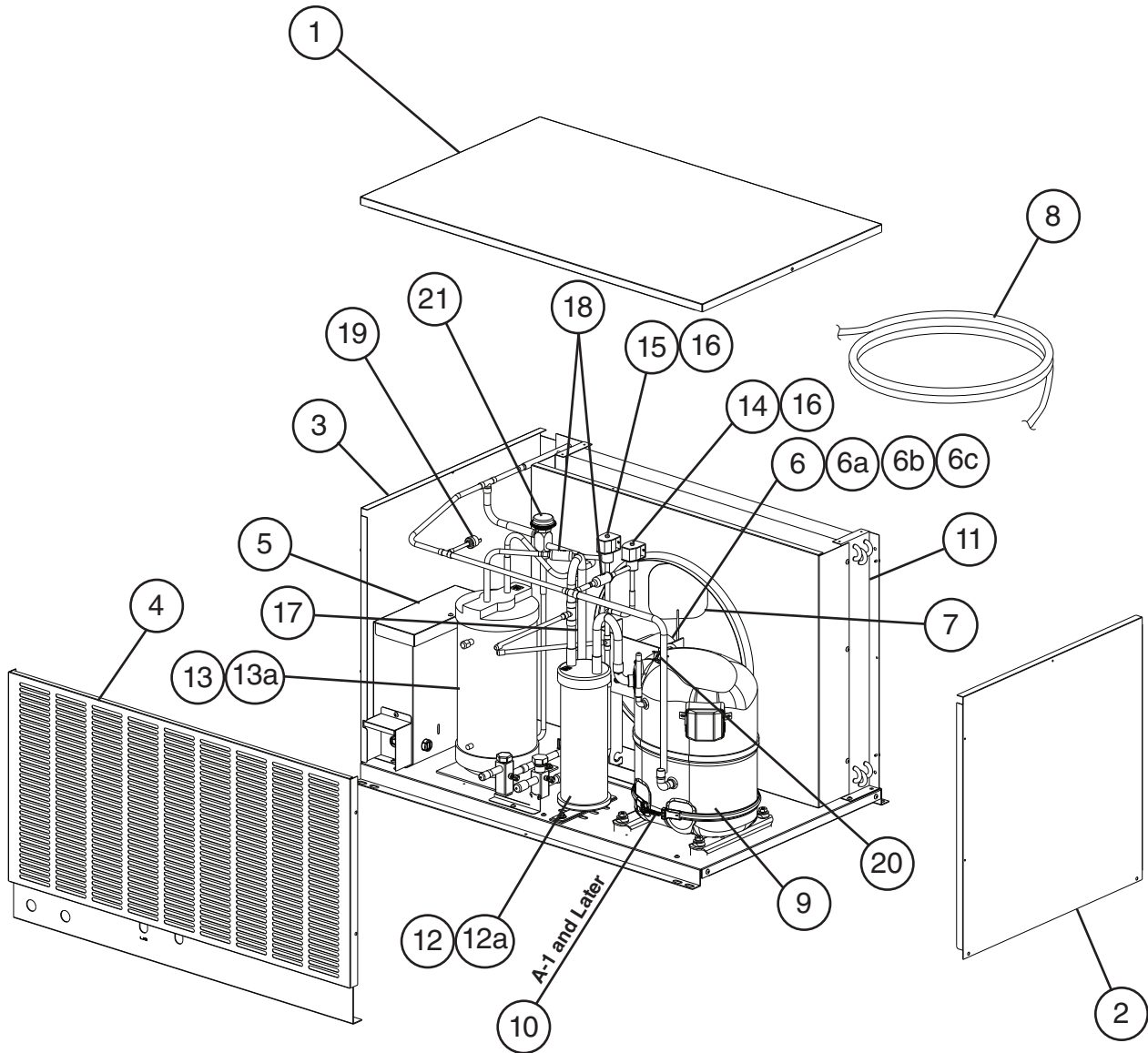
Auxiliary Code Breakdown

The auxiliary code is the first two characters in the serial number. The first character indicates the year. Years progress or regress in alphabetical order. The series runs from "A" through "V" and the letters "I" and "O" are skipped. The second character indicates significant part changes within a year. Base is "0" and this number advances for each change. In cases where there is a letter in parentheses, this designates the month. This is the last character in the serial number. The series runs from "(A)" through "(M)" and the letter "(I)" is skipped. This designation is only included when identifying a parts change within an auxiliary code.

Note About Ordering Parts

Most assemblies cannot be ordered as complete units; parts in the assemblies generally must be ordered separately.

A. Main Assembly & Refrigeration Circuit
SRK-8H/3
 A-0 to F-0

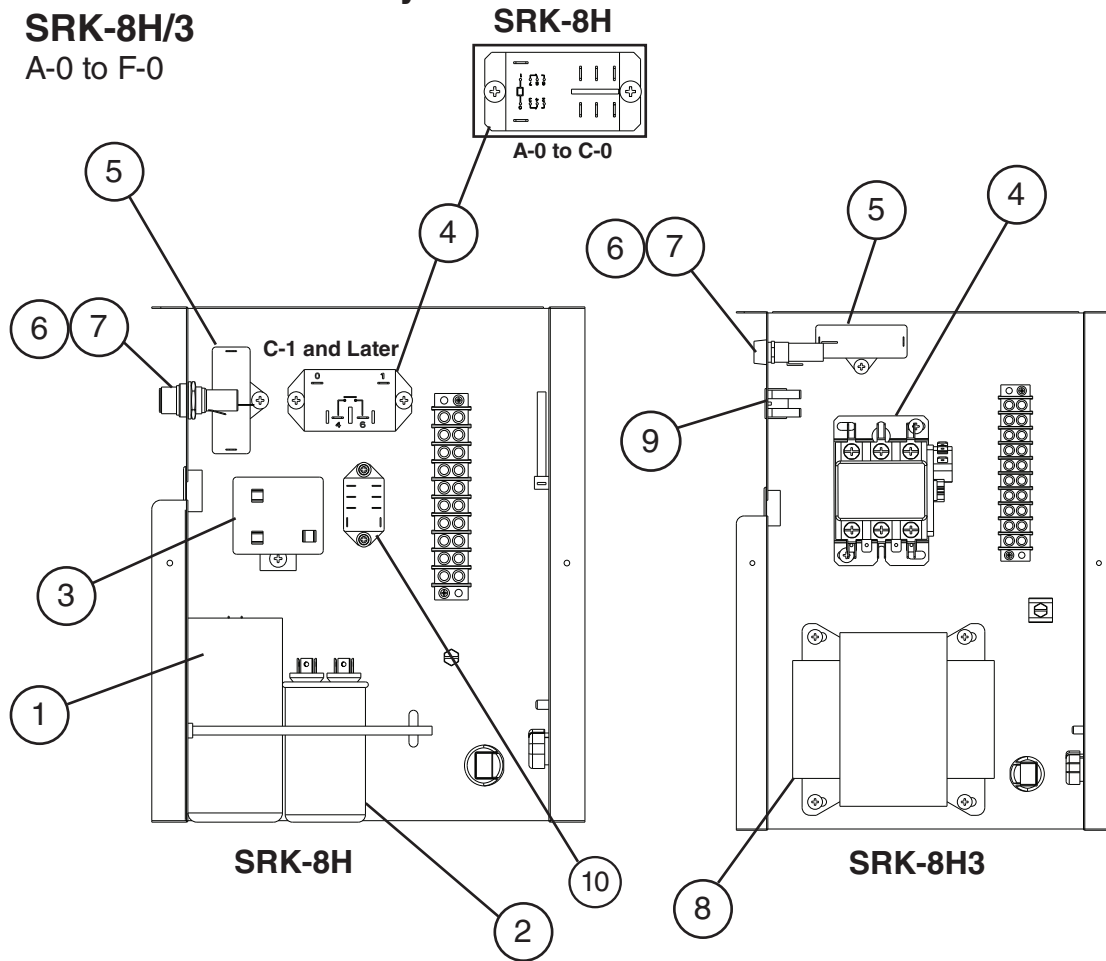


Title: A.Main Assembly & Refrigeration Circuit Model: SRK-8H/3												
Index No.	Description	Material or Model Number	Part Number	Required Number								
				A-0	A-1 to F-0							
Main Assembly												
1	Top Panel		2A6248-01	1	1							
2	Right Side Panel		2A6245-01	1	1							
3	Left Side Panel		2A6246-01	1	1							
4	Louver Panel		2A6247-01	1	1							
5	Control Box Cover	SRK-8H	3A6387-01	1	1							
		SRK-8H3	3A6459-01	1	1							
6	Fan Motor q		4A3201-01	1	1							
6a	Split Lock Washer		7L2110800	4	4							
6b	Flat Washer		7W2110800	4	4							
6c	Hex Nut		7N0110832	4	4							
7	Fan Blade		4A1493-01	1	1							
8	Wire Harness		4A5657-02	1	1							
Refrigeration Circuit												
9	Compressor (A-1 and later utilize external crankcase heater - item 10)	SRK-8H	4A1539-02	1	-							
			4A1539-03		1							
		SRK-8H3	4A5339-01	1	1							
10	Crankcase Heater		4A5397-02		1							
11	Condenser		1A1231-01	1	1							
12	Accumulator		3A4276-01	1	1							
12a	Bolt	5x12	7B0230512	2	2							
13	Receiver		438209-01	1	1							
13a	Bolt	5x12	7B0230512	3	3							
14	Hot Gas Valve Body		4A3978-01	1	1							
15	Liquid Line Valve Body		4A3276-01	1	1							
16	Valve Coil		4A3277-01	2	2							
17	Check Valve		4A1373-01	1	1							
18	Strainer		441569-02	2	2							
19	High-Pressure Switch		463180-01	1	1							
20	Discharge Line Thermostat		440664-01	1	1							
21	Headmaster (Condenser Pressure Regulator C.P.R)		4A0229-02	1	1							

B. Control Box Assembly

SRK-8H/3

A-0 to F-0

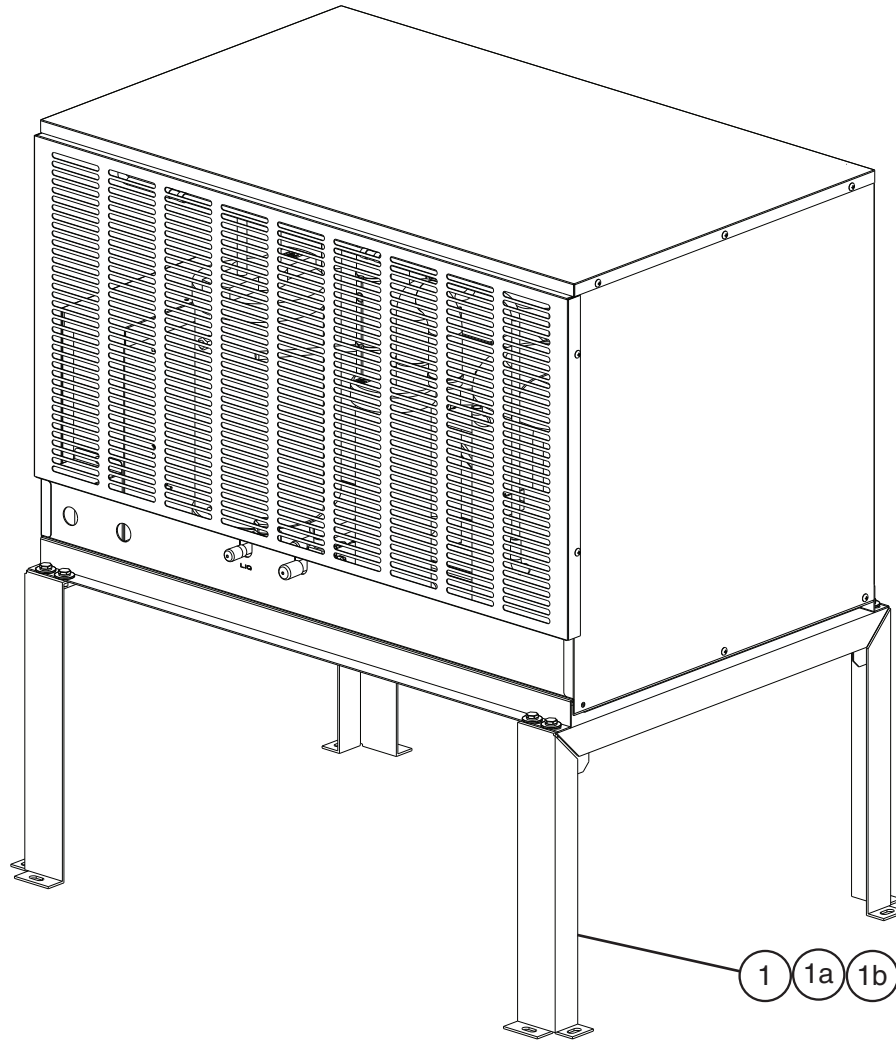


Title: B. Control Box Assembly Model: SRK-8H/3				Required Number								
Index No.	Description	Material or Model Number	Part Number	A-0 to C-0	C-1 to D-0 (L)	D-0 (M) to F-0						
				1	Start Capacitor	SRK-8H 145-174MFD, 220VAC	3A0076-11	1	1	1		
2	Run Capacitor	SRK-8H 30MFD, 370VAC	3A2005-03	1	1	1						
3	Start Relay	SRK-8H	4A1107-13	1	1	1						
4	Compressor Relay	SRK-8H	4A5096-01	1	-							
	Magnetic Contactor	SRK8H3	4A0794-01	1	1	1						
5	Fan Motor Capacitor	10MFD, 250VAC	443192-01	1	1	1						
6	Fuse Holder		4A5443-01	1	1	1						
7	Fuse	AGC-10A, 250VAC	4A0893-07	1	1	1						
8	Main Transformer	SRK-8H3	4A0817-01	1	1							
9	Voltage Tap Switch	SRK-8H3	4A1477-01	1	1							
10	Crankcase Heater Relay	SRK-8H	406132-07			1						

C. Accessories & Labels

SRK-8H/3

A-0 to F-0



Title: C. Accessories & Labels		Model: SRK-8H/3		Required Number								
Index No.	Description	Material or Model Number	Part Number	A-0 to F-0								
1	Leg		2A3166G01	2								
1a	Hex Head Bolt w/Washer	8x16, SS	7B0230816	8								
1b	Hex Nut	M8, SS	7N12-0800	8								