

Hoshizaki America, Inc.

Crescent Cube Icemaker/Dispenser

Models

DKM-500BAH, BWH



"A Superior Degree
of Reliability"

www.hoshizaki.com

PARTS LIST



Number: 71253
Issued: 11-2-2001
Revised: 3-8-2016

CONTENTS

Auxiliary Codes.....	3
Note About Ordering Parts	3
A. Main Assembly	4
DKM-500BAH.....	4
DKM-500BWH.....	6
B. Refrigeration Circuit.....	8
C. Water Circuit	13
D. Control Box Assembly.....	15
E. Bin Assembly	17
F. Mechanism Assembly	19
G. Solenoid Assembly.....	21
H. Accessories & Labels.....	23

Auxiliary Codes

DKM-500BAH

R-0	January 2006
R-1	April 2006
S-0	January 2007
S-1	May 2007
T-0	March 2008
T-1	July 2008
U-0	January 2009
U-1	October 2009
V-0	January 2010
V-5	February 2010
V-6	July 2010
V-7	August 2010
A-5	February 2011
A-6	March 2011
C-0	October 2013
D-0	January 2014
D-1	November 2014
E-0	January 2015
E-1	October 2015
F-0	January 2016

DKM-500BWH

T-0	February 2008
T-1	August 2008
U-0	January 2009
U-1	August 2009
V-0	January 2010
V-5	February 2010
V-6	July 2010
V-7	October 2010
A-5	January 2011
A-6	March 2011
B-5	March 2012
C-0	February 2013
C-1	November 2013
D-0	March 2014
D-1	November 2014
E-0	January 2015
E-1	October 2015
F-0	January 2016

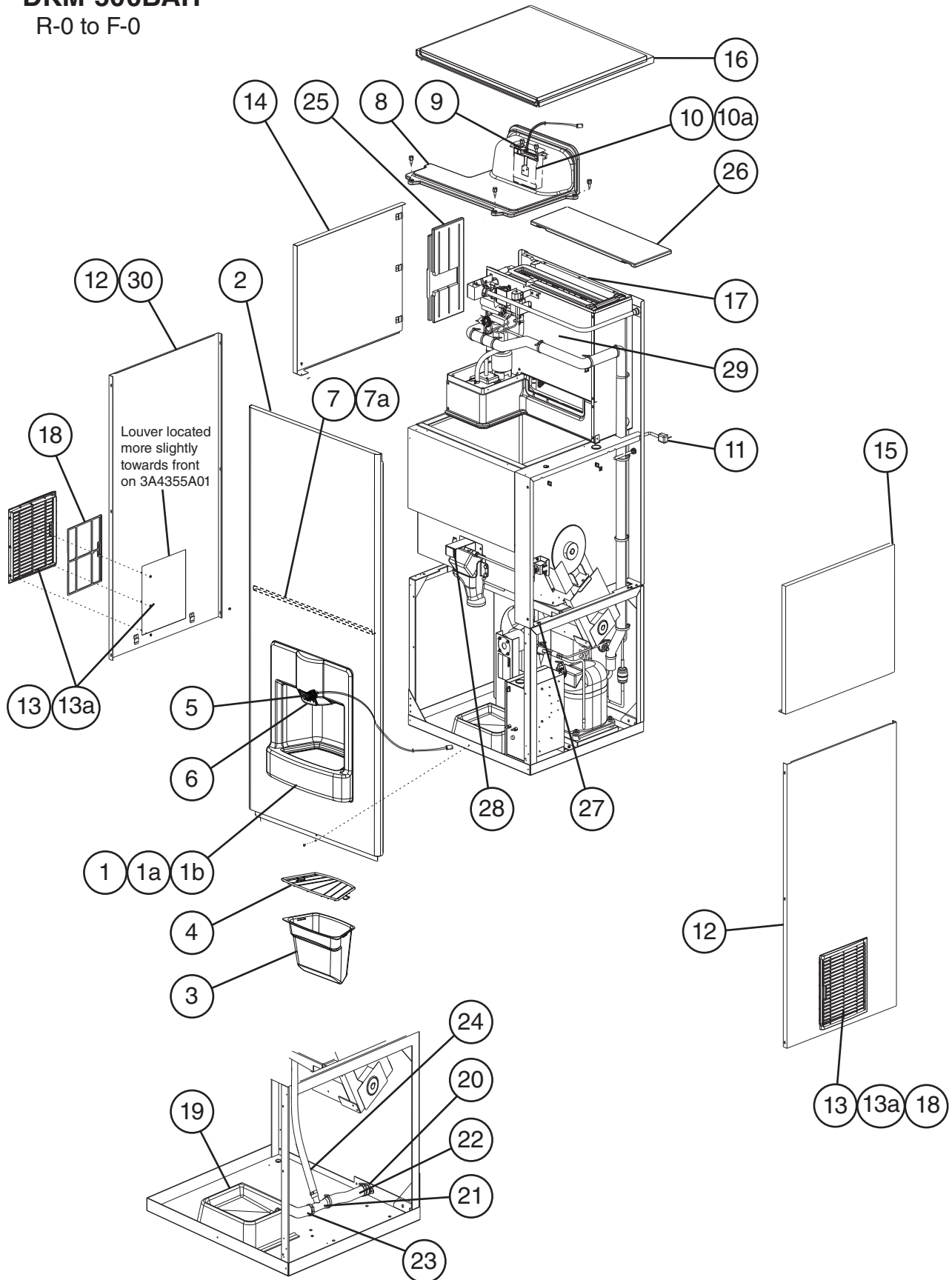
Auxiliary Code Breakdown

The auxiliary code is the first two characters in the serial number. The first character indicates the year. Years progress or regress in alphabetical order. The series runs from "A" through "V" and the letters "I" and "O" are skipped. The second character indicates significant part changes within a year. Base is "0" and this number advances for each change. In cases where there is a letter in parentheses, this designates the month. This is the last character in the serial number. The series runs from "(A)" through "(M)" and the letter "(I)" is skipped. This designation is only included when identifying a parts change within an auxiliary code.

Note About Ordering Parts

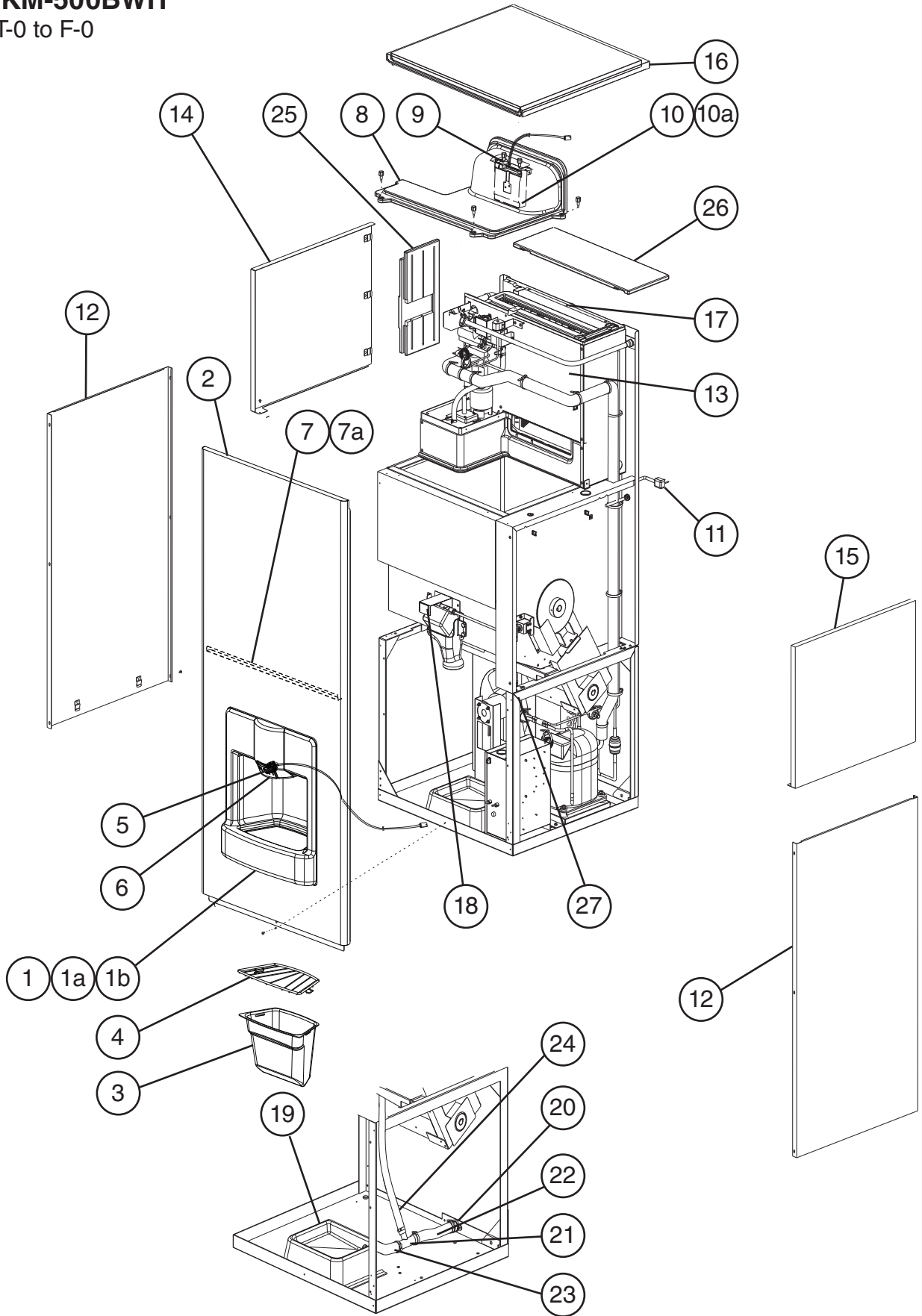
Most assemblies cannot be ordered as complete units; parts in the assemblies generally must be ordered separately.

A. Main Assembly
DKM-500BAH
 R-0 to F-0



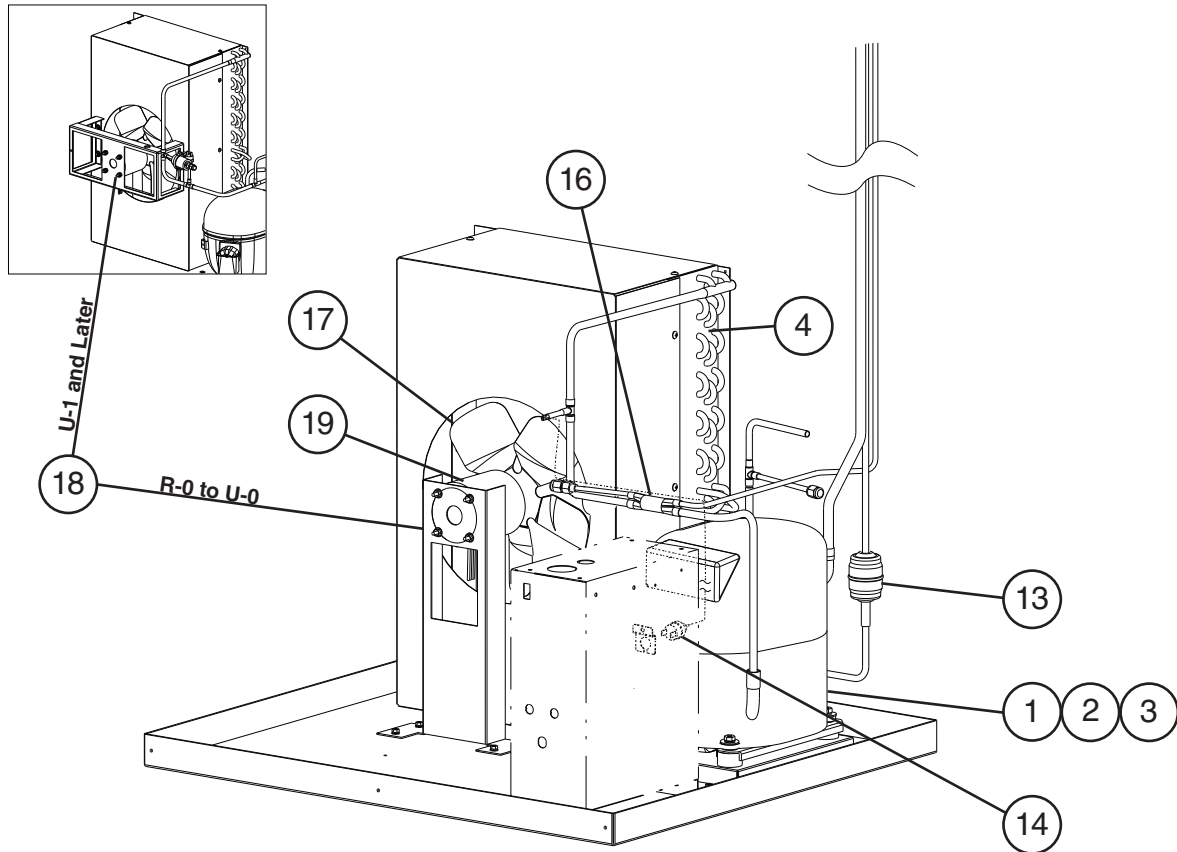
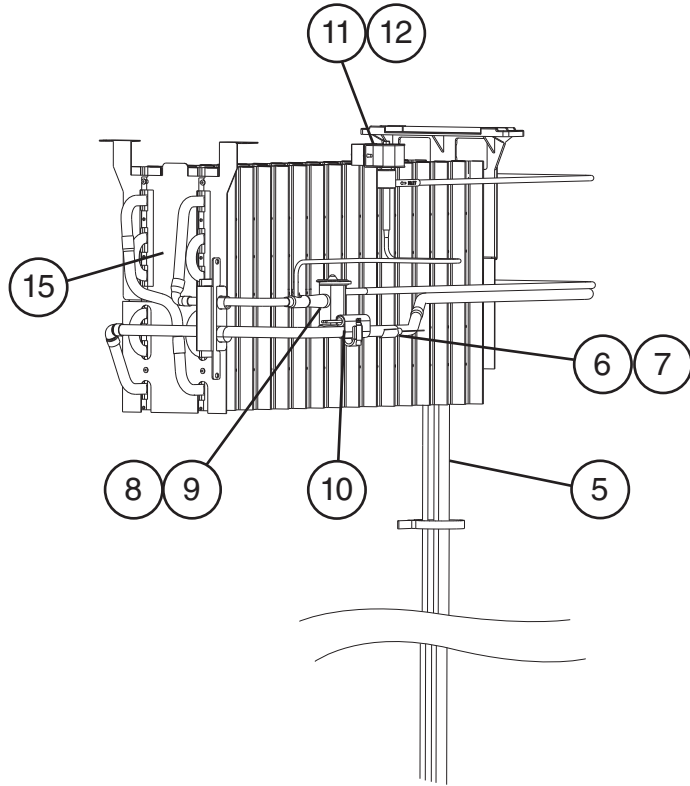
Title: A. Main Assembly Model: DKM-500BAH											
Index No.	Description	Material or Model Number	Part Number	Required Number							
				R-0 to S-0	S-1 to D-0	E-1 F-0					
1	Front Panel A		1A1077-01	1	1	1					
1a	Foam Tape	L=640 mm	4A2460L01	2	2	2					
1b	Foam Tape	L=484 mm	4A2460L01	2	2	2					
2	Front Panel B		1A1076-01	1	1	1					
3	Chute		2A3448-01	1	1	1					
4	Grill		3A3485G01	1	1	1					
5	Push Switch		460111-01	1	1	1					
6	Push Switch Button		3A3871-01	1	1	1					
6a	T2 Screw	4x20	7P32-0420	1	1	1					
7	Front Panel Brace		4A4086-01	1	1	1					
7a	Foam Tape	L=700 mm	4A2460L01	1	1	1					
8	Bin Cap		1A1142-01	1	1	1					
9	Switch Bracket		4A3976-01	1	1	1					
10	Bin Control Switch		464574-01	1	-						
			2A4393G01		1	1					
10a	Thumbscrew		434168G02	2	2	2					
11	Power Supply Cord		4A0520-01	1	1	-					
			4A1543-01			1					
12	Side Panel (includes 1 of item 13 and 3 of item 13a)		3A3744A01	2	-						
					1	1					
13	Louver		1A0547-01	2	2	2					
13a	Push Retainer		4A2414-01	6	6	6					
14	Left Side Panel		2A3532G01	1	1	1					
15	Right Side Panel		2A3529G01	1	1	1					
16	Top Panel		3A3583G01	1	1	1					
17	Hook		4A3984-01	1	1	1					
18	Air Filter		2A2062G01	2	2	2					
19	Drain Pan Assembly		2A3522G01	1	1	1					
20	Drain Fitting		438729-01	1	1	1					
21	Tee		4A0525-05	1	1	1					
22	Vinyl Hose	L=195 mm	4A0658L01	1	1	1					
23	Vinyl Hose	L=170 mm	4A0658L01	1	-						
		L=192 mm			1	1					
24	Vinyl Hose	L=550 mm	7716-2025	1	1	1					
25	Insulation Panel		2A0664G01	1	1	1					
26	Top Insulation		215730G01	1	1	1					
27	Rubber Gasket	L=50 mm	4A0662L01	1	1	1					
28	Front Panel Support		4A4133G01	1	1	1					
29	Evaporator Case		2A3586G01	1	1	1					
30	Left Side Panel (includes 1 of item 10 and 3 of item 10a)		3A4355A01		1	1					
Hose Clamps											
	Hose Clamp	21-26 mm	4A2017-01	2	2	2					
	Hose Clamp	32-37 mm	4A2017-03	4	4	4					

A. Main Assembly
DKM-500BWH
 T-0 to F-0



Title: A. Main Assembly Model: DKM-500BWH											
Index No.	Description	Material or Model Number	Part Number	Required Number							
				T-0	T-1 to E-0	E-1 F-0					
1	Front Panel A		1A1077-01	1	1	1					
1a	Foam Tape	L=640 mm	4A2460L01	2	2	2					
1b	Foam Tape	L=484 mm	4A2460L01	2	2	2					
2	Front Panel B		1A1076-01	1	1	1					
3	Chute		2A3448-01	1	1	1					
4	Grill		3A3485G01	1	1	1					
5	Push Switch		460111-01	1	1	1					
6	Push Switch Button		3A3871-01	1	1	1					
7	Front Panel Brace		4A4086-01	1	1	1					
7a	Foam Tape	L=700 mm	4A2460L01	1	1	1					
8	Bin Cap		1A1142-01	1	1	1					
9	Switch Bracket		4A3976-01	1	1	1					
10	Bin Control Switch		464574-01	1	-						
			2A4393G01		1	1					
10a	Thumbscrew		434168G02	2	2	1					
11	Power Supply Cord		4A0520-01	1	1	-					
			4A1543-01			1					
12	Side Panel w/Clip		2A4573-01	2	2	2					
13	Evaporator Case		2A3586G01	1	1	1					
14	Left Side Panel		2A3532G01	1	1	1					
15	Right Side Panel		2A3529G01	1	1	1					
16	Top Panel Assembly		3A3583G01	1	1	1					
17	Hook		4A3984-01	1	1	1					
18	Front Panel Support		4A4133G01	1	1	1					
19	Drain Pan Assembly		2A3522G01	1	1	1					
20	Drain Fitting		438729-01	1	1	1					
21	Tee		4A0525-05	1	1	1					
22	Vinyl Hose-Clear	L=195 mm	4A0658L01	1	1	1					
23	Vinyl Hose-Clear	L=192 mm	4A0658L01	1	1	1					
24	Vinyl Hose	L=550 mm	7716-2025	1	1	1					
25	Front Insulation		2A0664G01	1	1	1					
26	Top Insulation		215730G01	1	1	1					
27	Rubber Gasket	L=50 mm	4A0662L01	1	1	1					
Hose Clamps											
	Hose Clamp	21-26 mm	4A2017-01	2	2	2					
	Hose Clamp	32-37 mm	4A2017-03	4	4	4					

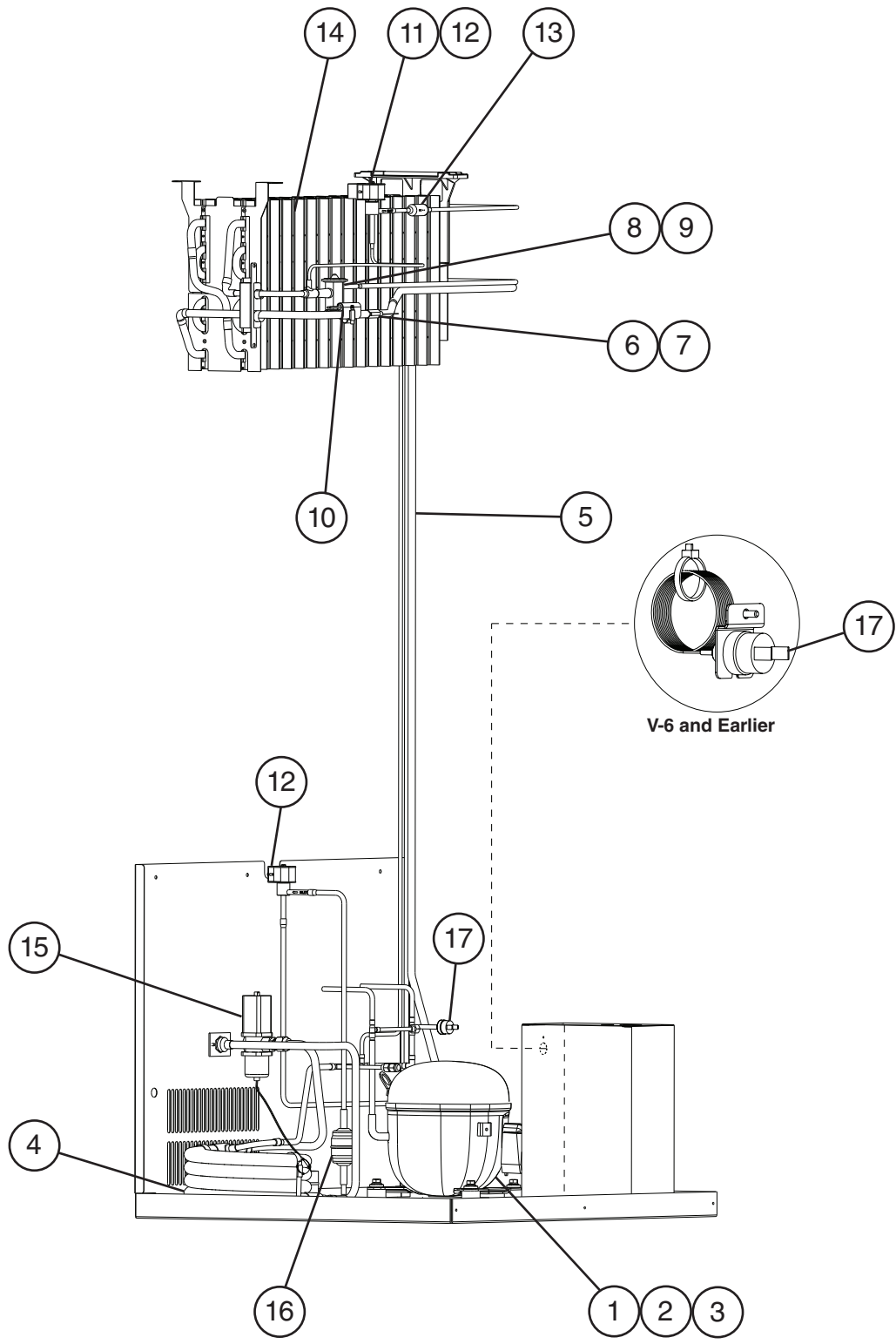
B. Refrigeration Circuit
DKM-500BAH
1/2
 R-0 to V-6



Title: B. Refrigeration Circuit Model: DKM-500BAH

Index No.	Description	Material or Model Number	Part Number	Required Number									
				R-0 to V-6	V-7 to A-5	A-6 to D-0	D-1 to F-0						
1	Compressor	RS55C2E-CAA	4A1843-01	1	-								
		RST61C1E- CFA	4A5158-01		1	1	1						
2	Compressor Insulation Cover		4A3992-01	1	-		1						
3	Protector		4A1877-01	1	-		1						
4	Condenser		1A1099-01	1	1	1	1						
5	Heat Exchanger		2A3568G01	1	-								
			2A6091G01		1	1	1						
6	Thermistor Holder		427430-01	1	1	1	1						
7	Thermistor		429006-06	1	1	1	1						
8	Thermostatic Expansion Valve		4A1870-01	1	-								
			4A4008-01		1	1	1						
9	Thermostatic Expansion Valve Cover		4A1168-01	1	-								
			3A0944-01		1	1	1						
10	Thermostatic Expansion Valve Bulb Holder		3A0112-01	1	-								
			3A0107-01		1	1	1						
11	Hot Gas Valve Body		4A3978-01	1	1	1	1						
12	Valve Coil		4A3277-01	1	1	1	1						
13	Drier		4A2666-01	1	1	1	1						
14	High-Pressure Switch		433441-07	1	-								
			463180-04		1	1	1						
15	Evaporator Assembly		2A3562G01	1	1	1	1						
16	Strainer		4A0397-01	1	-								
			441569-01		1	1	1						
17	Fan Blade		444898-01	1	1	1	1						
18	Fan Motor Bracket		2A3741-01	1	1	-							
			3A5406-01			1	1						
19	Fan Motor		4A3158-01	1	1	1	1						

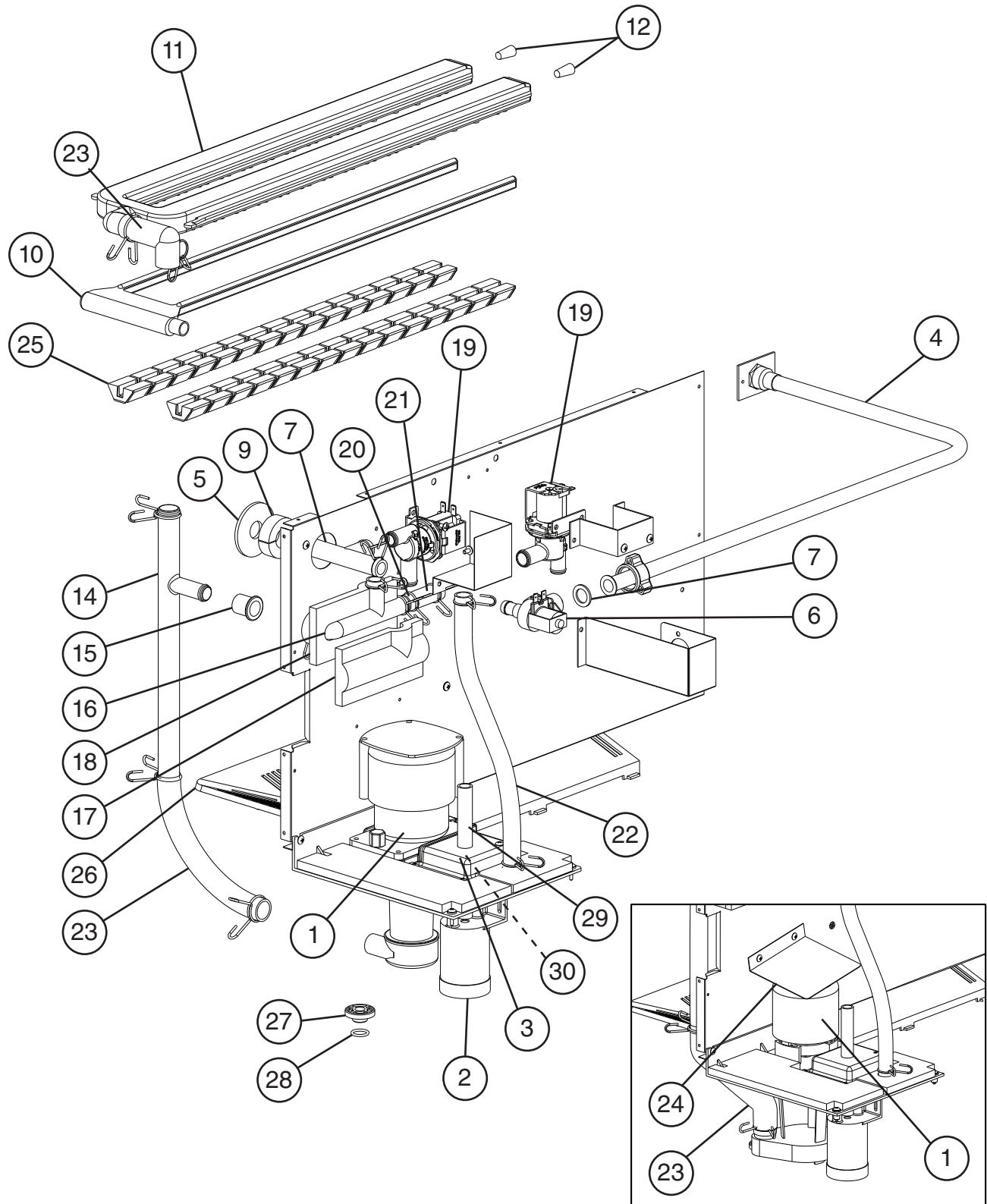
B. Refrigeration Circuit
DKM-500BWH
 T-0 to F-0



Title: B. Refrigeration Circuit Model: DKM-500BWH

Index No.	Description	Material or Model Number	Part Number	Required Number									
				T-0 to V-6	V-7 to C-0	C-1 D-0	D-1 to F-0						
1	Compressor	RST55C1E-CAA	4A4376-01	1	1	1	1						
2	Compressor Insulation Cover		4A3992-01	1	-		1						
3	Protector		4A2634-02	1	1	1	1						
4	Condenser		2A2359G01	1	1	-							
			3A7321-01			1	1						
5	Heat Exchanger		2A4502G01	1	1	1	1						
6	Thermistor Holder		427430-01	1	1	1	1						
7	Thermistor		429006-06	1	1	1	1						
8	Thermostatic Expansion Valve		4A1870-01	1	1	1	1						
9	Thermostatic Expansion Valve Cover		4A1168-01	1	1	1	1						
10	Thermostatic Expansion Valve Bulb Holder		3A0112-01	1	1	1	1						
11	Hot Gas Valve Body		4A3978-01	1	1	1	1						
12	Valve Coil		4A3277-01	2	2	2	2						
13	Strainer		441569-01	1	1	1	1						
14	Evaporator Assembly		2A3562G01	1	1	1	1						
15	Water Regulator		4A0911-06	1	1	1	1						
16	Drier		4A2666-01	1	1	1	1						
17	High-Pressure Switch		433441-05	1	-								
			463180-05		1	1	1						

C. Water Circuit
DKM-500B_H
 R-0 to F-0



R-0 to U-0

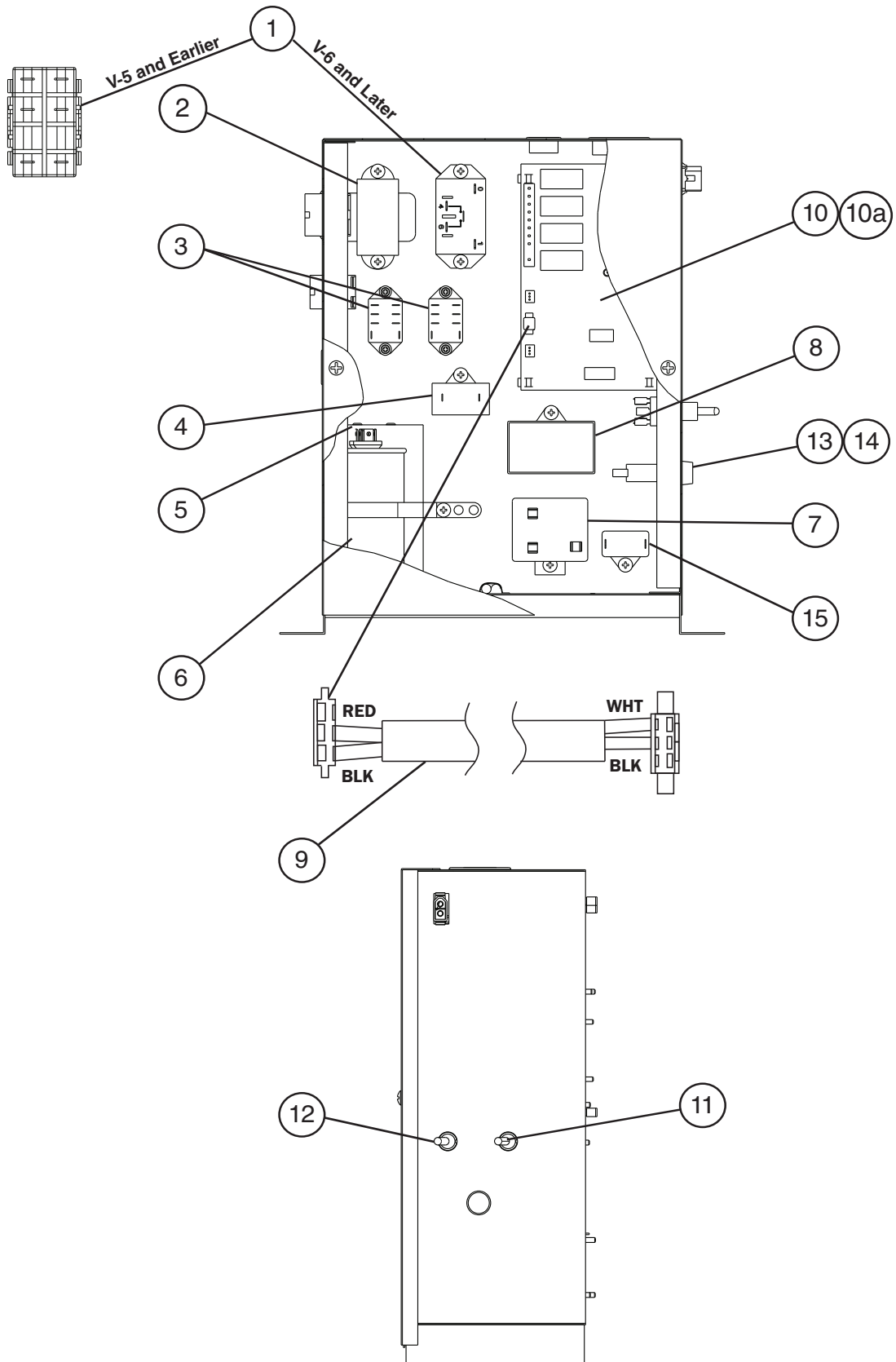
Title: C. Water Circuit Model: DKM-500B_H

Index No.	Description	Material or Model Number	Part Number	Required Number								
				R-0 to S-0	S-1 to U-0	U-1 to V-6	V-7 to F-0					
1	Pump Motor		2A2861-01	1	1	-						
			4A4259-01			1	1					
2	Float Switch		4A0886-03	1	-							
			4A3624-03		1	1	1					
3	Float Switch Cover		3A0665-01	1	1	1	1					
4	Water Supply Pipe		3A3589G01	1	1	1	1					
5	Rubber Gasket		413854-03	1	1	1	1					
6	Inlet Water Valve	DKM-500BAH	3U0150-01	1	1	1	-					
			4A5251-05				1					
		DKM-500BWH	3U0111-04		1	1	1					
7	Water Supply Tee		4A1006-01	1	1	1	1					
8	Flange		439267-01	1	1	1	1					
9	Insulation E		4A0392-01	1	1	1	1					
10	Water Supply Tube		2A0079-01	1	1	1	1					
11	Spray Tube		1A0260-02	1	1	1	1					
12	Plug		4A0176-01	2	2	2	2					
13	Elbow		4A0393-01	1	1	1	1					
14	Connecting Pipe		3A1335-01	1	1	1	1					
15	Rubber Ring		4A1004-01	1	1	1	1					
16	Bypass Hose		4A1005-01	1	1	1	1					
17	Insulation A1 Bypass Hose		4A1259-01	1	1	1	1					
18	Insulation A2 Bypass Hose		4A1260-01	1	1	1	1					
19	Solenoid Valve (wash and drain)		4A3722-01	2	2	2	2					
20	Joint Pipe		439329-01	1	1	1	1					
21	Vinyl Hose	L=55 mm	7716-1519	1	1	1	1					
22	Vinyl Hose	L=315 mm	7716-1519	1	1	1	1					
23	Pump Hose		4A1007-01	1	1	-						
	Vinyl Hose	L=230 mm	7716-2025			1	1					
24	Pump Barrier		4A3923-01	1	1	-						
25	Spray Guide A		208586-01	6	6	6	6					
26	Cube Guide A		2A0660-01	1	1	1	1					
27	Drain Plug		309246-01	1	1	1	1					
28	O-Ring		7611-P015	1	1	1	1					
29	Vinyl Hose	L=150 mm	7716-1216	1	1	1	1					
30	Float Switch Spacer	DKM-500BWH	4A0650-01		1	1	1					
Hose Clamps												
	Hose Clamp	21 - 26 mm	4A2017-01	4	4	4	4					
	Hose Clamp	21 - 26 mm	4A2017-03	5	5	5	5					

D. Control Box Assembly

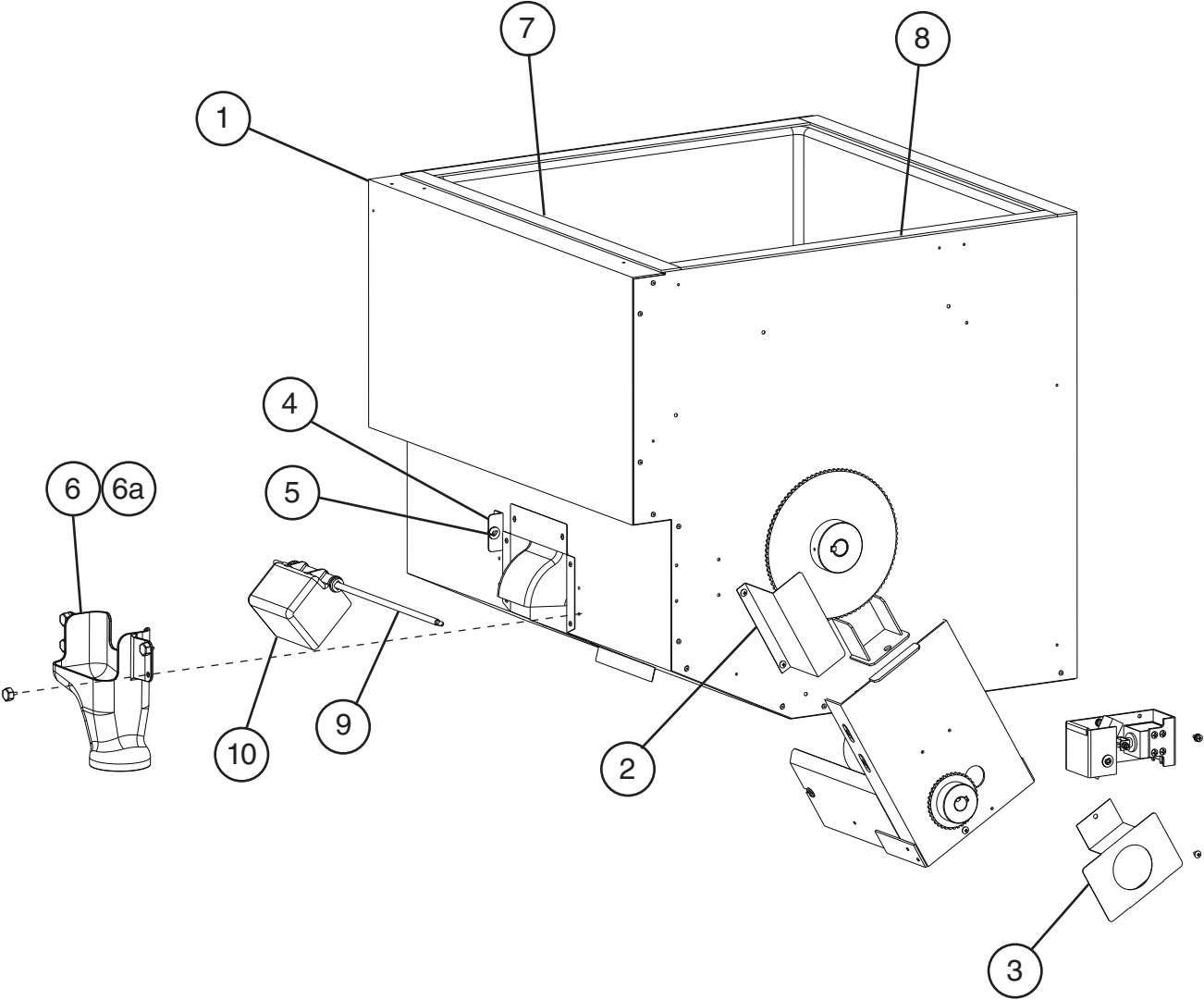
DKM-500B_H

R-0 to F-0



Title: D. Control Box Assembly Model: DKM-500B_H													
Index No.	Description	Material or Model Number	Part Number	Required Number									
				R-0 to S-1	T-0 to U-0	U-1 to V-5	V-6	V-7 to E-0	E-1 F-0				
1	Magnetic Contactor		428393-01	1	1	1	-						
	Compressor Relay		4A3140-01				1	1	1				
2	Control Transformer		3A0172-01	1	1	1	1	1	1				
3	Relay (control and ice dispense)	120VAC	406132-07	2	2	2	2	2	2				
4	Fan Motor Capacitor	DKM-500BAH 5MFD, 250VAC	443192-02	1	1	1	1	1	1				
5	Start Capacitor	DKM-500BAH 189-227MFD, 330VAC	3A0076-12	1	1	1	1	-					
		DKM-500BAH 243-292MFD, 250VAC	3A0076-21					1	1				
		DKM-500BWH 243-292MFD, 250VAC	3A0076-21		1	1	1	1	1	-			
		DKM-500BWH 243-292MFD, 165VAC	3A0076-20								1		
6	Run Capacitor	DKM-500BAH 25MFD, 370VAC	3A2005-06	1	1	1	1	-					
		DKM-500BAH 40MFD, 440VAC	3A2005-07						1	1			
		DKM-500BWH 35MFD,440VAC	3A2005-12		1	1	1	1	1	1			
7	Start Relay	DKM-500BAH	4A1107-13	1	1	1	1	-					
			4A1107-20						1	1			
		DKM-500BWH	4A1107-11		1	1	1	1	1	1			
8	Gear Motor Capacitor		4A2273-01	1	-								
			4A4319-02		1	1	1	1	1	1			
9	Bin Control Wire Harness	DKM-500BAH L=1800 mm	4A2200G03	1	1	-							
		DKM-500BWH L=1800 mm				1	-						
		DKM-500BAH L=1220 mm	4A2200G01			1	1	1	-				
		DKM-500BWH L=1220 mm					1	1	-				
		L=1220 mm		4A2200G06							1		
10	Control Board		2A1410-01	1	1	1	1	1	-				
			2A3792-01							1			
10a	Control Board Support		4A0336-03	4	4	4	4	4	4				
11	Service Switch (toggle)		4A0985-01	1	1	1	1	1	1				
12	Control Switch (toggle)		443119-01	1	1	1	1	1	1				
13	Fuse	AGC-10A, 250VAC	4A0893-07	3	3	3	3	3	3				
14	Fuse Holder		4A5443-01	1	1	1	1	1	1				
15	Pump Motor Capacitor	2.5MFD, 250VAC	4A2128-05			1	1	1	1				

E. Bin Assembly
DKM-500B_H
R-0 to F-0



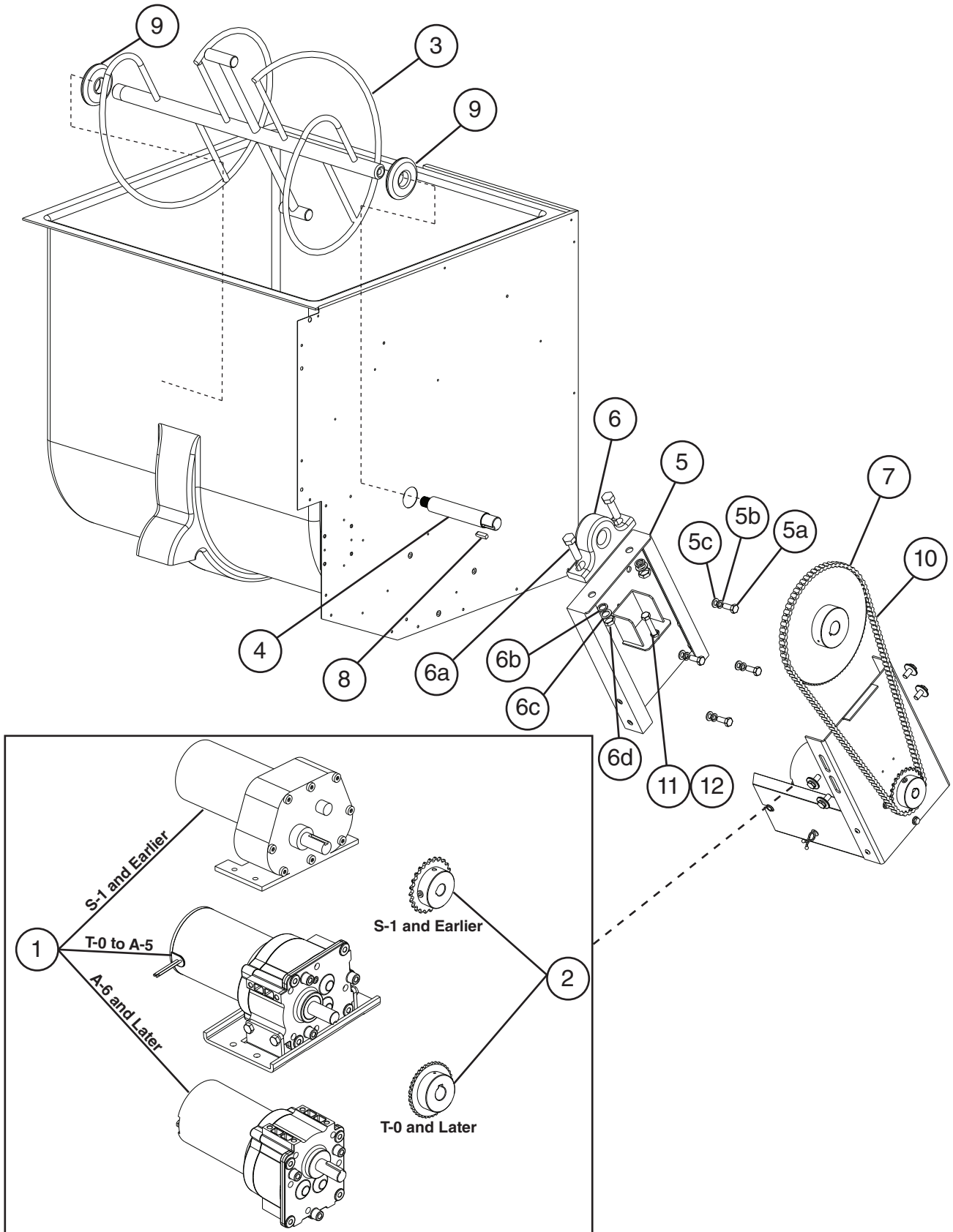
Title: E. Bin Assembly Model: DKM-500B_H

Index No.	Description	Material or Model Number	Part Number	Required Number								
				R-0 to S-1	T-0 to A-5	A-6	C-0 to F-0					
1	Bin Body		106184G02	1	1	1	-					
			106184G04				1					
2	Chain Cover (A)		438282-01	1	1	1	1					
3	Chain Cover (B)		438283-01	1	1	1	1					
4	Shutter Collar Bracket		439399-01	1	1	1	1					
5	Shutter Collar		435533-01	1	1	1	1					
6	Spout		2A3528-01	1	1	1	1					
6a	Thumbscrew		415949G08	4	4	4	4					
7	Gasket	L=650 mm	4A0808L01	2	2	2	2					
8	Gasket	L=580 mm	4A0808L01	2	2	2	2					
9	Shaft-Shutter		328648-01	1	1	1	1					
10	Shutter (A)		215459-01	1	1	1	1					

F. Mechanism Assembly

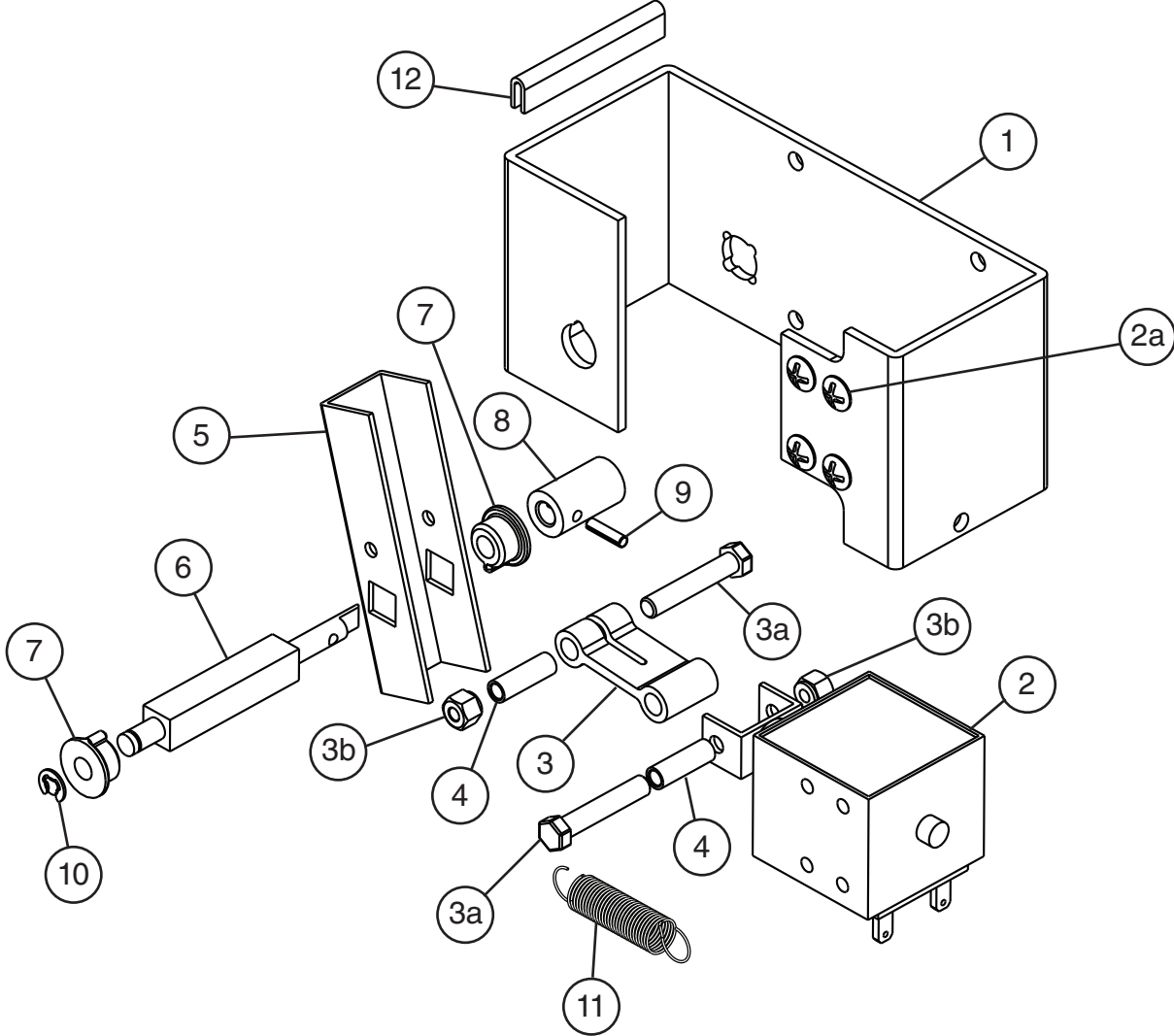
DKM-500B_H

R-0 to F-0



Title: F. Mechanism Assembly Model: DKM-500B_H											
Index No.	Description	Material or Model Number	Part Number	Required Number							
				R-0 to S-1	T-0 to A-5	A-6 to F-0					
1	Gear Motor		4A0183-01	1	-						
			4A4264-01		1	-					
			4A5055-01			1					
2	Small Sprocket (A)	(w/5x14 set screw)	435557-01	1	-						
		(w/5x8 set screw)	4A4413-01		1	1					
3	Agitator		212969G01	1	1	1					
4	Drive Shaft		435551-01	1	1	1					
5	Gear Motor Bracket A		2A0450G01	1	1	1					
5a	Hex Head Bolt		7B01-0820	4	4	4					
5b	Split Lock Washer		7L21-0800	4	4	4					
5c	Flat Washer		7W21-0800	4	4	4					
6	Pillow Block Bearing		435553-02	1	1	1					
6a	Hex Head Bolt		7B01-1240	2	2	2					
6b	Flat Washer		7W21-1200	2	2	2					
6c	Split Lock Washer		7L21-1200	2	2	2					
6d	Hex Nut		7N11-1200	2	2	2					
7	Large Sprocket (B)	No. 35x65T (w/6x18 set screw)	435554-01	1	1	1					
8	Key	6x6x22	437265-01	1	1	1					
9	Seal (B)		435558-01	2	2	2					
10	Chain		435797-01	1	1	1					
11	Hex Head Bolt	8x45	7B01-0845	1	1	1					
12	Hex Nut		7N11-0800	1	1	1					

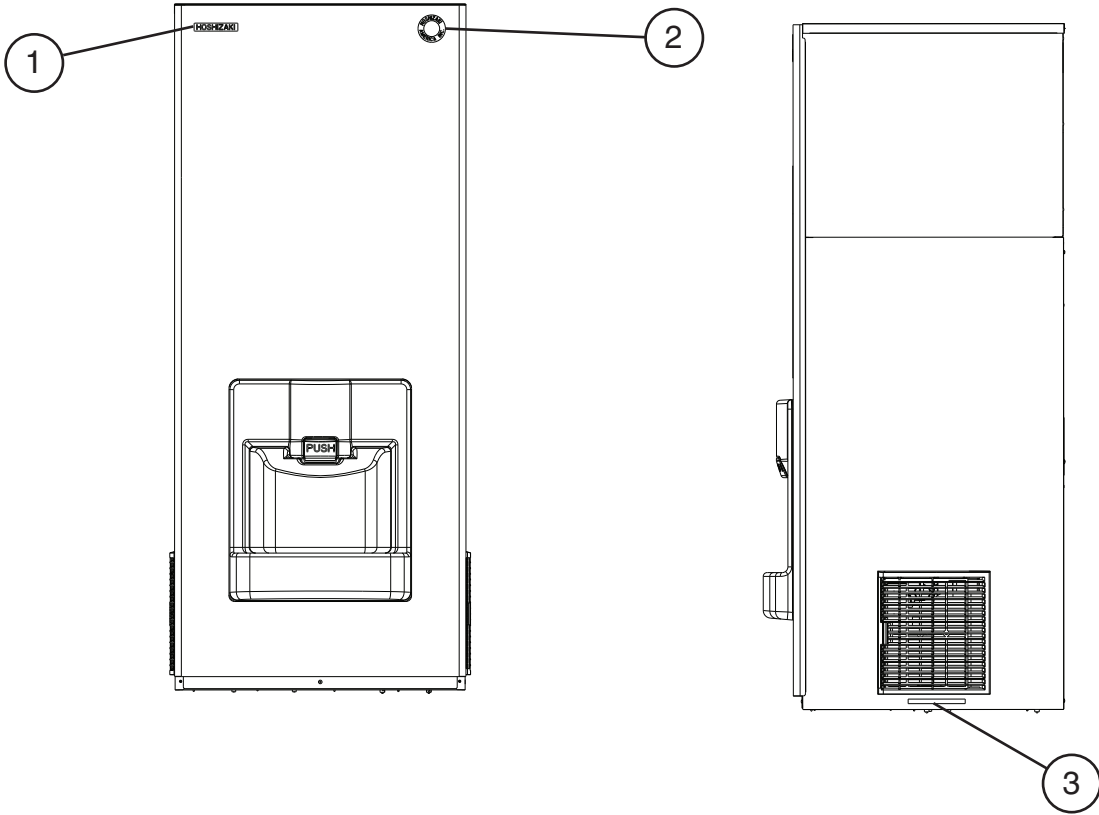
G. Solenoid Assembly
DKM-500B_H
R-0 to F-0



Title: G. Solenoid Assembly Model: DKM-500B_H

Index No.	Description	Material or Model Number	Part Number	Required Number									
				R-0 to S-0	S-1 to F-0								
1	Solenoid Bracket		3A0533-01	1	1								
2	Solenoid		4A0856-01	1	1								
2a	Truss Head Screw		7C32-0408	4	4								
3	Link		432232-01	1	1								
3a	Hex Head Bolt		7B02-0430	2	2								
3b	Hex Nut		7N12-0400	2	-								
	Self-Locking Nut		7N22-0400		2								
4	Collar (D)		432471-01	2	2								
5	Link-Solenoid		439397-01	1	1								
6	Shaft		435532-01	1	1								
7	Collar-Shutter		435533-01	2	2								
8	Connector		435534-01	1	1								
9	Spring Pin		712S-0312	1	1								
10	E-Ring		721S-0005	1	1								
11	Spring		432878-01	1	1								
12	Rubber Gasket	L=50 mm	4A0662L01	1	1								

H. Accessories & Labels
DKM-500B_H
 R-0 to F-0



Title: H. Accessories & Labels		Model: DKM-500B_H		Required Number							
Index No.	Description	Material or Model Number	Part Number	R-0 to D-0	D-1 to F-0						
				1	Emblem		4A0560-01	1	1		
2	Penguin Label		4A0526-02	1	1						
3	Air Filter Label	DKM-500BAH	426177-01	2	-						