
BUNN®

MHG
for use with
Smart Funnel®
S/N MHG0015000 & UP



ILLUSTRATED PARTS CATALOG

Designs, materials, weights, specifications, and dimensions for equipment or replacement parts are subject to change without notice.

BUNN-O-MATIC CORPORATION

POST OFFICE BOX 3227

SPRINGFIELD, ILLINOIS 62708-3227

PHONE: (217) 529-6601 FAX: (217) 529-6644



BUNN-O-MATIC COMMERCIAL PRODUCT WARRANTY

Bunn-O-Matic Corp. ("BUNN") warrants equipment manufactured by it as follows:

- 1) Airpots, thermal carafes, decanters, GPR servers, iced tea/coffee dispensers, MCR/MCP/MCA single cup brewers, thermal servers and ThermoFresh® servers (mechanical and digital) 1 year parts and 1 year labor.
- 2) All other equipment - 2 years parts and 1 year labor plus added warranties as specified below:
 - a) Electronic circuit and/or control boards - parts and labor for 3 years.
 - b) Compressors on refrigeration equipment - 5 years parts and 1 year labor.
 - c) Grinding burrs on coffee grinding equipment to grind coffee to meet original factory screen sieve analysis - parts and labor for 4 years or 40,000 pounds of coffee, whichever comes first.

These warranty periods run from the date of installation BUNN warrants that the equipment manufactured by it will be commercially free of defects in material and workmanship existing at the time of manufacture and appearing within the applicable warranty period. This warranty does not apply to any equipment, component or part that was not manufactured by BUNN or that, in BUNN's judgment, has been affected by misuse, neglect, alteration, improper installation or operation, improper maintenance or repair, non periodic cleaning and descaling, equipment failures related to poor water quality, damage or casualty. In addition, the warranty does not apply to replacement of items subject to normal use including but not limited to user replaceable parts such as seals and gaskets. This warranty is conditioned on the Buyer 1) giving BUNN prompt notice of any claim to be made under this warranty by telephone at (217) 529-6601 or by writing to Post Office Box 3227, Springfield, Illinois 62708-3227; 2) if requested by BUNN, shipping the defective equipment prepaid to an authorized BUNN service location; and 3) receiving prior authorization from BUNN that the defective equipment is under warranty.

THE FOREGOING WARRANTY IS EXCLUSIVE AND IS IN LIEU OF ANY OTHER WARRANTY, WRITTEN OR ORAL, EXPRESS OR IMPLIED, INCLUDING, BUT NOT LIMITED TO, ANY IMPLIED WARRANTY OF EITHER MERCHANTABILITY OR FITNESS FOR A PARTICULAR PURPOSE. The agents, dealers or employees of BUNN are not authorized to make modifications to this warranty or to make additional warranties that are binding on BUNN. Accordingly, statements by such individuals, whether oral or written, do not constitute warranties and should not be relied upon.

If BUNN determines in its sole discretion that the equipment does not conform to the warranty, BUNN, at its exclusive option while the equipment is under warranty, shall either 1) provide at no charge replacement parts and/or labor (during the applicable parts and labor warranty periods specified above) to repair the defective components, provided that this repair is done by a BUNN Authorized Service Representative; or 2) shall replace the equipment or refund the purchase price for the equipment.

THE BUYER'S REMEDY AGAINST BUNN FOR THE BREACH OF ANY OBLIGATION ARISING OUT OF THE SALE OF THIS EQUIPMENT, WHETHER DERIVED FROM WARRANTY OR OTHERWISE, SHALL BE LIMITED, AT BUNN'S SOLE OPTION AS SPECIFIED HEREIN, TO REPAIR, REPLACEMENT OR REFUND.

In no event shall BUNN be liable for any other damage or loss, including, but not limited to, lost profits, lost sales, loss of use of equipment, claims of Buyer's customers, cost of capital, cost of down time, cost of substitute equipment, facilities or services, or any other special, incidental or consequential damages.

392, A Partner You Can Count On, Air Infusion, AutoPOD, AXIOM, BrewLOGIC, BrewMETER, Brew Better Not Bitter, BrewWISE, BrewWIZARD, BUNN Espresso, BUNN Family Gourmet, BUNN Gourmet, BUNN Pour-O-Matic, BUNN, BUNN with the stylized red line, BUNNlink, Bunn-O-Matic, Bunn-O-Matic, BUNNserve, BUNNSERVE with the stylized wrench design, Cool Froth, DBC, Dr. Brew stylized Dr. design, Dual, Easy Pour, EasyClear, EasyGard, FlavorGard, Gourmet Ice, Gourmet Juice, High Intensity, iMIX, Infusion Series, Intellisteam, My Café, Phase Brew, PowerLogic, Quality Beverage Equipment Worldwide, Respect Earth, Respect Earth with the stylized leaf and coffee cherry design, Safety-Fresh, savemycoffee.com, Scale-Pro, Silver Series, Single, Smart Funnel, Smart Hopper, SmartWAVE, Soft Heat, SplashGard, The Mark of Quality in Beverage Equipment Worldwide, ThermoFresh, Titan, trifacta, TRIFECTA (stylized logo), Velocity Brew, Air Brew, Beverage Bar Creator, Beverage Profit Calculator, Brew better, not bitter., Build-A-Drink, BUNNsource, Coffee At Its Best, Cyclonic Heating System, Daypart, Digital Brewer Control, Element, Milk Texturing Fusion, Nothing Brews Like a BUNN, Picture Prompted Cleaning, Pouring Profits, Signature Series, Sure Tamp, Tea At Its Best, The Horizontal Red Line, Ultra are either trademarks or registered trademarks of Bunn-O-Matic Corporation. The commercial trifacta® brewer housing configuration is a trademark of Bunn-O-Matic Corporation.

TABLE OF CONTENTS

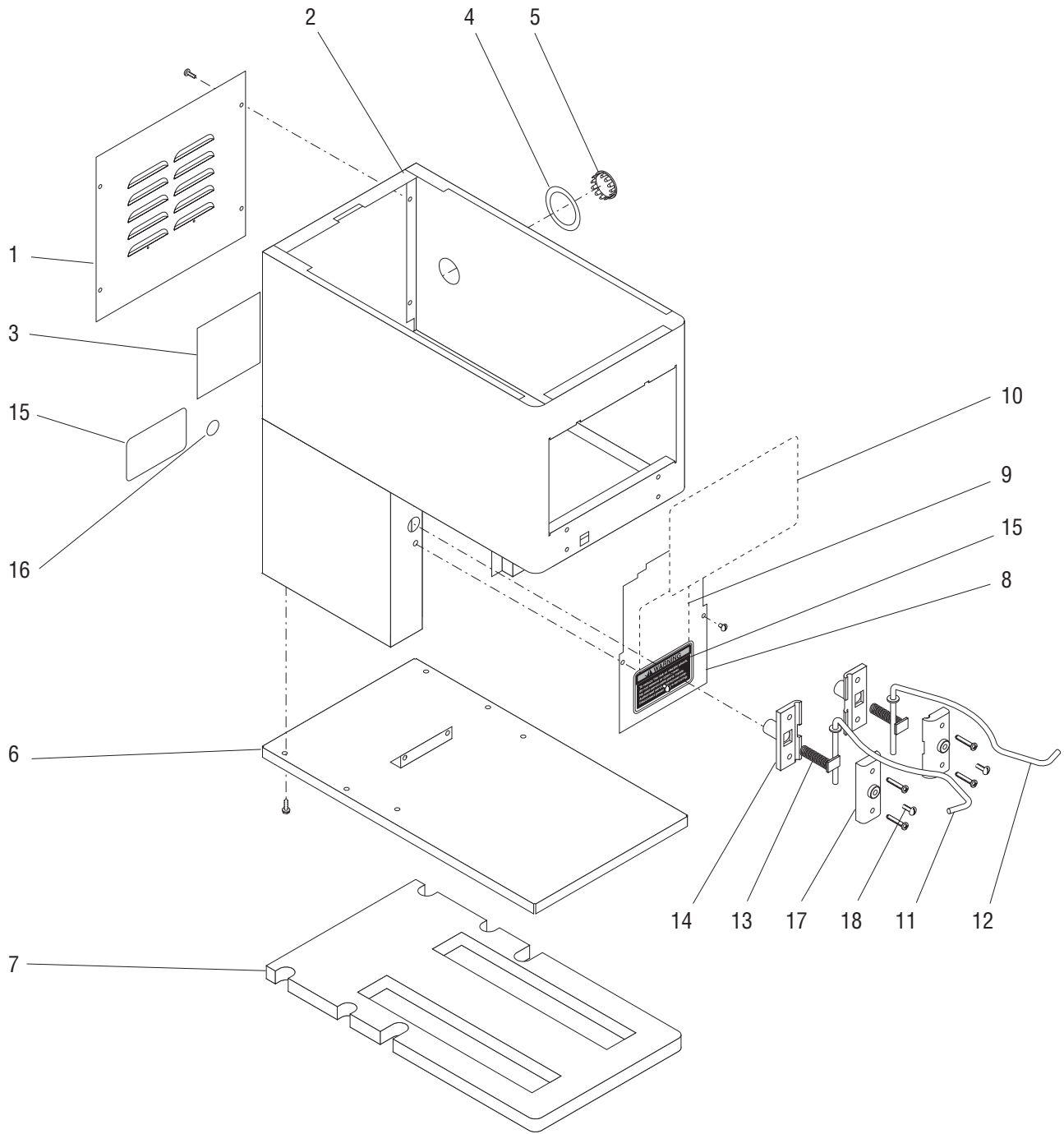
Electrical Controls12

Hopper, Lid and Slide Plate Assy.....6

Housing, Base and Panels.....4

Motor, Burr Housing and Mounting Plate.....10

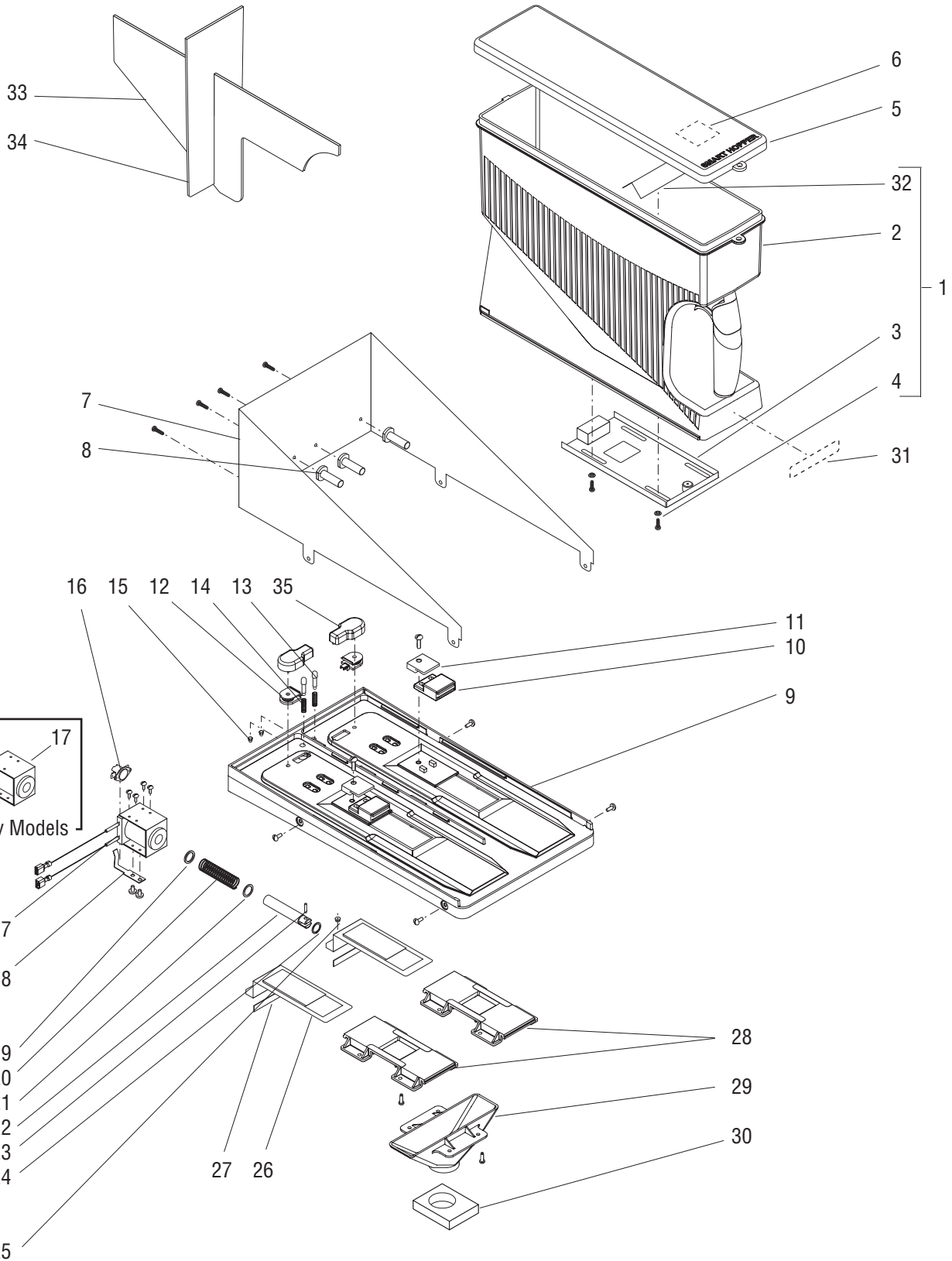
Numerical Index.....16



HOUSING, BASE AND PANELS

ITEM	PART NO.	QTY.	DESCRIPTION
1	35766.0000	1	Rear Panel SST, 120V
	35766.0001	1	Rear Panel BLK, 120V
	36632.0000	1	Rear Panel SST, 230V
	36632.0001	1	Rear Panel BLK, 230V
	01308.0000	4	Screw, Truss Head SST #6-32 x .25"
	01382.0002	4	Screw, Truss Head BLK #6-32 x .38"
2	35765.1001	1	Housing Assy W/Decals, SST (Includes items 3 & 4)
	35765.1003	1	Housing Assy W/Decals, BLK (Includes items 3 & 4)
3	20545.0000	1	Decal, Warning Electrical
4	05884.0000	1	Decal, Motor Reset
5	02999.0000	1	Plug, Hole SST 1.19" Dia.
	25126.0000	1	Plug, Hole BLK 1.19" Dia.
6	35740.0001	1	Base SST
	35740.0002	1	Base BLK
	02311.0000	6	Screw, Hex Washerhead #10-32 x .50"
7	35741.0000	1	Pad, Base
8	35843.1000	1	Panel Assy W/Decals, 120V, SST (Includes item 9)
	35843.1001	1	Panel Assy W/Decals, 120V, BLK (Includes item 9)
	01308.0000	2	Screw, Truss Head SST #6-32 x .25"
	01382.0002	2	Screw, Truss Head BLK #6-32 x .38"
9	45151.0000	1	Schematic 120V/240V
10	-----	1	Membrane Switch (See ELECTRICAL CONTROLS)
11	32568.0001	1	Funnel Rail, Left
12	32569.0001	1	Funnel Rail, Right
13	32570.0000	2	Spring
14	32561.0000	2	Bracket, Inner Spring
15	37881.0000	2	Decal, No Serviceable Parts
16	00824.0002	1	Decal, Grounding
17	39586.1000	2	Bracket, Outer Spring
	01326.0008	4	Screw, Truss Head, Blk #10-32 x 1.25"
18	01317.0000	2	Screw, Adjustment, Truss Head, Blk #8-32 x .50"

* Indicates the part number listed is for reference only. See DESCRIPTION for possible service replacement.



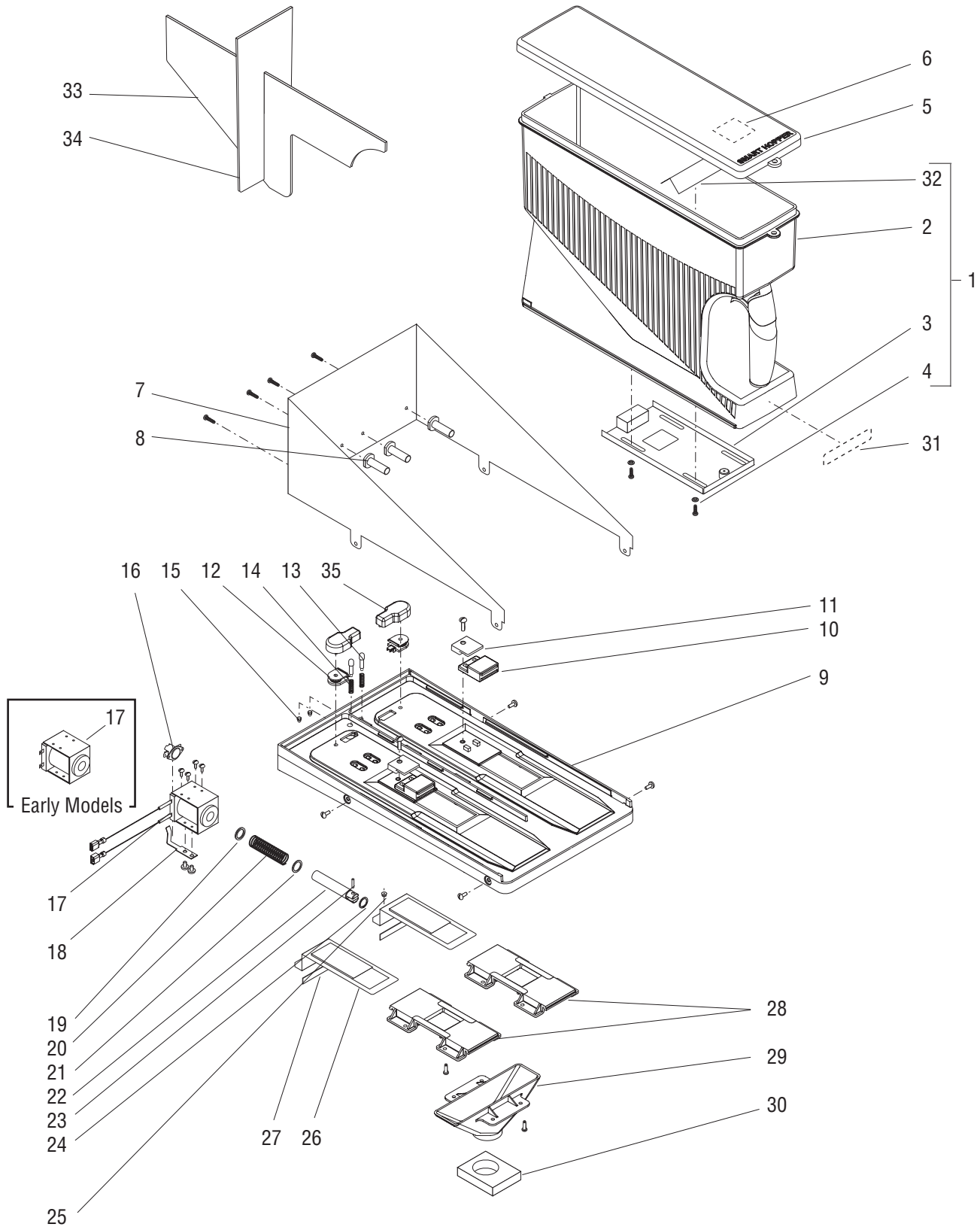
HOPPER, LID & SLIDE PLATE ASSEMBLY

ITEM	PART NO.	QTY.	DESCRIPTION
1	36845.0000	2	Hopper Assy (Includes items 2,3,4,5,6 & 32)
2	35732.0000*	1	Hopper (Order item 1)
3	35817.0000	1	Hopper Gate
	01383.0000	4	Screw, Pan Head #6-32 x .50"
4	35818.0000	4	Bushing
5	35771.1000	2	Lid w/Decals (Includes item 6)
	35771.1002	2	Lid, Orange (Optional)
6	05876.0000	2	Decal, Caution
7	35909.0000	1	Hopper Wrapper SST
	35909.0001	1	Hopper Wrapper BLK
	01382.0007	4	Screw, Truss Head BLK #6-32 x .375"
8	36553.0000	4	Pin, Hopper Locator
	44646.0001	4	Screw, Pan Head #6 x .60"
9	35858.0003	1	Slide Gate
10	35874.0001	2	Magnet Latch
11	35875.0000	2	Magnet Retainer
	01338.0000	2	Screw, Truss Head #8-32 x .62"
12	32572.1000	2	Sensing Coil
13	29699.1000	2	Plunger Assy (Includes items 14 & 15)
14	33144.0000*	2	Spring (Order item 13)
15	24224.0000	2	Nut, Acorn
16	23917.0000	2	Limit Thermostat
17	05917.0006	2	Solenoid Assy 120V (Early Models w/o Leads)
	05939.0008	2	Solenoid Assy 120V (Late Models w/ Leads)
	05917.0007	2	Solenoid Assy 230V (Early Models w/o Leads)
	05939.0009	2	Solenoid Assy 230V (Late Models w/ Leads)
	05917.0011	2	Solenoid Assy 240V 60Hz (Early Models w/o Leads)
	05939.0012	2	Solenoid Assy 240V 60Hz (Late Models w/ Leads)
	05917.0009	2	Solenoid Assy 100V 50 Hz (Early Models w/o Leads)
	05939.0010	2	Solenoid Assy 100V 50 Hz (Late Models w/ Leads)
	05917.0010	2	Solenoid Assy 100V 60 Hz (Early Models w/o Leads)
	05939.0011	2	Solenoid Assy 100V 60 Hz (Late Models w/ Leads)
	01317.0003	8	Screw, Truss Head, Locking #8-32 x .38"
18	36335.0000	2	Clip
	01311.0001	4	Screw, Truss Head, Locking #8-32 x .25"
19	23923.0000	2	Washer, Fiber .063" Thick
20	35762.0000	2	Spring
21	23922.0000	2	Washer, Retaining .035" Thick

(Continued)

* Indicates the part number listed is for reference only. See DESCRIPTION for possible service replacement.

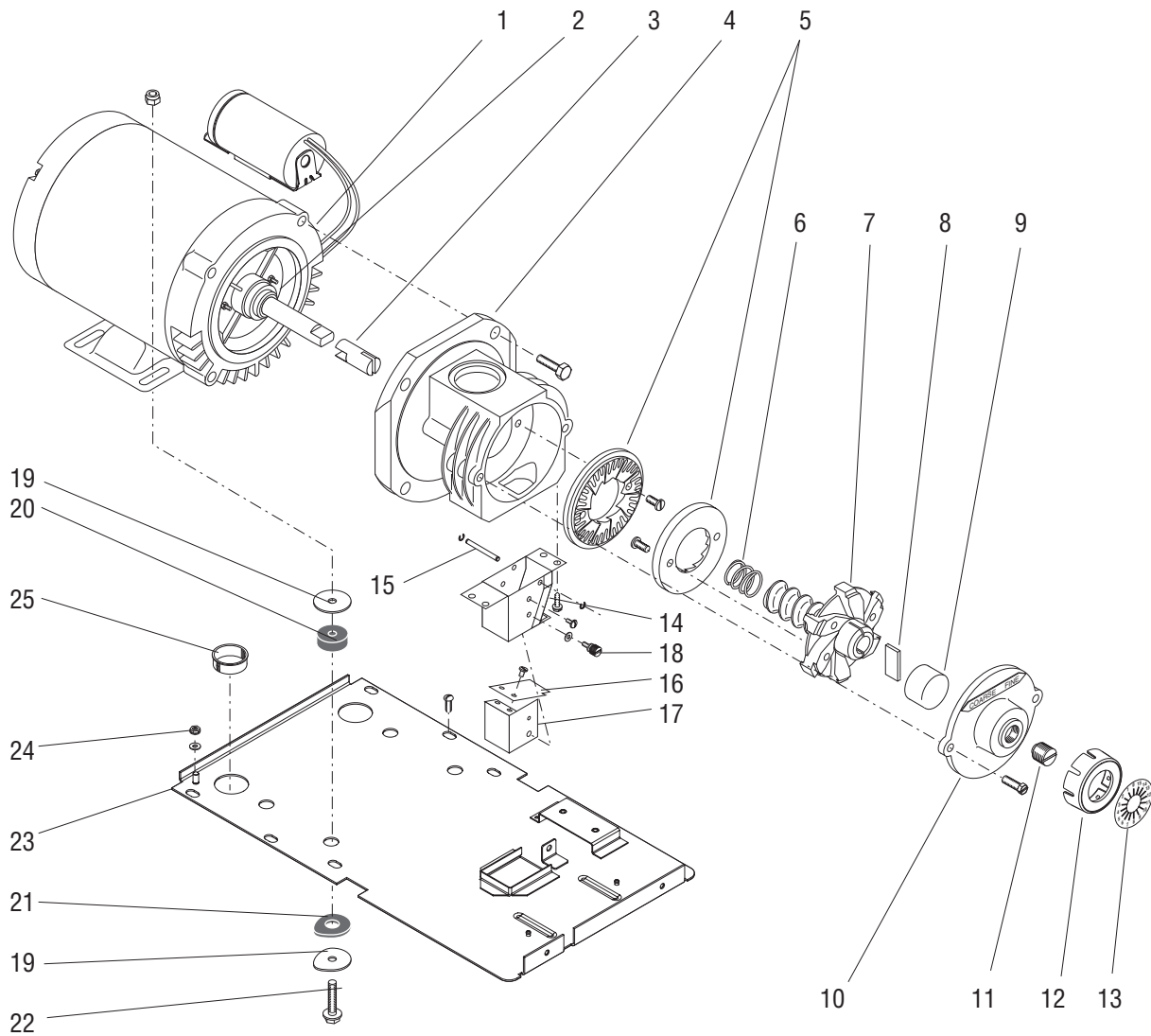
(Continued)



HOPPER, LID & SLIDE PLATE ASSEMBLY

ITEM	PART NO.	QTY.	DESCRIPTION
22	35910.0002	2	Plunger
23	02858.0001	2	Pin, Spring .125" x .50"
24	23919.0000	2	Snap Ring
25	26033.0001	2	Bearing
26	35816.0000	2	Slide Gate
27	36389.0000	2	Bumper
28	35862.0000	2	Support, Slide Gate
	01383.0000	4	Screw, Pan Head #6-32 x .50"
29	35861.0000	1	Collector
	01383.0000	4	Screw, Pan Head #6-32 x .50"
30	21457.0001	1	Gasket, Burr Housing/Collector
31	36425.0003	1	Decals, Coffee Type
32	36711.0000	2	Baffle
33	36053.0001	1	Hopper Partition, Long
34	36053.0002	1	Hopper Partition, Short
			} Optional
35	40616.0000	2	Cover, Sensor Coil

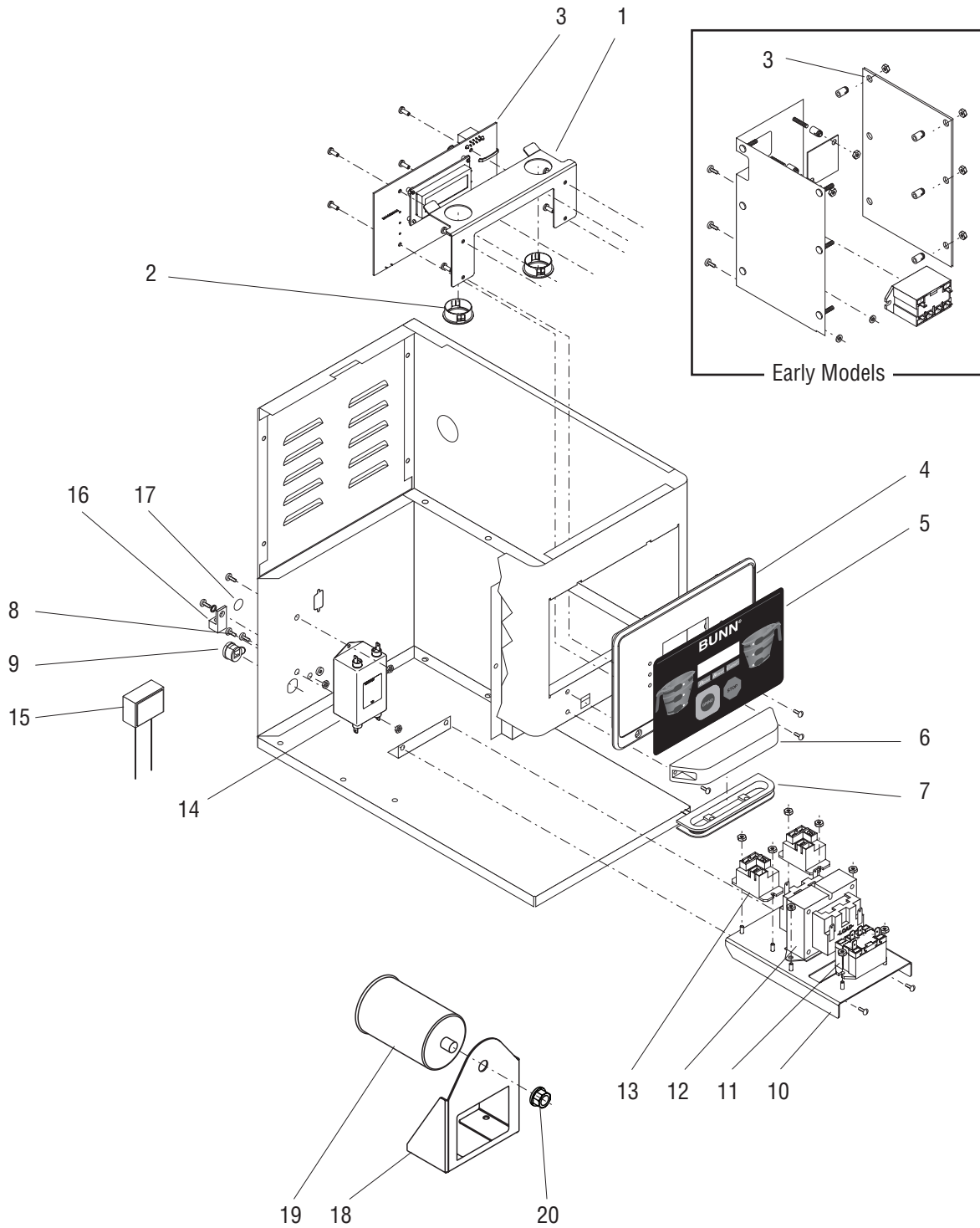
* Indicates the part number listed is for reference only. See DESCRIPTION for possible service replacement.



MOTOR, BURR HOUSING AND MOUNTING PLATE

ITEM	PART NO.	QTY.	DESCRIPTION
1	11029.1005	1	Motor Assy 120V (Includes item 2 & 3)
	11029.1006	1	Motor Assy 230V 60Hz (Includes item 2 & 3)(Without Run Capacitor)
	11029.1007	1	Motor Assy 230V 50Hz (Includes item 2 & 3)(With Run Capacitor)
	01359.0000	2	Screw, Flat Head #8-32 x .38" (Start Capacitor Mounting)
2	05870.0000	1	Bushing, Bronze
3	11191.0001	1	Shaft Extension
4	11180.0000	1	Burr Housing
	02313.0000	4	Screw, Hex Head .38"-16 x 1.0"
5	05861.1002	1	Burr Set (Includes 2 Burrs and Screws below)
	11285.1000	1	Burr Set, Turkish Grind (Includes 2 Burrs and Screws below)
	02314.0000	4	Screw, Pan Head .25"-20 x .50"
6	11192.0000	1	Spring
7	11185.0001	1	Burr Auger Rotor/Spring Assy (Includes item 6)
8	05852.0001	1	Shear Plate
9	00622.0001	1	Cup, Burr Rotor (Heavy Duty)
10	05867.0000	1	Cap, Burr Housing
	20631.0000	2	Screw, Slotted Hex Head .25"-20 x .75"
11	35184.0000	1	Adjusting Screw
12	34107.0000	1	Cap, Indicator Adjustment
13	34213.0000	1	Decal, Burr Adjustment
14	05951.0001	1	Chute
	02330.0001	4	Screw, Slotted Hex Head #10-24 x .375"
15	11176.0005	1	Pin
	11177.0000	2	Lockring
16	05995.0000	1	Dechaffer Plate
	02327.0002	2	Screw, Pan Head #4-40 x .312"
17	05954.0000	1	Dechaffer Assy (Includes item 16)
	02328.0002	1	Screw, Pan Head #6-32 x .188"
18	41480.0000	1	Thumbscrew
	01518.0000	1	Washer
19	01539.0000	8	Washer, Flat
20	05881.0000	4	Bushing
21	05882.0000	4	Washer 1.50" Dia.
22	02312.0000	4	Screw, Hex Washer Head .312"-18 x 1.50"
	00987.0000	4	Nut, Lock .312"-18
23	35769.0002*	1	Plate, Motor Mounting
	02311.0000	6	Screw, Hex Washerhead #10-32 x .50"
24	00971.0000	1	Grounding Nut, Keps #10-32
	01522.0000	1	Washer
25	00718.0000	1	Bushing 1.125" Dia. Hole

* Indicates the part number listed is for reference only. See DESCRIPTION for possible service replacement.



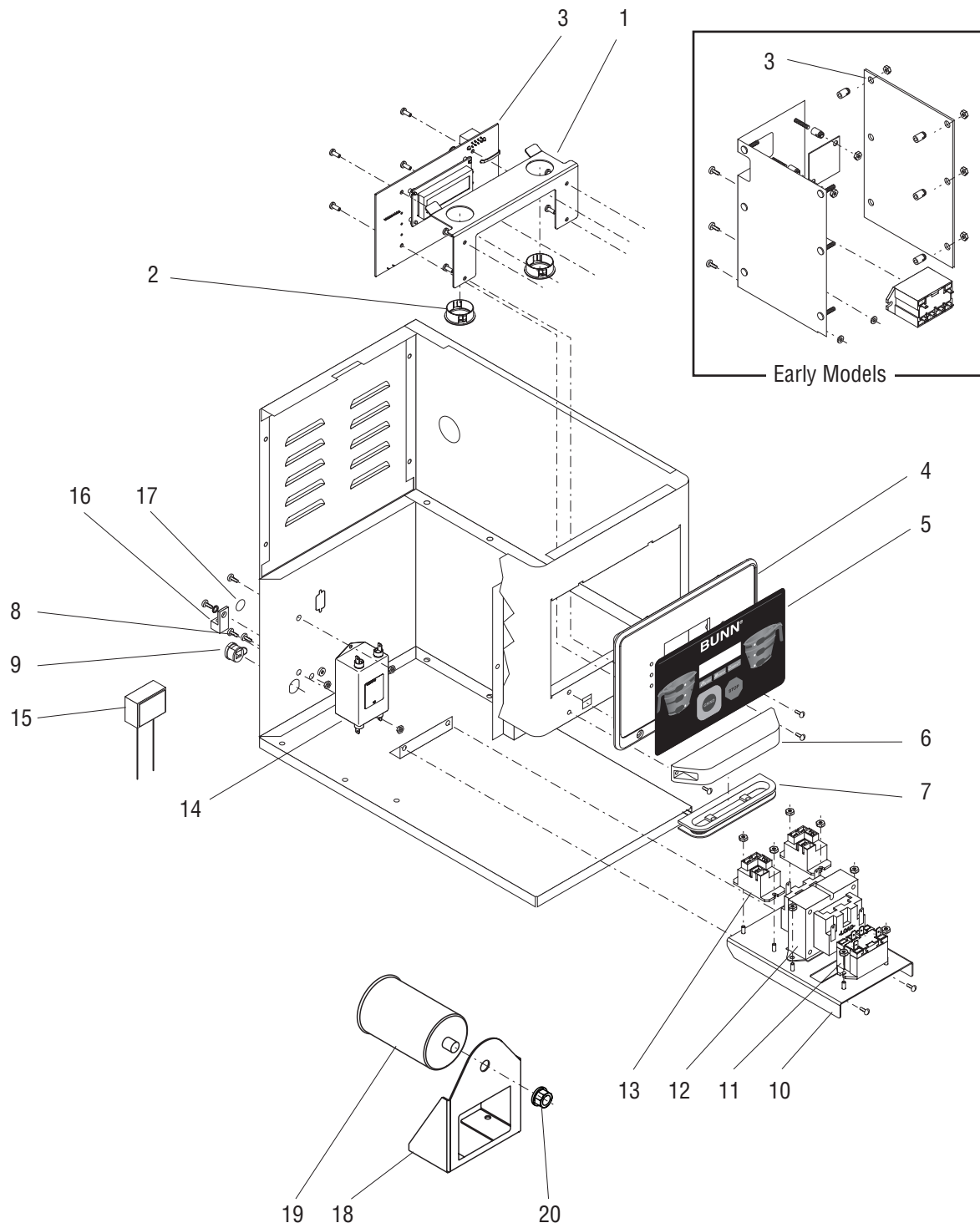
ELECTRICAL CONTROLS

ITEM	PART NO.	QTY.	DESCRIPTION
1	46327.0000	1	Bracket
	01383.0001	4	Screw, Pan Head #8-32 x .38"
2	00718.0000	2	Plug
3	46401.0000	1	CBA, Replacement Kit, 120V (Early Models)
	46401.0001	1	CBA, Replacement Kit, 230V (Early Models)
	41768.1001	1	CBA, MHG (Late Models)
	01383.0001	4	Screw, Pan Head #8-32 x .38"
4	35770.0000	1	Bezel
	01347.0002	2	Screw, Truss Head Blk #6-32 x .38"
5	35574.0000	1	Membrane Switch
6	33303.0000	1	Cover, Sensing Coil
	01347.0002	2	Screw, Truss Head Blk #6-32 x .38"
7	33302.0000	1	Sensing Coil, Grinder
8	01327.0000	1	Screw, Ground Pan Head SST #10-32 x .38"
	00991.0003	1	Nut, Elastic Lock #10-32
9	01686.0000	1	Bushing, Strain Relief 120V
	28683.0000	1	Bushing, Strain Relief 230V
10	45145.0000	1	Bracket
	01311.0000	2	Screw, Truss Head #8-32 x .25"
	01516.0000	2	Washer, Screw Retaining #8
11	37711.0003	1	Relay
	00973.0000	2	Nut, Keps #6-32
12	27644.0002	1	Transformer 120V
	27644.0003	1	Transformer 230V
	00973.0000	2	Nut, Keps #6-32
13	32104.0000	2	Relay
	00973.0000	4	Nut, Keps #6-32
14	36801.0001	1	EMI Filter 230V (Early Models)
	01347.0000	2	Screw
	00991.0002	2	Nut
15	34808.0008	1	Capacitor, EMI Filter 230V (Late Models)
16	27705.0000	1	Terminal Lug (Late Models)
	01327.0000	1	Screw
	01502.0000	1	Lockwasher
17	00824.0001	1	Decal, Potentiometer (Late Models)
18	35233.0002	1	Bracket
19	35906.0003	1	Capacitor, Motor Run
20	24050.0400	1	Nut

(Continued)

* Indicates the part number listed is for reference only. See DESCRIPTION for possible service replacement.

(Continued)



ELECTRICAL CONTROLS

ITEM	PART NO.	QTY.	DESCRIPTION
Note: The following items are not illustrated			
21	41798.0000	1	Wiring Harness, Power
22	41799.0000	1	Wiring Harness, Control
23	36372.0003	1	Wiring Harness, Read/Write Coil
24	40701.0012	1	Cord Assy, Power 120V
	33529.0006	1	Cord Assy, Power 230V
25	35260.0000	2	Cable Mount
26	36371.0000	1	Wiring Harness, Slide Gate (Early Model Solenoids w/o Leads)
	36371.0001	1	Wiring Harness, Slide Gate (Late Model Solenoids w/ Leads)
27	45723.0000	1	Wiring Harness, EMI Filter 230V (Early Models)
28	21003.0421	1	Lead, Start Capacitor to Run Capacitor (Late Models)

* Indicates the part number listed is for reference only. See DESCRIPTION for possible service replacement.

NUMERICAL INDEX

PART NO.	PAGE NO.	PART NO.	PAGE NO.	PART NO.	PAGE NO.	PART NO.	PAGE NO.
00622.0001.....	11	05939.0012.....	7	35766.0000.....	5		
00718.0000.....	11,13	05951.0001.....	11	35766.0001.....	5		
00824.0001.....	13	05954.0000.....	11	35769.0000.....	11		
00824.0002.....	5	05995.0000.....	11	35770.0000.....	13		
00971.0000.....	11	11029.1005.....	11	35771.1000.....	7		
00973.0000.....	13	11029.1006.....	11	35771.1002.....	7		
00987.0000.....	11	11029.1007.....	11	35816.0000.....	9		
00991.0002.....	13	11176.0005.....	11	35817.0000.....	7		
00991.0003.....	13	11177.0000.....	11	35818.0000.....	7		
01308.0000.....	5	11180.0000.....	11	35843.1000.....	5		
01311.0000.....	13	11185.0001.....	11	35843.1001.....	5		
01311.0001.....	7	11191.0001.....	11	35858.0003.....	7		
01317.0000.....	5	11192.0000.....	11	35861.0000.....	9		
01317.0003.....	7	11285.1000.....	11	35862.0000.....	9		
01326.0008.....	5	20545.0000.....	5	35874.0001.....	7		
01327.0000.....	13	20631.0000.....	11	35875.0000.....	7		
01338.0000.....	7	21003.0421.....	15	35906.0003.....	13		
01347.0000.....	13	21457.0001.....	9	35909.0000.....	7		
01347.0002.....	13	23917.0000.....	7	35909.0001.....	7		
01359.0000.....	11	23919.0000.....	9	35910.0002.....	9		
01382.0002.....	5	23922.0000.....	7	36053.0001.....	9		
01382.0007.....	7	23923.0000.....	7	36053.0002.....	9		
01383.0000.....	7,9	24050.0400.....	13	36335.0000.....	7		
01383.0001.....	13	24224.0000.....	7	36371.0000.....	15		
01502.0000.....	13	25126.0000.....	5	36371.0001.....	15		
01516.0000.....	13	26033.0001.....	9	36372.0003.....	15		
01518.0000.....	11	27644.0002.....	13	36389.0000.....	9		
01522.0000.....	11	27644.0003.....	13	36425.0003.....	9		
01539.0000.....	11	27705.0000.....	13	36553.0000.....	7		
01686.0000.....	13	28683.0000.....	13	36632.0000.....	5		
02311.0000.....	5,11	29699.1000.....	7	36632.0001.....	5		
02312.0000.....	11	32104.0000.....	13	36711.0000.....	9		
02313.0000.....	11	32561.0000.....	5	36801.0001.....	13		
02314.0000.....	11	32568.0001.....	5	36845.0000.....	7		
02327.0002.....	11	32569.0001.....	5	37711.0003.....	13		
02328.0002.....	11	32570.0000.....	5	37881.0000.....	5		
02330.0001.....	11	32572.1000.....	7	39586.1000.....	5		
02858.0001.....	9	33144.0000.....	7	40616.0000.....	9		
02999.0000.....	5	33302.0000.....	13	40701.0012.....	15		
05852.0001.....	11	33303.0000.....	13	41480.0000.....	11		
05867.0000.....	11	33529.0006.....	13	41768.1001.....	13		
05870.0000.....	11	34107.0000.....	11	41798.0000.....	15		
05876.0000.....	7	34213.0000.....	11	41799.0000.....	15		
05881.0000.....	11	34808.0008.....	13	44646.0001.....	7		
05882.0000.....	11	35184.0000.....	11	45145.0000.....	13		
05884.0000.....	5	35233.0002.....	13	45151.0000.....	5		
05917.0006.....	7	35260.0000.....	15	45723.0000.....	15		
05917.0007.....	7	35574.0000.....	13	46327.0000.....	13		
05917.0009.....	7	35732.0000.....	7	46401.0000.....	13		
05917.0010.....	7	35740.0001.....	5	46401.0001.....	13		
05917.0011.....	7	35740.0002.....	5				
05939.0008.....	7	35741.0000.....	5				
05939.0009.....	7	35762.0000.....	7				
05939.0010.....	7	35765.1001.....	5				
05939.0011.....	7	35765.1003.....	5				