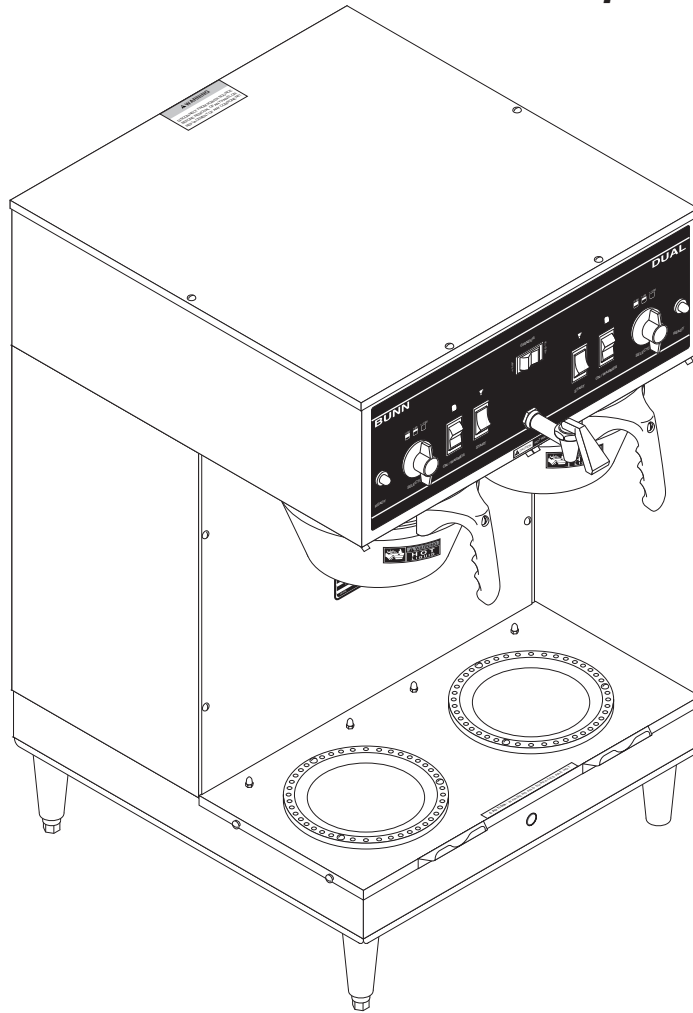


BUNN®

DUAL™

prior to S/N DUAL010000



ILLUSTRATED PARTS CATALOG

Designs, materials, weights, specifications, and dimensions for equipment or replacement parts are subject to change without notice.

BUNN-O-MATIC CORPORATION

POST OFFICE BOX 3227

SPRINGFIELD, ILLINOIS 62708-3227

PHONE: (217) 529-6601 FAX: (217) 529-6644

WARRANTY

Bunn-O-Matic Corp. ("Bunn") warrants the equipment manufactured by it to be commercially free from defects in material and workmanship existing at the time of manufacture and appearing within one year from the date of installation. In addition:

1.) Bunn warrants electronic circuit and/or control boards to be commercially free from defects in material and workmanship for three years from the date of installation.

2.) Bunn warrants the compressor on refrigeration equipment to be commercially free from defects in material and workmanship for two years from the date of installation.

3.) Bunn warrants that the grinding burrs on coffee grinding equipment will grind coffee to meet original factory screen sieve analysis for three years from date of installation or for 30,000 pounds of coffee, whichever comes first.

This warranty does not apply to any equipment, component or part that was not manufactured by Bunn or that, in Bunn's judgement, has been affected by misuse, neglect, alteration, improper installation or operation, improper maintenance or repair, damage or casualty.

THE FOREGOING WARRANTY IS EXCLUSIVE AND IS IN LIEU OF ANY OTHER WARRANTY, WRITTEN OR ORAL, EXPRESS OR IMPLIED, INCLUDING, BUT NOT LIMITED TO, ANY IMPLIED WARRANTY OF EITHER MERCHANTABILITY OR FITNESS FOR A PARTICULAR PURPOSE. The agents, dealers or employees of Bunn are not authorized to make modifications to this warranty or to make additional warranties that are binding on Bunn. Accordingly, statements by such individuals, whether oral or written, do not constitute warranties and should not be relied upon.

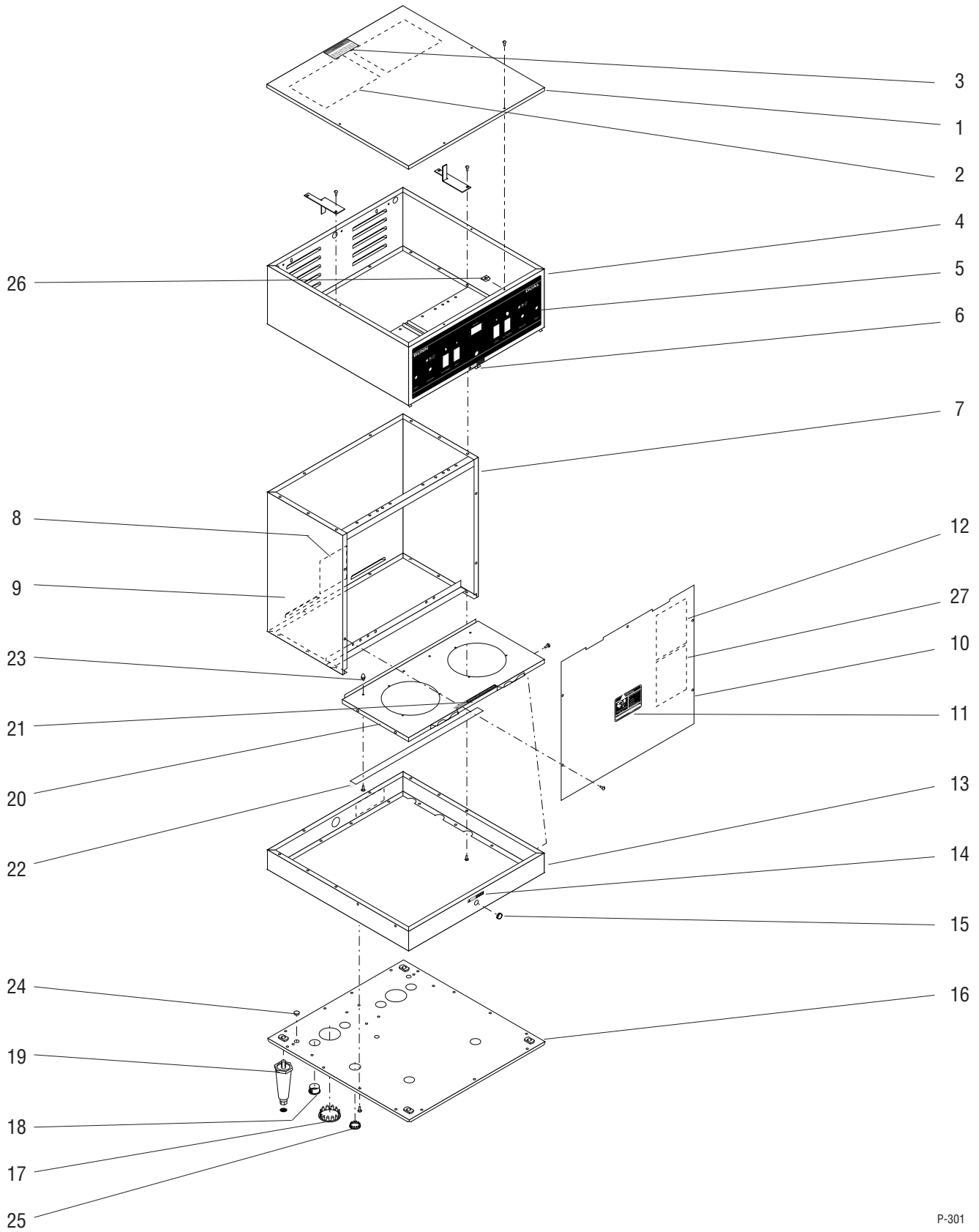
The Buyer shall give Bunn prompt notice of any claim to be made under this warranty by telephone at (217) 529-6601 or by writing to Post Office Box 3227, Springfield, Illinois, 62708-3227. If requested by Bunn, the Buyer shall ship the defective equipment prepaid to an authorized Bunn service location. If Bunn determines, in its sole discretion, that the equipment does not conform to the warranty, Bunn shall repair the equipment with no charge for parts during the warranty period and no charge for labor by a Bunn Authorized Service Representative during the warranty period. If Bunn determines that repair is not feasible, Bunn shall, at its sole option, replace the equipment or refund the purchase price for the equipment.

THE BUYER'S REMEDY AGAINST BUNN FOR THE BREACH OF ANY OBLIGATION ARISING OUT OF THE SALE OF THIS EQUIPMENT, WHETHER DERIVED FROM WARRANTY OR OTHERWISE, SHALL BE LIMITED, AS SPECIFIED HEREIN, TO REPAIR OR, AT BUNN'S SOLE OPTION, REPLACEMENT OR REFUND.

In no event shall Bunn be liable for any other damage or loss, including, but not limited to, lost profits, lost sales, loss of use of equipment, claims of Buyer's customers, cost of capital, cost of down time, cost of substitute equipment, facilities or services, or any other special, incidental or consequential damages.

TABLE OF CONTENTS

Base - Trunk - Hood - Covers & Panels	4
Dispense Valve and Sprayhead	26
Electrical Controls & Ready Light	30
Faucet - Upper & Lower	28
Funnels	36
Numerical Index	38
Single Set Timers & Electronic Control	12
Single Set Timers & Mechanical Thermostat	8
Strainer/Flow Control - Solenoid & Lines	20
Tank and Mounting Brackets	18
Tank Heater & Safety Devices	16
Triple Set Timers & Electronic Control	14
Triple Set Timers & Mechanical Thermostat	10
Warmer Assemblies	34
Water By-Pass (Mechanical & Electro/Mechanical)	24

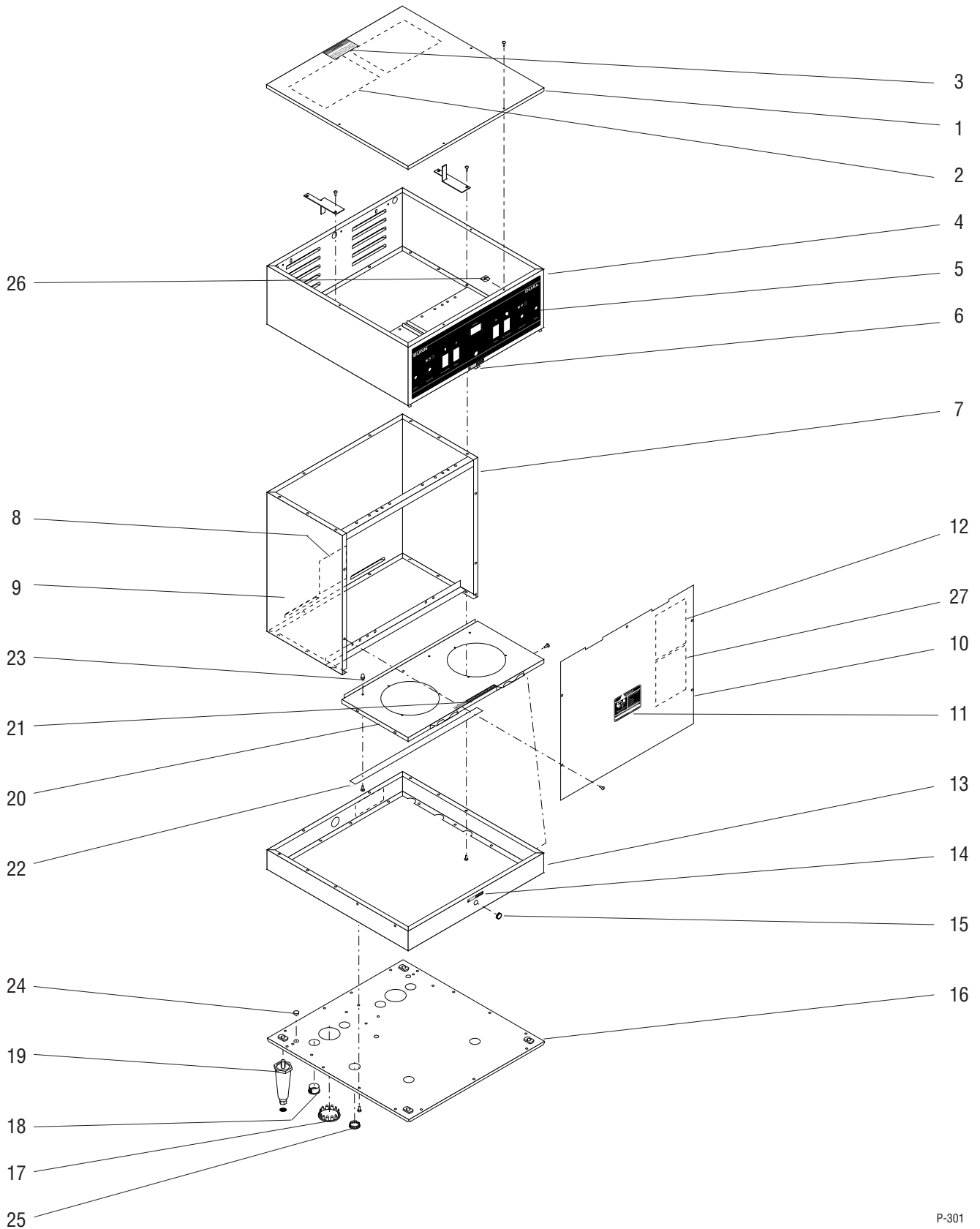


BASE - TRUNK - HOOD - COVERS & PANELS

ITEM	PART NO.	QTY.	DESCRIPTION	
1	25376.0000	1	Cover Assy, Top (Includes items 2 & 3)	
	02336.0000	4	Screw, Truss Head 4 - 40 x .38"	
2	25151.0000	2	Shield, Insulator	
3	10044.0000	1	Decal, Shut Off Power	
4	22313.0000	1	Hood W/Decals (W/O Upper Faucet)	} Includes items 5 & 6
	22313.0001	1	Hood W/Decals (W/O Upper Faucet & W/O Selector Switches)	
	22313.0002	1	Hood W/Decals (W/Upper Faucet & Selector Switches)	
	22313.0003	1	Hood W/Decals (W/Upper Faucet - W/O Selector Switches)	
	22313.0004	1	Hood W/Decals (W/Upper Faucet - W/one Grinder Interface)(Shown)	
	22313.0005	1	Hood W/Decals (W/O Upper Faucet - W/one Grinder Interface)	
	02308.0000	16	Screw, Pan Head 8 - 32 x .375"	
5	20966.0000	1	Decal, Control Panel (W/O Upper Faucet)	
	20966.0001	1	Decal, Control Panel (W/O Upper Faucet & W/O Selector Switches)	
	20966.0002	1	Decal, Control Panel (W/Upper Faucet & Selector Switches)	
	20966.0003	1	Decal, Control Panel (W/Upper Faucet - W/O Selector Switches)	
	20966.0004	1	Decal, Control Panel (W/Upper Faucet - W/one Grinder Interface)(Shown)	
	20966.0005	1	Decal, Control Panel (W/O Upper Faucet - W/one Grinder Interface)	
6	20201.5600	1	Decal, Caution Hot Water	
7	24396.0000	1	Trunk W/Decals (120V)	} Includes item 9
	24396.0001	1	Trunk W/Decals (120/240V, 200V & 230V)	
8	00656.0000	1	Decal, Comply to Plumbing Code	
9	00831.0000	1	Decal, Warning - Electrical	
10	22314.0000	1	Panel W/Decals, Trunk (200V & 230V) (Includes items 11)	} Includes items 11 & 12
	22314.0001	1	Panel W/Decals, Trunk (W/Mech. Thermostat)	
	22314.0002	1	Panel W/Decals, Trunk (W/Electronic Control)	
	22314.0003	1	Panel W/Decals, Trunk (W/Single Interface & Mech. Thermostat)	
	22314.0004	1	Panel W/Decals, Trunk (W/Single Interface & Electronic Control)	
	01382.0003	5	Screw, Truss Head 6 - 32 x .375"	
11	00658.0000	1	Decal, Caution - Decanter/Funnel	
12	10567.0000	1	Schematic (120V & 120/240V W/Mechanical Thermostat)	
	10567.0002	1	Schematic (120/240V W/Electronic Control)	
	10567.0004	1	Schematic (120V & 120/240V W/one Grinder Interface & Mechanical Thermostat)	
	10567.0005	1	Schematic (120/240V W/one Grinder Interface & Electronic Control)	
13	24458.0000	1	Base W/Decal (Includes items 8,14 & 15)	
	02308.0000	8	Screw, Pan Head 8 - 32 x .375"	
14	20201.5600	1	Decal, Caution Hot Water	
15	00619.0007	1	Plug, Hole .50" Dia. (Not used W/Lower Faucet)	
16	20916.0000	1	Cover, Bottom	
	02308.0000	12	Screw, Pan Head 8 - 32 x .375"	
17	00619.0008	2	Plug, Hole 2.0" Dia.	
18	03011.0000	6	Plug, Vent 1.0" Dia.	

(continued)

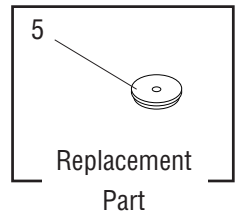
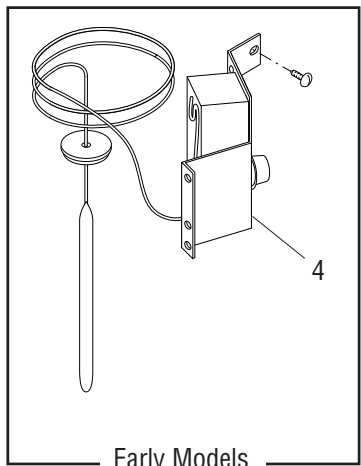
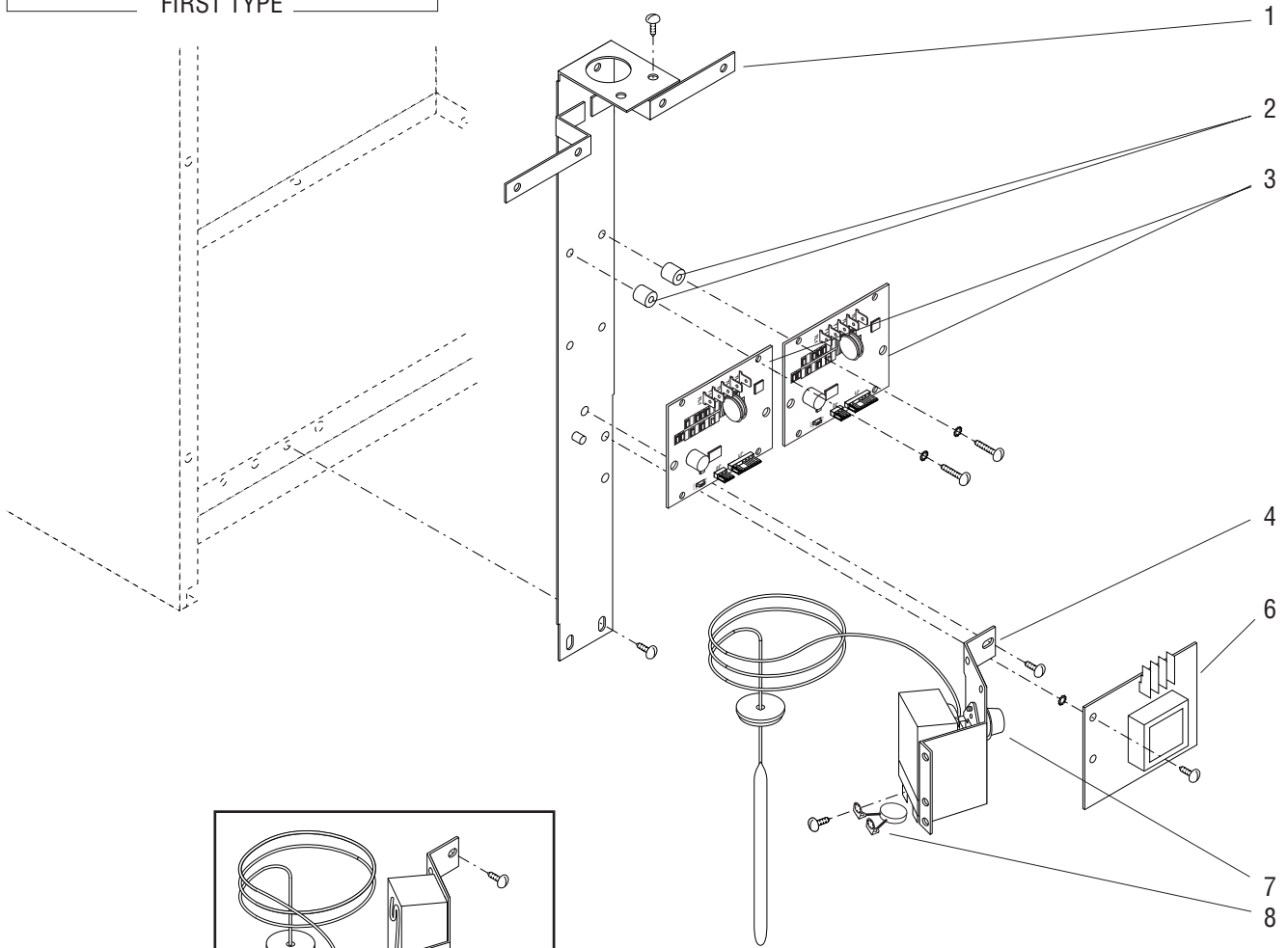
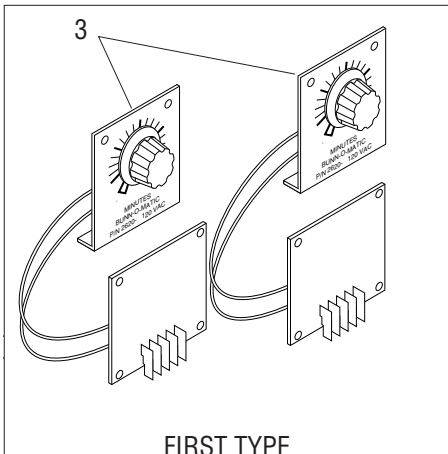
(continued)



P-301

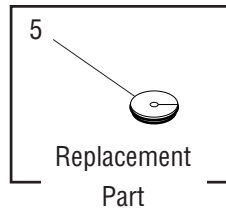
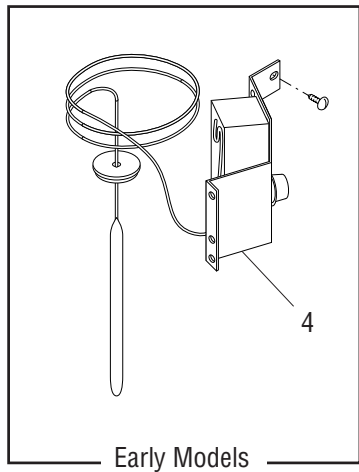
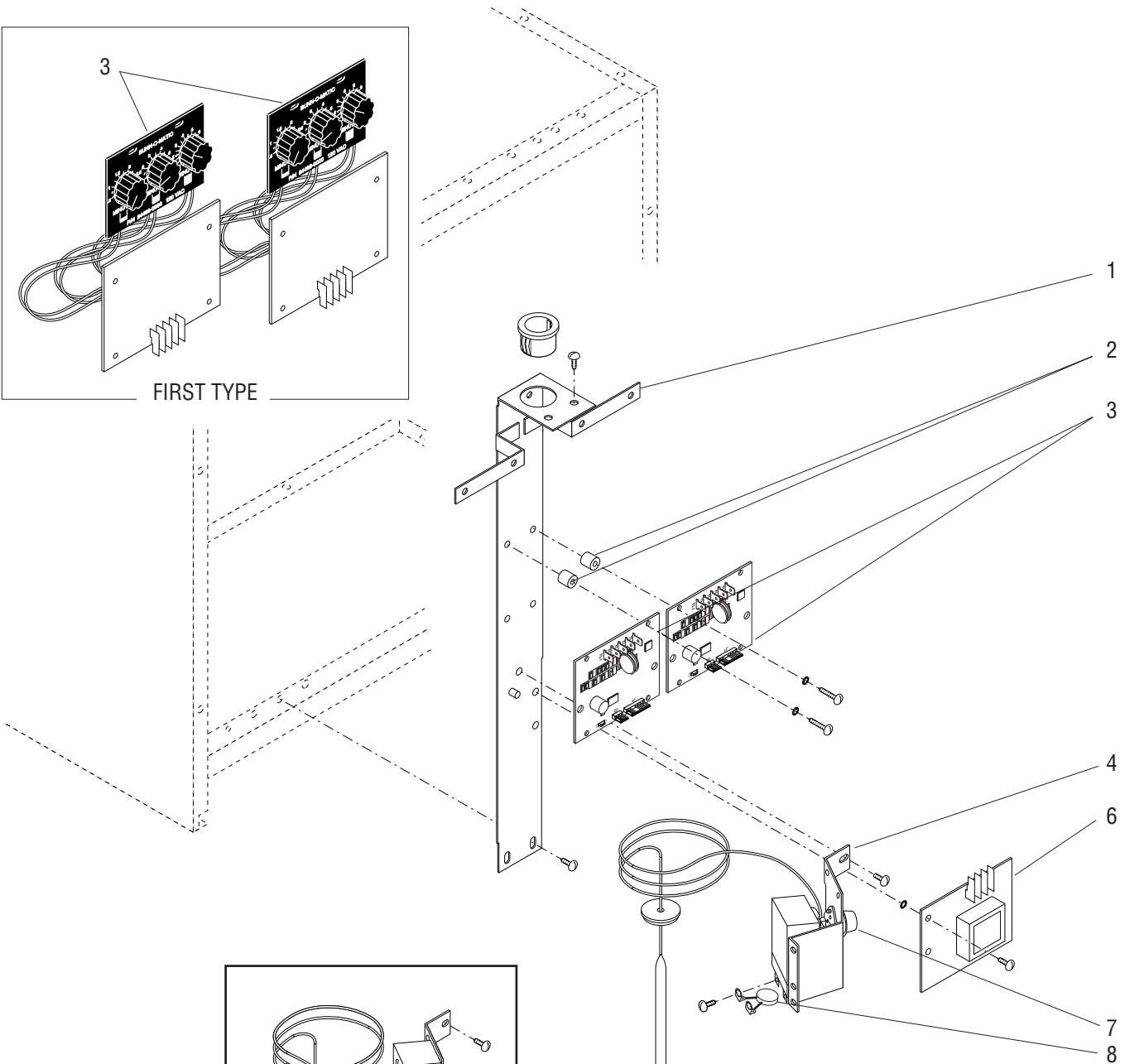
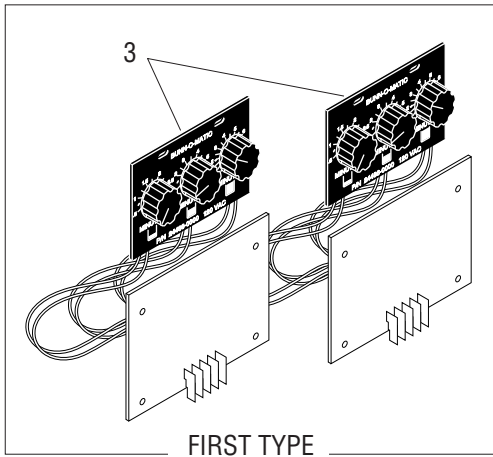
BASE - TRUNK - HOOD - COVERS & PANELS

ITEM	PART NO.	QTY.	DESCRIPTION
19	03359.0000	4	Leg, 4.0" Plastic (Shown)
	00502.0000	4	Leg, 4.0" Nickel
	00506.0000	4	Leg, 8.0" SST
20	24455.0004	1	Warmer Panel Assy W/Decal (Includes items 21, 22, 23 & 01311.0000 Screws)
	01382.0003	4	Screw, Truss Head 6 - 32 x .375"
21	12364.0000	1	Decal, Caution-Warmers are Hot
22	21106.0000	1	Angle, Support
	01311.0000	4	Screw, Truss Head 8 - 32 x .25"
23	02324.0000	4	Nut, Acorn 8 - 32
24	00671.0000	2	Plug, Hole .312" Dia.
25	00619.0005	1	Plug, Hole 1.06" Dia.
26	00916.0000	4	Clip, J-Type #4-40
27	32540.0000	1	Decal, Timer Setting Instruction



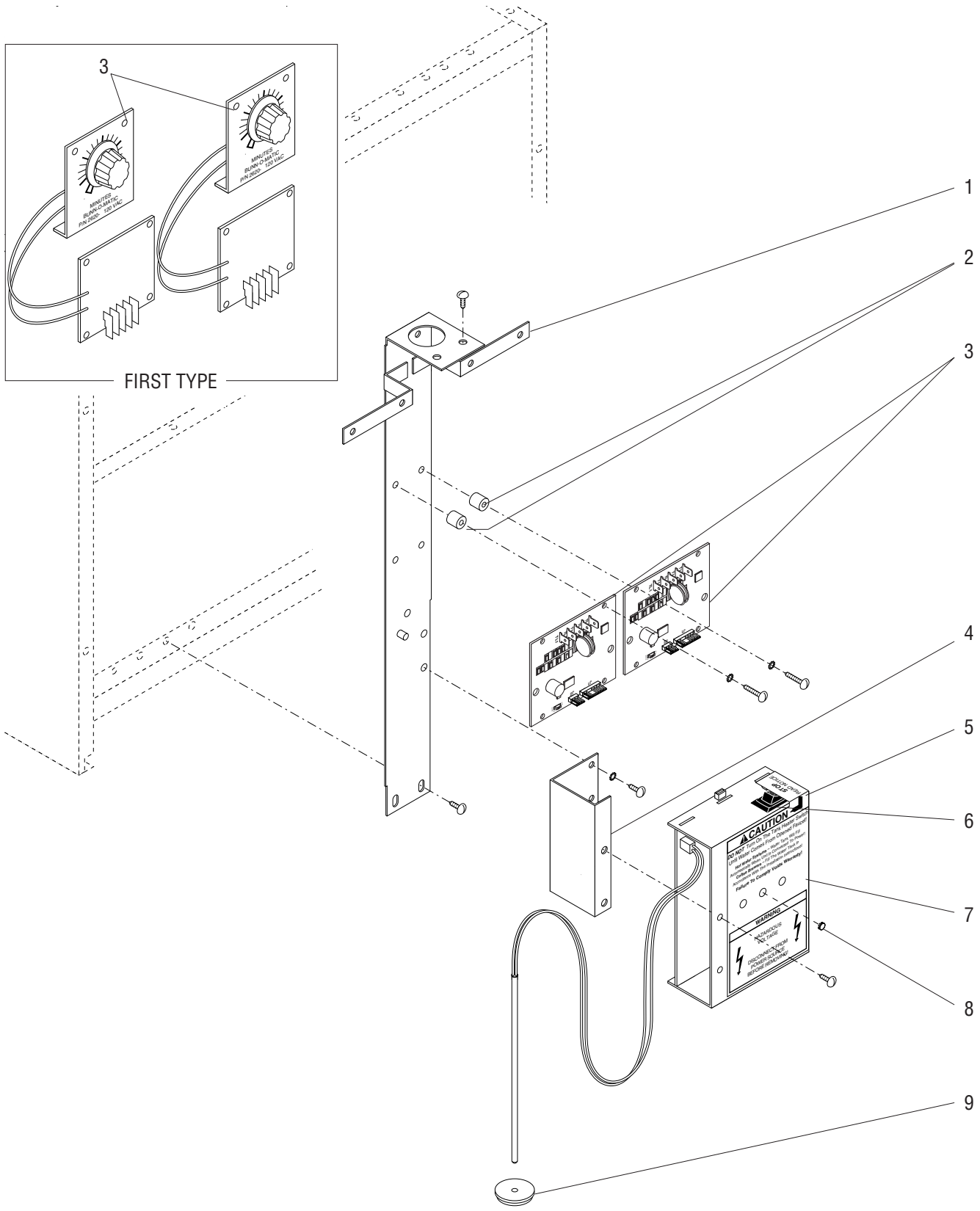
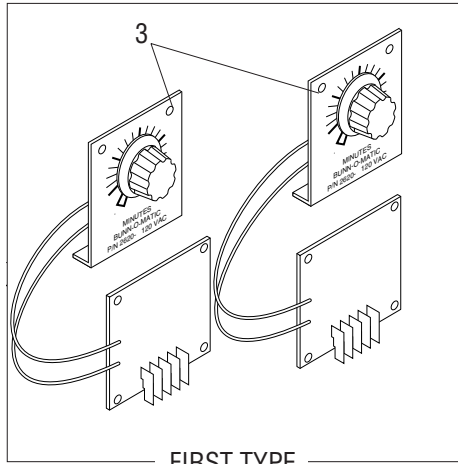
SINGLE SET TIMERS & MECHANICAL THERMOSTAT

ITEM	PART NO.	QTY.	DESCRIPTION
1	20948.0001	1	Bracket, Component Mounting
	02308.0000	4	Screw, Pan Head #8 - 32 x .375"
2	01533.0000	4	Spacer, Nylon .375"
3	02620.1040	2	Timer, 8 Min. 120V } — First Type
	02620.1041	2	
	32400.0002	2	Timer, Digital 120V } — Second Type
	32400.0003	2	
	01347.0000	4	Screw, Truss Head #6 - 32 x .375" (Not used with Digital Timer)
	01510.0000	4	Lockwasher, External Tooth #6
	01388.0000	4	Screw, Truss Head #6 - 32 x .75"
	4	04314.0001	1
02308.0000		1	Screw, Pan Head #8 - 32 x .375"
20762.0000		2	Screw, Binding Head #8-32 x .25" (Terminal Screw)
5	07073.0000	1	Grommet, Thermostat
6	07074.1026	1	Control Board, Level (120/208V & 120/240V models)
	07074.1027	1	Control Board, Level (200V & 240V models)
	02308.0000	2	Screw, Pan Head #8 - 32 x .375"
	01511.0000	2	Lockwasher, External Tooth #8
7	00720.0000	1	Knob, Thermostat
8	28377.0000	1	Noise Suppressor (Not used with Digital Timer)



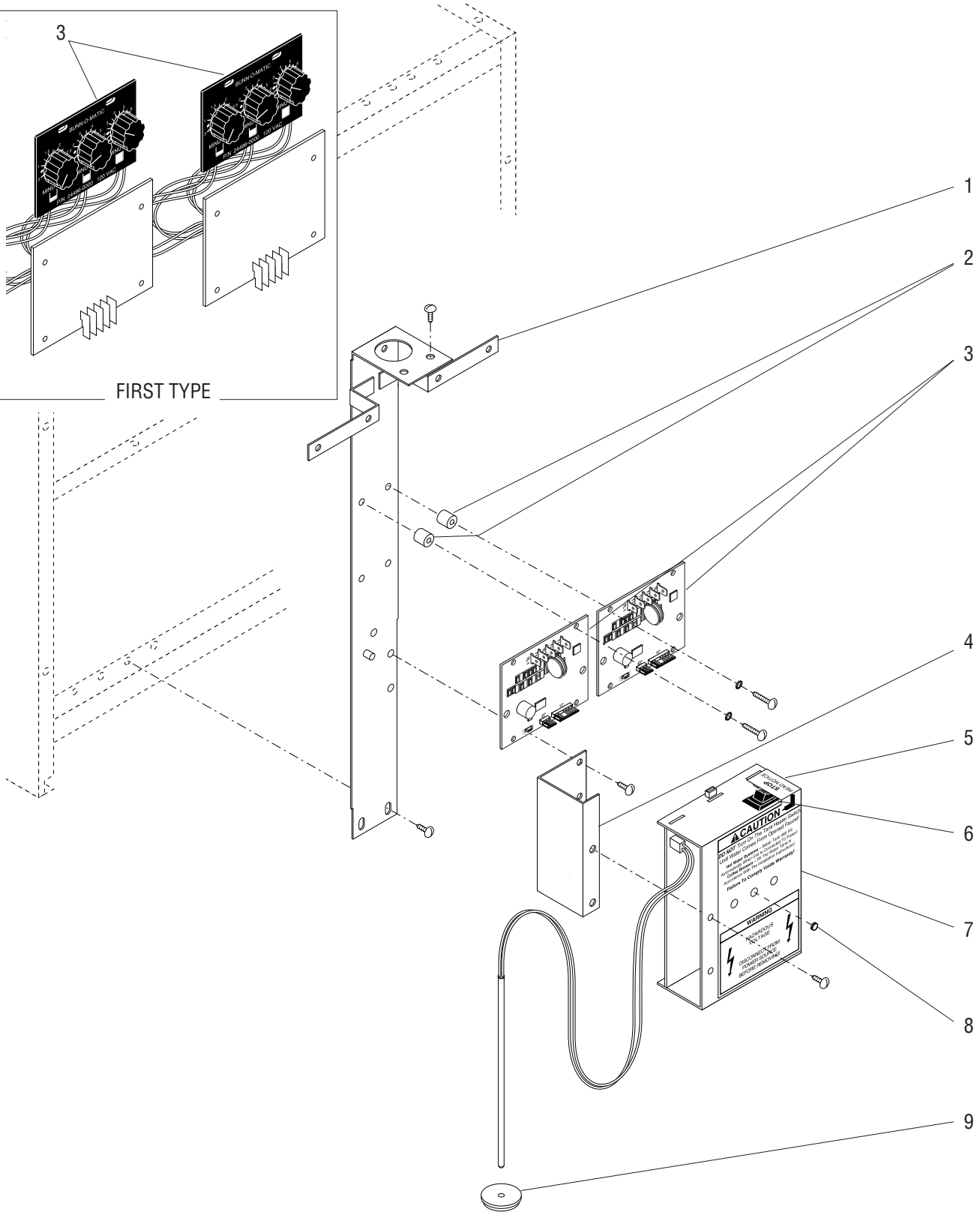
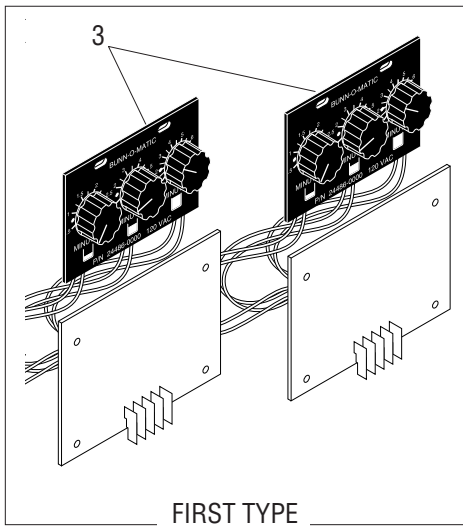
TRIPLE SET TIMERS & MECHANICAL THERMOSTAT

ITEM	PART NO.	QTY.	DESCRIPTION	
1	20948.0001	1	Bracket, Component Mounting	
	02308.0000	4	Screw, Pan Head 8 - 32 x .375"	
2	01533.0000	4	Spacer, Nylon .375"	
3	24486.1000	2	Timer, Triple (120/208V & 120/240V models)	} First Type
	24486.1001	2		
	32400.0002	2	Timer, Digital (120V)	} Second Type
	32400.0003	2		
	01347.0000	4	Screw, Truss Head 6 - 32 x .375" (Not used with Digital Timer)	
	01510.0000	4	Lockwasher, External Tooth #6	
	01388.0000	4	Screw, Truss Head 6 - 32 x .75"	
4	04314.0001	1	Thermostat Assy (Includes items 5,7 & 8)(Late Models)(Also replaces early model thermostat)	
	02308.0000	1	Screw, Pan Head #8 - 32 x .375"	
	20762.0000	2	Screw, Binding Head #8-32 x .25" (Terminal Screw)	
5	07073.0000	1	Grommet, Thermostat	
6	07074.1026	1	Control Board, Level (120/208V & 120/240V models)	
	07074.1027	1	Control Board, Level (200V & 240V models)	
	02308.0000	2	Screw, Pan Head #8 - 32 x .375"	
	01511.0000	2	Lockwasher, External Tooth #8	
7	00720.0000	1	Knob, Thermostat	
8	28377.0000	1	Noise Suppressor (Not used with Digital Timer)	



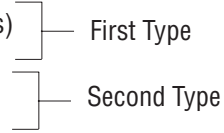
SINGLE SET TIMERS & ELECTRONIC CONTROL

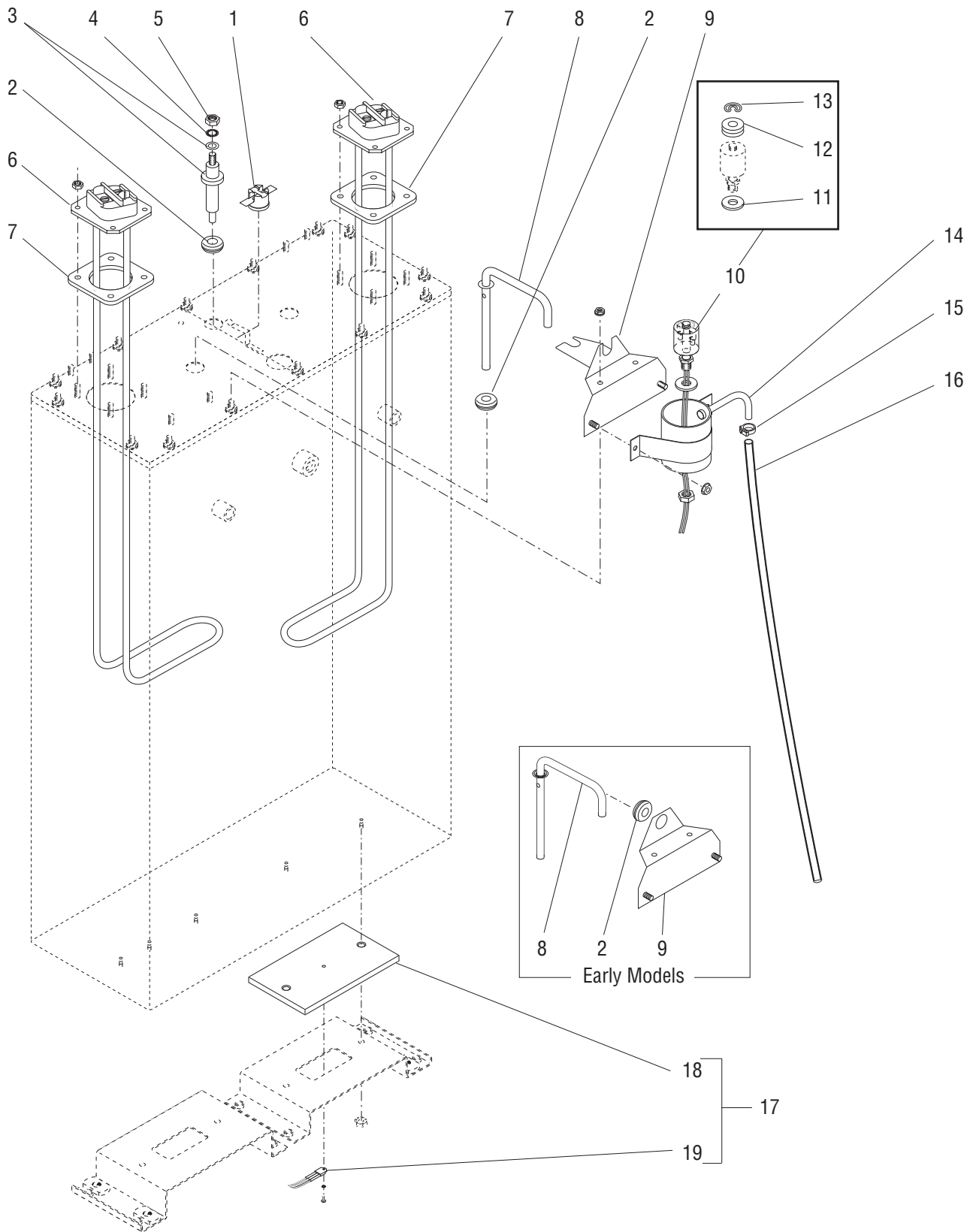
ITEM	PART NO.	QTY.	DESCRIPTION
1	20948.0001	1	Bracket, Component Mounting
	02308.0000	4	Screw, Pan Head 8 - 32 x .375"
2	01533.0000	4	Spacer, Nylon .375"
3	02620.1040	2	Timer, 8 Min. 120V (Shown)] First Type
	02620.1041	2	Timer, 8 Min. 240V]
	32400.0002	2	Timer, Digital (120V)] Second Type
	32400.0003	2	Timer, Digital (240V)]
	01347.0000	4	Screw, Truss Head 6 - 32 x .375" (Not used with Digital Timer)
	01510.0000	4	Lockwasher, External Tooth #6
	01388.0000	4	Screw, Truss Head 6 - 32 x .75"
4	21122.0000	1	Bracket, Electronic Control Mounting
	02308.0000	2	Screw, Pan Head 8 - 32 x .375"
5	12560.0015	1	Control Assy, Electronic (Includes items 6 thru 9)
	02308.0000	2	Screw, Pan Head 8 - 32 x .375"
6	04786.0002	1	Switch, On/Off
7	12559.0000	1	Decal, Caution/Warning
8	00619.0002	1	Plug, Hole .250" Dia.
9	12570.0000	1	Grommet, Temp. Sensor



TRIPLE SET TIMERS & ELECTRONIC CONTROL

ITEM	PART NO.	QTY.	DESCRIPTION
1	20948.0001	1	Bracket, Component Mounting
	02308.0000	4	Screw, Pan Head 8 - 32 x .375"
2	01533.0000	4	Spacer, Nylon .375"
3	24486.1000	2	Timer, Triple (120/208V & 120/240V models)
	24486.1001	2	Timer, Triple (200V - 240V)
	32400.0002	2	Timer, Digital (120V)
	32400.0003	2	Timer, Digital (240V)
	01347.0000	4	Screw, Truss Head 6 - 32 x .375" (Not used with Digital Timer)
	01510.0000	4	Lockwasher, External Tooth #6
	01388.0000	4	Screw, Truss Head 6 - 32 x .75"
4	21122.0000	1	Bracket, Electronic Control Mounting
	02308.0000	2	Screw, Pan Head 8 - 32 x .375"
5	12560.0015	1	Control Assy, Electronic (Includes items 6 thru 9)
	02308.0000	2	Screw, Pan Head 8 - 32 x .375"
6	04786.0002	1	Switch, On/Off
7	12559.0000	1	Decal, Caution/Warning
8	00619.0002	1	Plug, Hole .250" Dia.
9	12570.0000	1	Grommet, Temp. Sensor



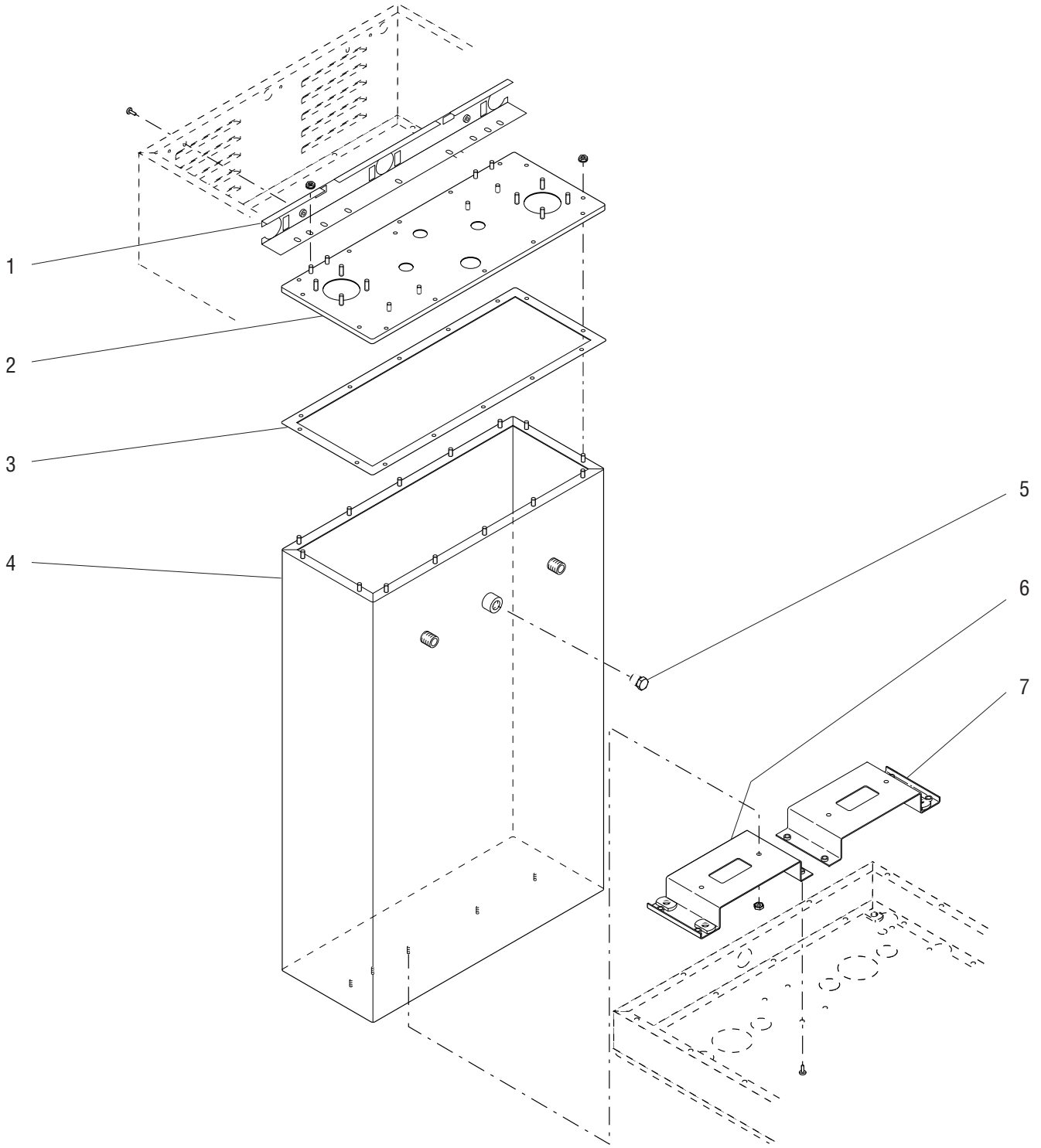


TANK HEATER & SAFETY DEVICES

ITEM	PART NO.	QTY.	DESCRIPTION
1	29329.1000	1	Thermostat, Limit
2	02536.0000	3	Grommet .375" I.D.
3	20936.1000	1	Probe Kit (Includes item 5 & 01501.0000 Washer)
	01501.0000	1	Washer .164" I.D. x .375" O.D.
4	20203.0100	1	Lockwasher, Internal Tooth #8
5	00908.0000	1	Nut, Hex 8 - 32
6	20922.1000	2	Tank Heater, 3300W @ 240V
	20922.1001	2	Tank Heater, 1650W @ 120V
	20922.1002	2	Tank Heater, 2850W @ 208V
	00908.0000	8	Nut, Hex 8 - 32
7	12398.0000	2	Gasket, Tank Heater
8	-----	1	Tube Assy, Vent (First Type, not available. Order Second Type)
	26622.0001	1	Tube Assy, Vent (Second Type)
9	-----	1	Bracket, Overflow Cup Mounting (First Type, not available. Order Second Type)
	26619.0000	1	Bracket, Overflow Cup Mounting (Second Type)
10	03803.0000	1	Switch Assy, Liquid Level (Includes items 11, 12 & 13)
	00946.0000	1	Nut, Hex .125" FPT
11	03633.0000	2	Gasket, Float Switch (Only 1 used in this application)
12	-----	3	Washer, Adjusting (DO NOT USE IN THIS APPLICATION)
13	03807.0000	1	Clip, Spring
14	12552.0000	1	Overflow Cup Assy
	00965.0000	2	Nut, Zip 8 - 32
15	12422.0000	1	Clamp, Hose .47"/.54" I.D.
16	-----	1	Tube, Silicone .312" I.D. x 21.50" (Order item 21)
17	12527.0002	1	Triac/Heat Sink Assy (Includes items 18, 19 & 20)
	00971.0000	1	Nut, Keps 10 - 32
18	12397.0000	1	Heat Sink, Copper
19	12565.0002	1	Triac Assy, 40 AMP
	02328.0003	1	Screw, Pan Head 6 - 32 x .312"
	01520.0000	1	Lockwasher, Split #6
20	M2522.1000	-	Heat Sink Compound
21	03236.1001	-	Tube, Silicone .312" I.D. x 36.0"

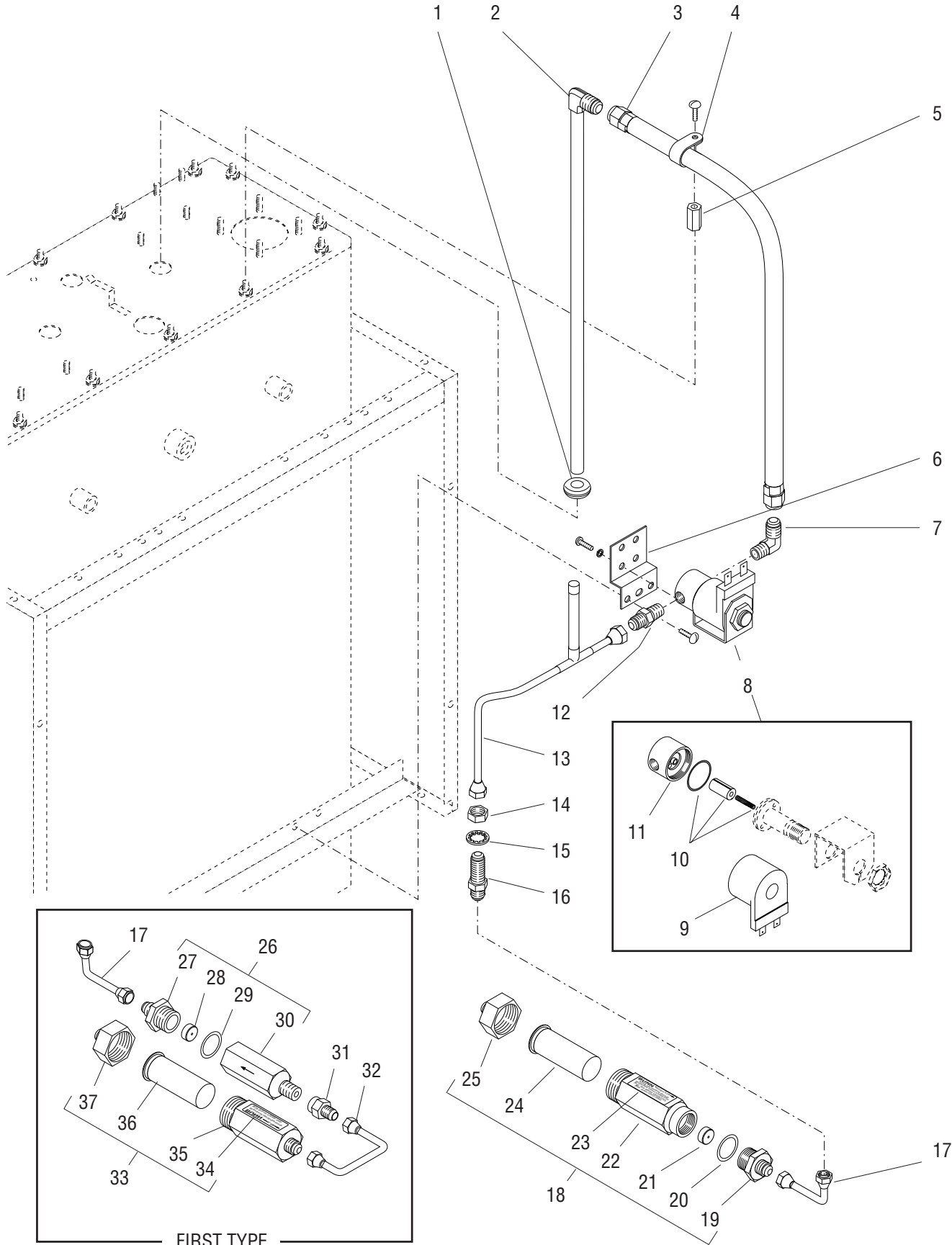
For Electronic Control only

Not Illustrated



TANK AND MOUNTING BRACKETS

ITEM	PART NO.	QTY.	DESCRIPTION
1	-----	2	Bracket, Tank Support (Early Models. Not available, order Late Model bracket))
	26826.0000	1	Bracket, Tank Support (Late Models)
	01315.0000	2	Screw, Truss Head 8 - 32 x .375"
	00908.0000	4	Nut, Hex 8 - 32
2	20881.0000	1	Lid, Tank
	00908.0000	14	Nut, Hex 8 - 32
3	20883.0000	1	Gasket, Tank
4	20951.1000	1	Tank
5	20201.6001	1	Plug, Pipe .25" NPT (Not used with faucet models)
6	20201.2600	1	Bracket, Tank Mounting (Bottom) (Mechanical Thermostat & Electronic Control)
	00971.0000	2	Nut, Keps 10 - 32
	02308.0000	4	Screw, Pan Head 8 - 32 x .375"
7	20201.2600	1	Bracket, Tank Mounting (Bottom) (Mechanical Thermostat) (Shown)
	20201.2601	1	Bracket, Tank Mounting (Bottom) (Electronic Control)
	00971.0000	2	Nut, Keps 10 - 32
	02308.0000	4	Screw, Pan Head 8 - 32 x .375"



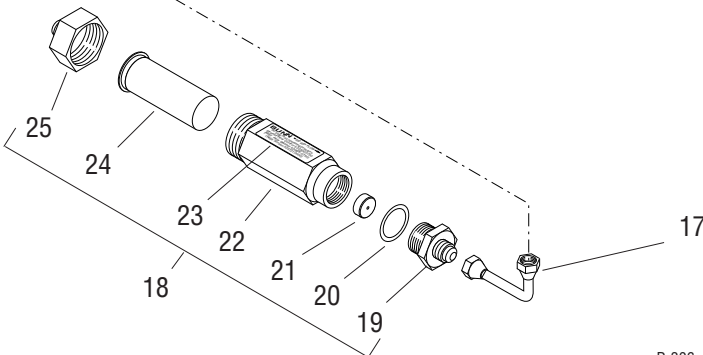
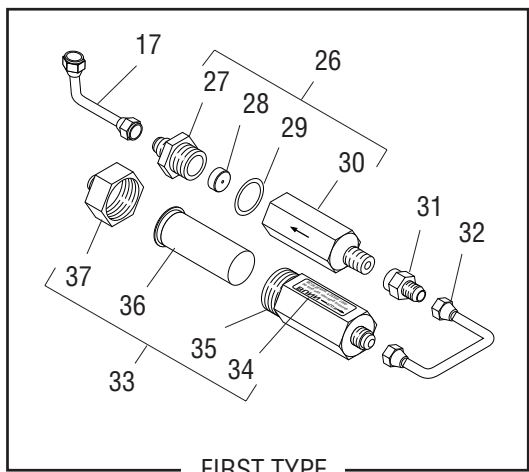
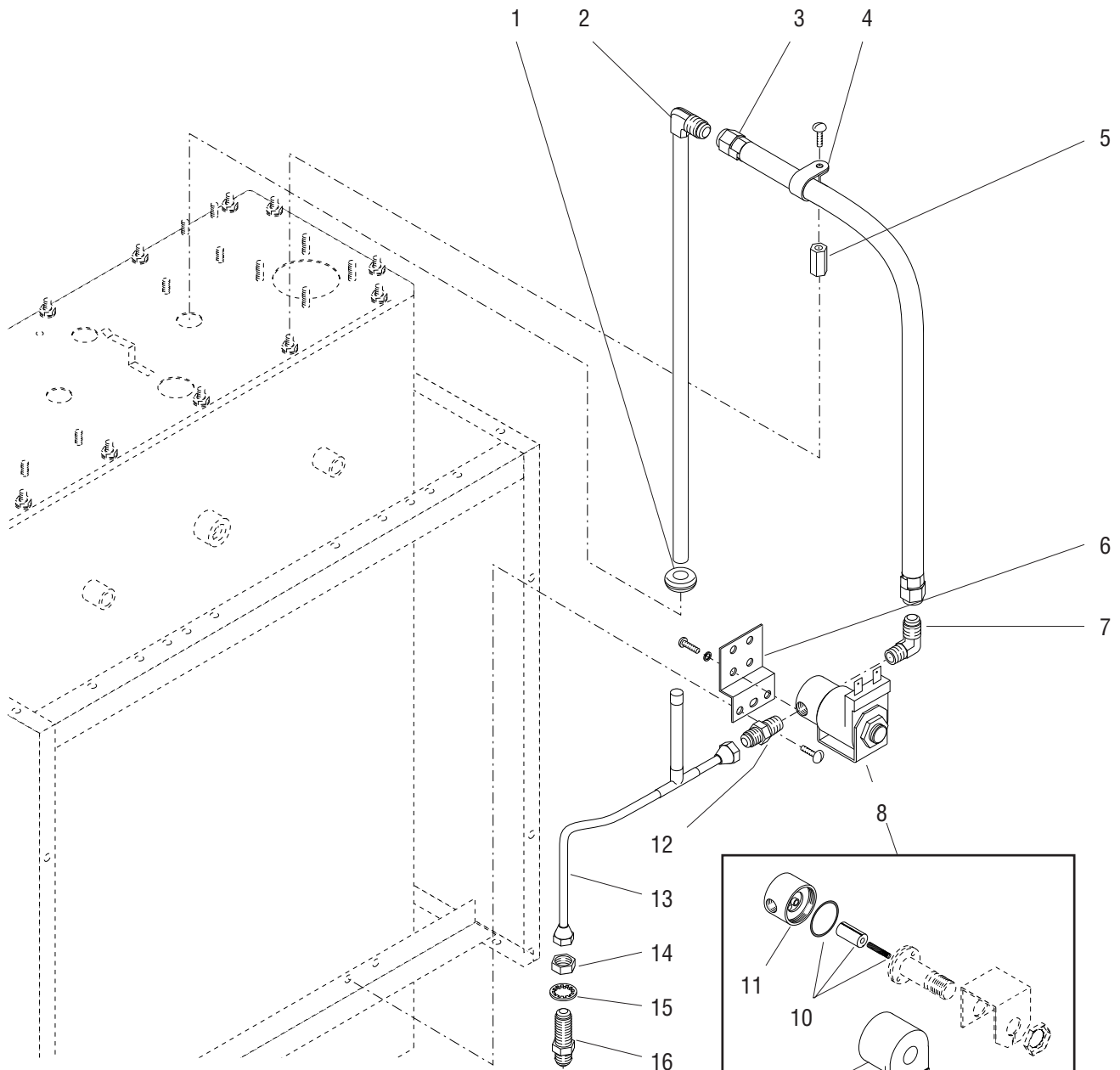
STRAINER/FLOW CONTROL - SOLENOID & LINES

ITEM	PART NO.	QTY.	DESCRIPTION
1	02536.0000	1	Grommet, .375" I.D.
2	20937.0000	1	Tube, Tank Fill
3	20977.1000	1	Hose Assy, Solenoid to Tank
4	00620.0000	1	Clamp, Hose Retaining
	02308.0000	1	Screw, Pan Head 8 - 32 x .375"
5	00950.0000	1	Spacer, Hose Clamp
6	20201.4301	1	Bracket, Solenoid Mounting
	02308.0000	2	Screw, Pan Head 8 - 32 x .375"
7	00400.0001	2	Elbow, Male .250" Flare x .125" MPT
8	01085.0000	1	Solenoid Valve Assy, 120V
	01975.0000	1	Solenoid Valve Assy, 240V
	21180.0000	1	Solenoid Valve Assy, 200V
	01327.0000	2	Screw, Pan Head 10 - 32 x .375"
	01502.0000	2	Lockwasher, Split #10
9	01101.0000	1	Solenoid Valve Coil, 120V
	01100.0000	1	Solenoid Valve Coil, 240V
	21181.0000	1	Solenoid Valve Coil, 200V
10	01111.0000	1	Solenoid Valve Repair Kit
11	01079.0000	1	Solenoid Valve Base
12	00402.0001	1	Connector, .250" Flare x .125" MPT
13	25134.0000	1	Tube Assy Kit, Bulkhead to Sol. (Also replaces Hose Assy on early model Brewers)
14	00463.0000	1	Nut, Hex .438" - 20
15	01532.0000	1	Lockwasher, Internal Tooth .438" I.D.
16	00459.0000	1	Bulkhead Fitting, .250" Flare
17	00310.0002	1	Tube Assy, Flow Control to Bulkhead
18	22300.0750	1	Strainer/Flow Control Assy (Includes items 19 thru 25)
19	01154.0000	1	Flow Control Outlet
20	01155.0000	1	Flow Control Gasket
21	20526.0750	1	Flow Washer/Gasket Set .750 GPM (Includes item 20)
22	-----	1	Body (Not Available order item 18)
23	22307.0750	1	Decal, Strainer/Flow Control
24	23721.0000	1	Screen
25	22249.0000	1	End Cap, Water Strainer
26	20528.0750	1	Flow Control Assy (.750 GPM) (Includes items 27 thru 30)
27	01154.0000	1	Flow Control Outlet

Solenoid Valve Repair Parts

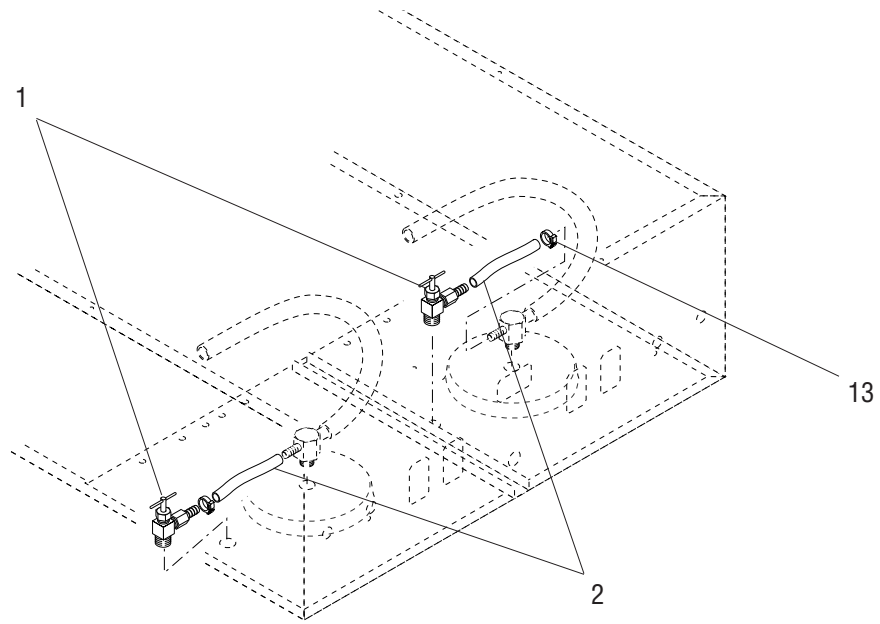
(continued)

(continued)



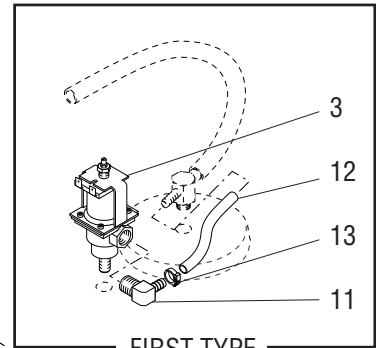
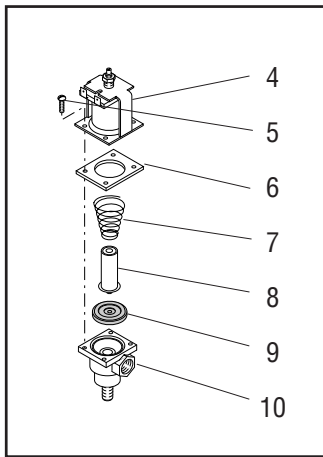
STRAINER/FLOW CONTROL - SOLENOID & LINES

ITEM	PART NO.	QTY.	DESCRIPTION
28	20526.0750	1	Flow Washer/Gasket Set .750 GPM (Includes item 29)
29	01155.0000	1	Flow Control Gasket
30	-----	1	Body (Not Available order item 26)
31	00445.0001	1	Connector, .250" Flare x .125" FPT
32	04572.0002	1	Tube Assy, Flow Control to Strainer (Includes Nuts)
33	23820.1000	1	Water Strainer Assy (Includes items 34 thru 37)
34	22267.0002	1	Decal, Strainer
35	-----	1	Body (Not Available order item 33)
36	23721.0000	1	Screen
37	22249.0000	1	End Cap, Water Strainer

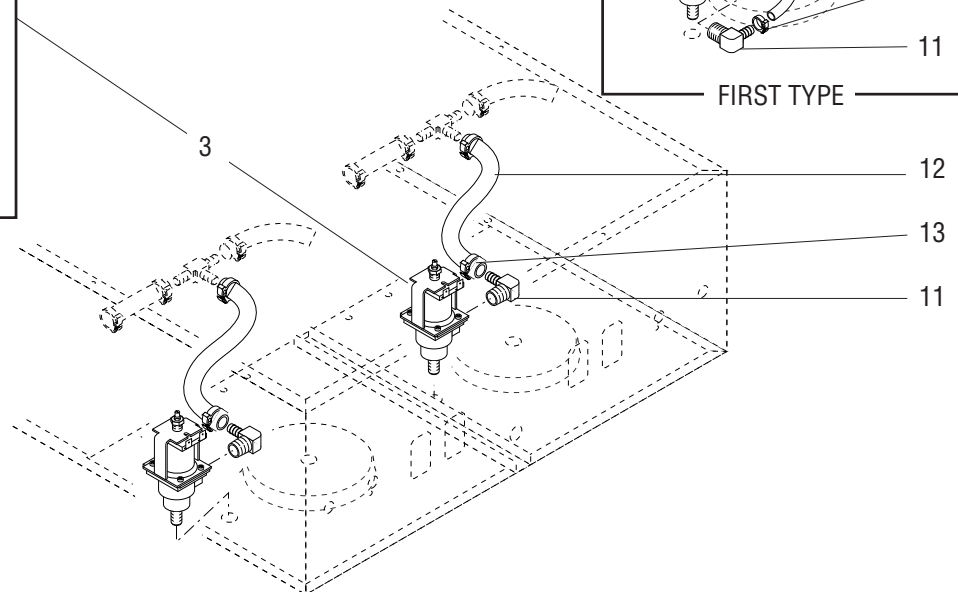


MECHANICAL BY-PASS

P-307



FIRST TYPE

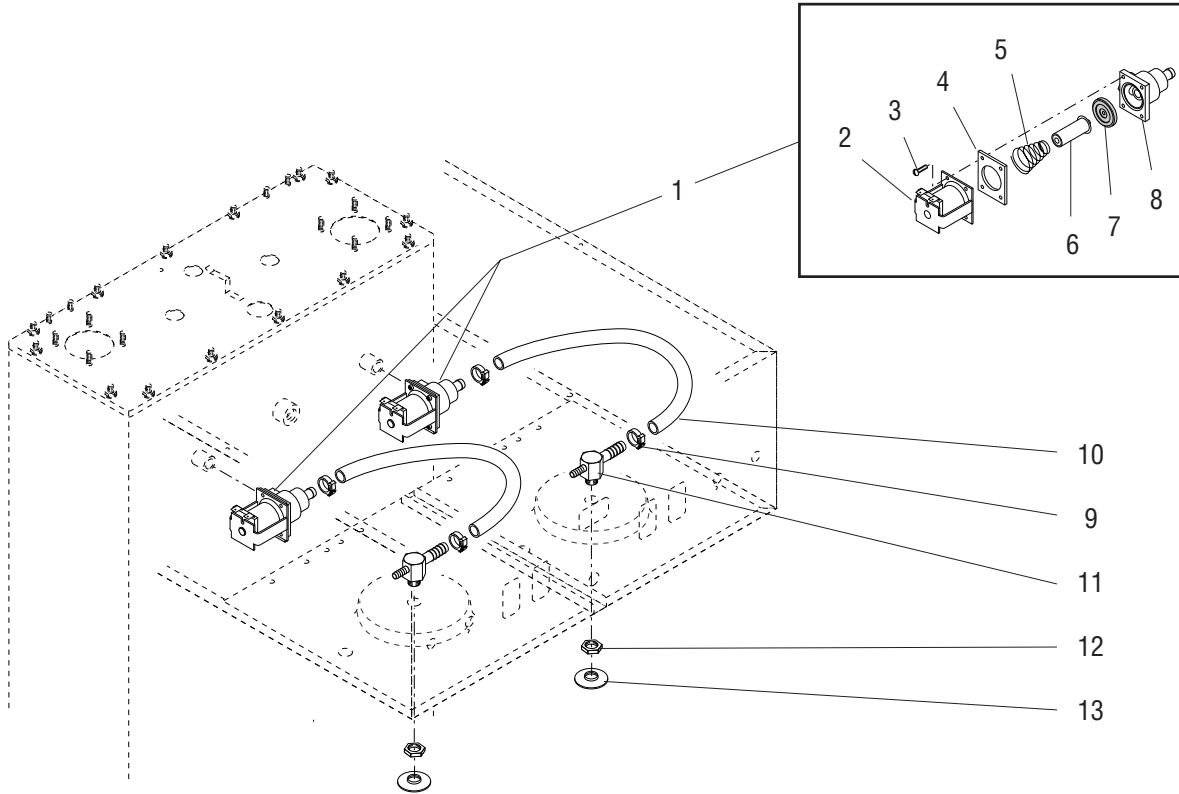


ELECTRO / MECHANICAL BY-PASS

P-308

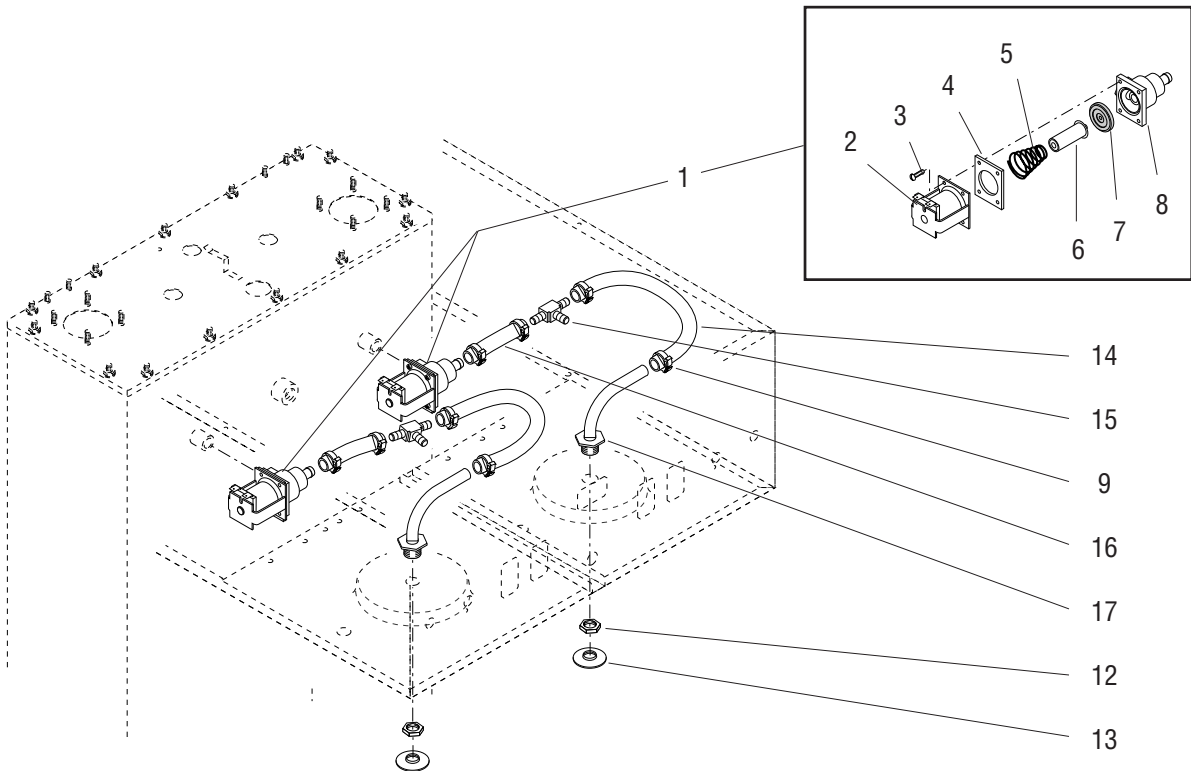
WATER BY-PASS

ITEM	PART NO.	QTY.	DESCRIPTION	
1	20945.0001	2	Valve Assy, Needle By-Pass	
2	-----	2	Tube, Silicone .25" I.D. x 2.60" (Order item 14)	
3	23849.0000	2	By-Pass Valve Assy, 120V	Includes items 4 thru 10
	23849.0001	2	By-Pass Valve Assy, 200V	
	23849.0002	2	By-Pass Valve Assy, 240V	
4	24298.0000	1	Coil Assy, By-Pass Valve 120V	
	24298.0001	1	Coil Assy, By-Pass Valve 240V	
	24298.0002	1	Coil Assy, By-Pass Valve 200V	
5	23254.0000	4	Screw #8 - 32	
6	23256.0000	1	Spacer Plate	
7	-----	1	Spring (Not available separately order item 16)	
8	-----	1	Plunger (Not available separately order item 16)	
9	23255.0000	1	Diaphragm	
10	-----	1	Body (Not available separately order item 3)	
11	-----	2	Elbow (Models with First Type By-Pass. Order item 17)	
	20201.1601	2	Elbow, 90° .375" Barb x .25" MPT (Models with Second Type By-Pass)	
12	-----	2	Tube, Silicone (Models with First Type By-Pass. Order item 17)	
	-----	2	Tube, Silicone .375" I.D. x .62" O.D. x 8.50" (Models with Second Type By-Pass.(Order item 15)	
13	12422.0000	4	Clamp, Hose .47"/.54" I.D. (Use with .25" I.D. tube)	
	12422.0001	4	Clamp, Hose .59"/.66" I.D. (Use with .375" I.D. tube)	
14	11707.1000	1	Tube, Silicone .25" I.D. x 12.0"	
	11707.1001	1	Tube, Silicone .25" I.D. x 36.0"	
	11707.1002	1	Tube, Silicone .25" I.D. x 120.0"	
15	20976.1000	1	Tube, Silicone .375" I.D. x 12.0"	Not Illustrated
	20976.1001	1	Tube, Silicone .375" I.D. x 36.0"	
	20976.1002	1	Tube, Silicone .375" I.D. x 120.0"	
16	11517.0008	-	Valve Repair Kit (Includes one each of items 7, 8 & 9)	
17	26109.0000	-	Kit, Variable By-pass (Converts First Type Electro/Mechanical By-pass to Second Type) (2 Kits required)	



ALL MODELS WITH MECHANICAL BY-PASS
MODELS WITH FIRST TYPE ELECTRO/MECHANICAL BY-PASS

P-309

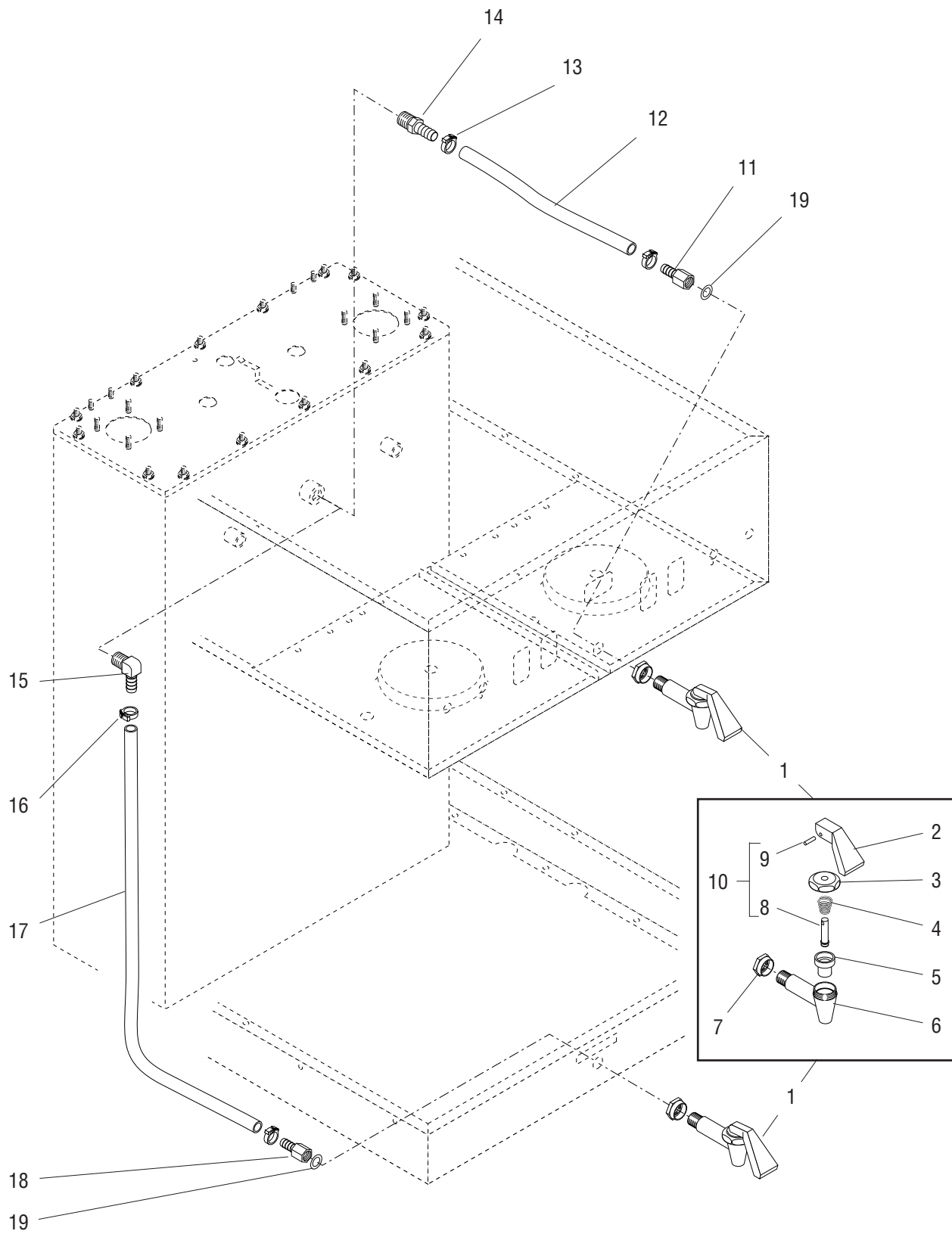


MODELS WITH SECOND TYPE ELECTRO/MECHANICAL BY-PASS

P718

DISPENSE VALVE & SPRAYHEAD

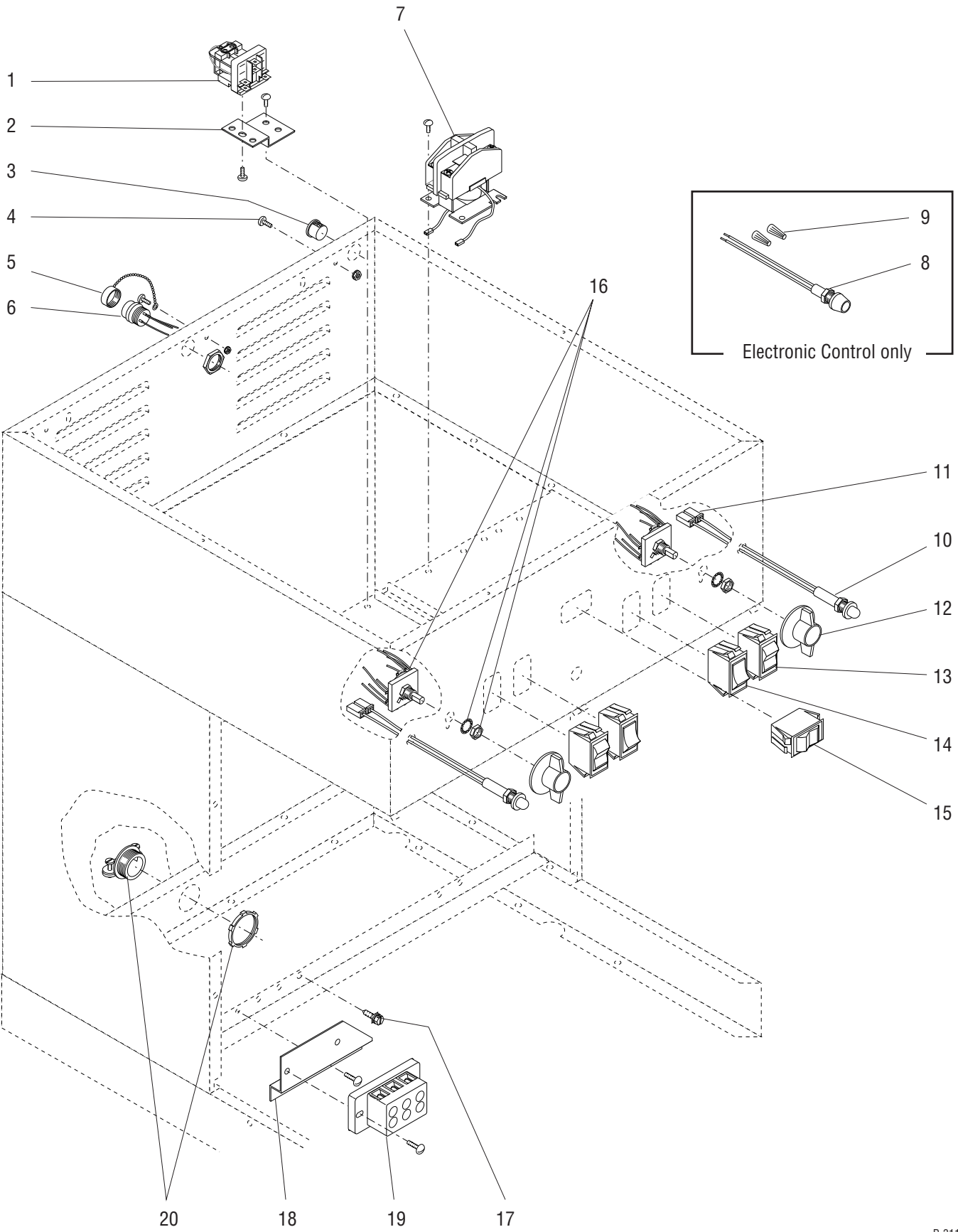
ITEM	PART NO.	QTY.	DESCRIPTION	
1	20933.0000	2	Dispensing Valve Assy, 120V	} Includes items 2 thru 8
	20933.0001	2	Dispensing Valve Assy, 200V	
	20933.0002	2	Dispensing Valve Assy, 240V	
2	22305.0000	1	Coil Assy, Dispensing Valve 120V	
	22305.0002	1	Coil Assy, Dispensing Valve 240V	
	22305.0003	1	Coil Assy, Dispensing Valve 200V	
3	23254.0000	4	Screw #8 - 32	
4	23256.0000	1	Spacer Plate	
5	-----	1	Spring (Not available separately, order item 19)	
6	-----	1	Plunger (Not available separately, order item 19)	
7	23255.0000	1	Diaphragm	
8	-----	1	Body (Not available separately, order item 1)	
9	12422.0001	4	Clamp, Hose .59" x .66" I.D. (4 additional used on models with Second Type Electro/Mechanical By-pass)	
10	-----	2	Tube, Silicone .38" I.D. x .62" O.D. x 9.50" (Order item 18)	
11	20926.0000	2	Fitting Assy, Sprayhead (Mechanical By-Pass) (Shown)	
	-----	2	Fitting Assy, Sprayhead (Models With First Type Electro/Mechanical By-Pass. Order item 20)	
12	01075.0000	2	Nut, Hex .438" - 20	
13	01082.0002	2	Sprayhead	
14	-----	2	Tube, Silicone .38" I.D. x .62" O.D. x 6.50" (Order item 18)	} Models with Second Type Electro/Mechanical By-pass
15	06866.0000	2	Fitting, Tee .375" Barb	
16	-----	2	Tube, Silicone .38" I.D. x .62" O.D. x 2.25" (Order item 18)	
17	25647.0000	2	Tube, Sprayhead	
18	20976.1000	1	Tube, Silicone .38" I.D. x .62" O.D. x 12.0"	} Not illustrated
	20976.1001	1	Tube, Silicone .38" I.D. x .62" O.D. x 36.0"	
	20976.1002	1	Tube, Silicone .38" I.D. x .62" O.D. x 120.0"	
19	11517.0008	-	Valve Repair Kit (Includes one each of items 5, 6 & 7)	
20	26109.0000	-	Kit, Variable By-pass (Converts First Type Electro/Mechanical By-pass to Second Type) (2 Kits required)	



Only one Faucet location option (Upper or Lower) is applicable to each Brewer

FAUCET - UPPER AND LOWER

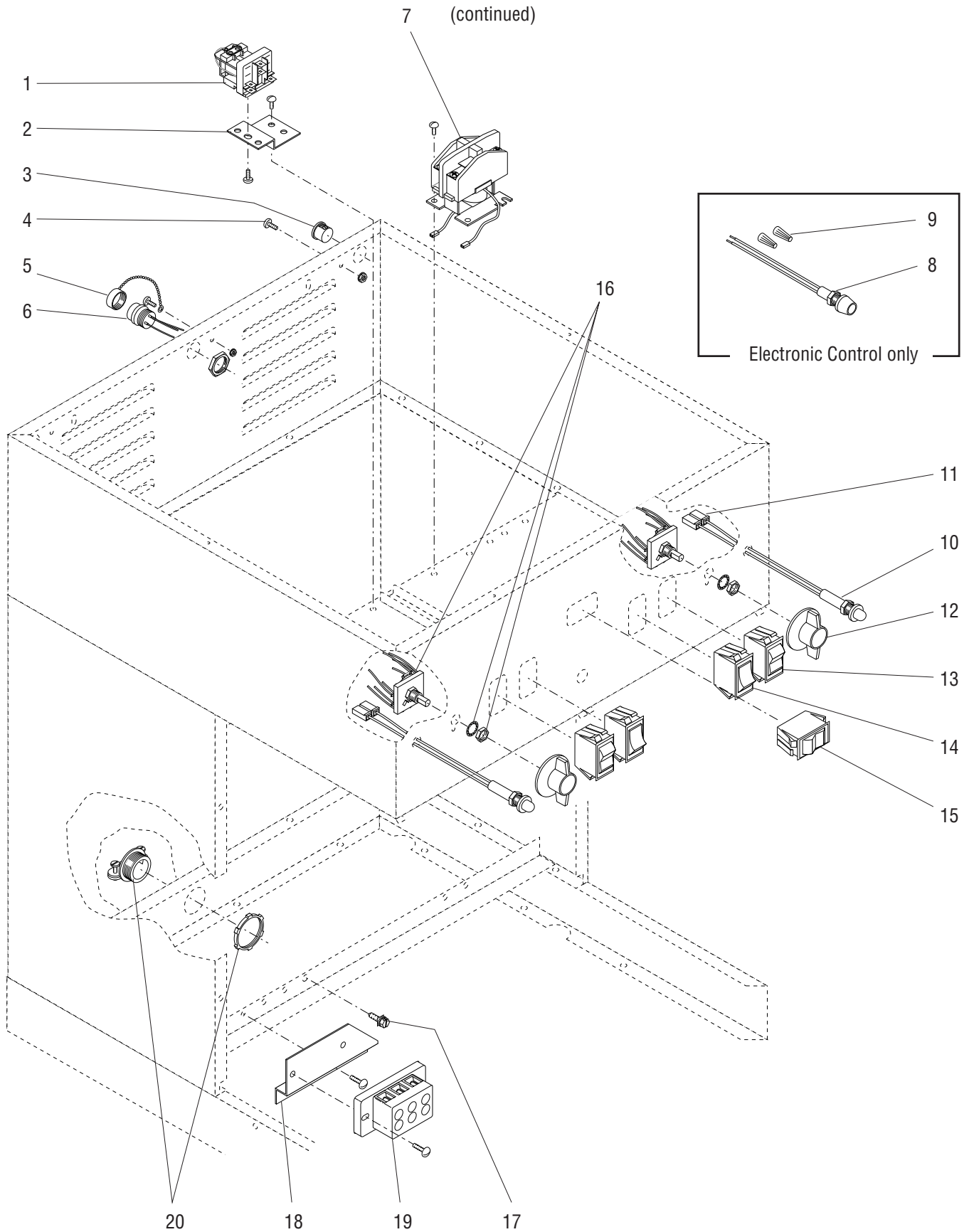
ITEM	PART NO.	QTY.	DESCRIPTION	
1	02596.1005	1	Faucet Assy (Includes items 2 thru 9)	
2	02861.0000	1	Handle, Faucet	
3	02854.0000	1	Bonnet, Faucet	
4	02595.0000	1	Spring, Faucet	
5	02766.0000	1	Seat Cup, Faucet	
6	02856.0002	1	Body, Faucet	
7	02850.0000	1	Jam Nut, Faucet	
8	02852.0000	1	Stem, Faucet	
9	02858.0000	1	Pin, Spring .125" Dia. x .50"	
10	02594.0000	1	Faucet Stem W/Pin (Includes items 8 & 9)	
11	12437.0000	1	Adapter, Barb (Also order Washer 27574.0000)	Upper Faucet Models
12	-----	1	Tube, Silicone .38" I.D. x .62" O.D. x 10.25" (Order item 20)	
13	12422.0001	2	Clamp, Hose .59" x .66" I.D.	
14	21136.0001	1	Fitting, Barb .375" x .25" MPT	
15	20202.1601	1	Elbow, 90° .375" Barb x .25" MPT	Lower Faucet Models
16	12422.0001	2	Clamp, Hose .59" x .66" I.D.	
17	-----	1	Tube, Silicone .38" I.D. x .62" O.D. x 30.0" (Order item 20)	
18	12437.0000	1	Adapter, Barb (Also order Washer 27574.0000)	
19	27574.0000	1	Washer, Sealing	
20	20976.1000	1	Tube, Silicone .38" I.D. x .62" O.D. x 12.0"	Not Illustrated
	20976.1001	1	Tube, Silicone .38" I.D. x .62" O.D. x 36.0"	
	20976.1002	1	Tube, Silicone .38" I.D. x .62" O.D. x 120.0"	



ELECTRICAL CONTROLS AND READY LIGHT

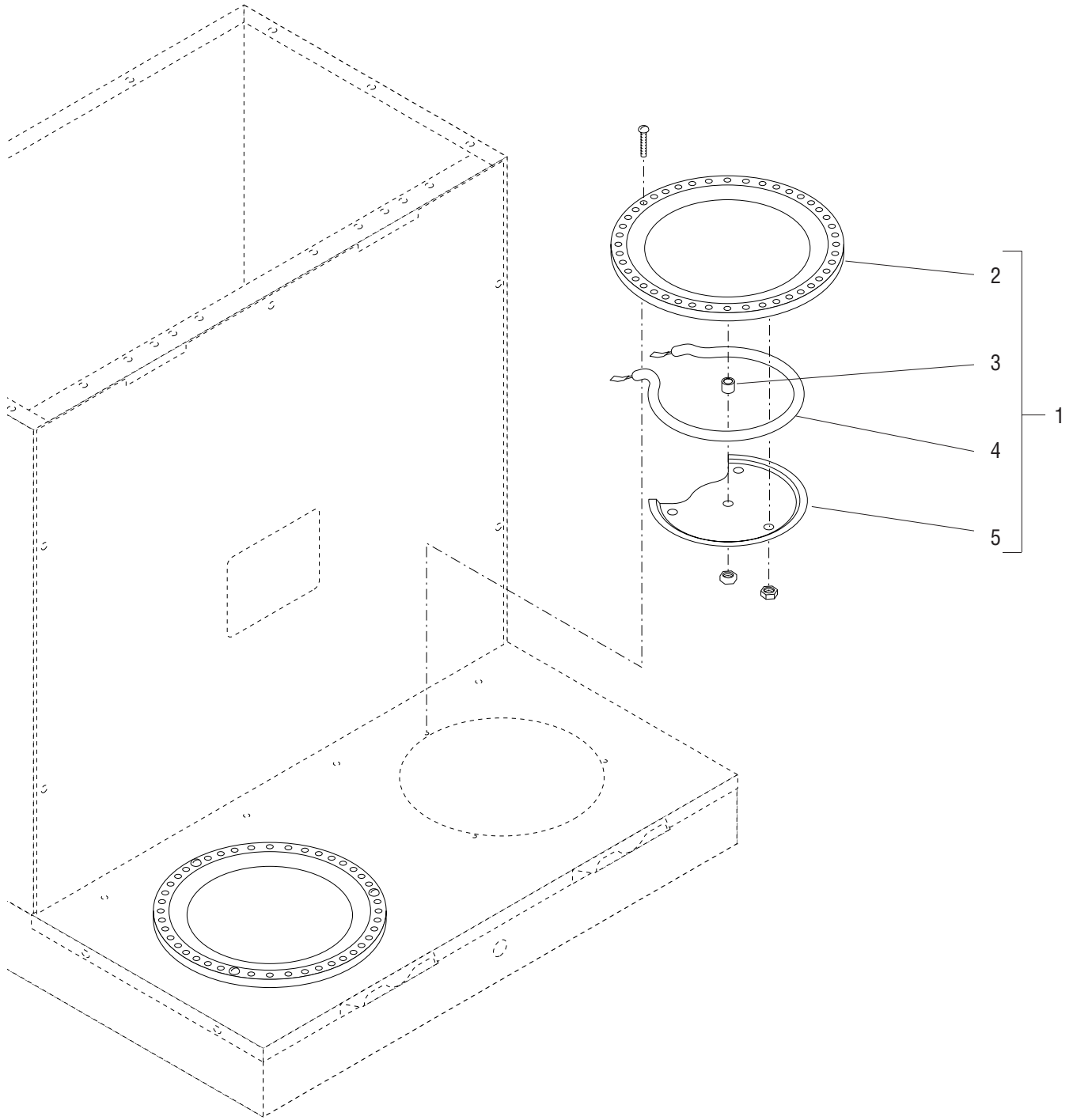
ITEM	PART NO.	QTY.	DESCRIPTION	
1	02618.0000	-	Relay, 120V	} Used with Recovery Booster only - One each with Electronic Control - Two each with Mech. Thermostat
	02806.0000	-	Relay, 240V	
	22089.0000	-	Relay, 200V	
	01347.0000	-	Screw, Truss Head 6 - 32 x .375"	
2	20201.4300	-	Bracket, Relay	
3	00669.0000	-	Plug, Hole (Use as required)	
4	01382.0003	3	Screw, Truss Head 6 - 32 x .375"	
	00973.0000	3	Nut, Keps 6 - 32	
5	05182.0000	1	Dustcap W/Chain	} Two used with two Grinder Interface Models
6	12274.0002	1	Socket Assy W/Leads, Interface	
7	06335.0000	1	Contactory Assy, 120V Coil	} Used With Mechanical Thermostat & Electronic Control W/Recovery Booster
	06335.0002	1	Contactory Assy, 200/240V Coil	
	01327.0000	2	Screw, Pan Head 10 - 32 x .375"	
8	00764.0000	1	Plug, Hole .375" (Not Illustrated)	} Electronic Control only
	12517.0002	1	Ready Light Replacement Kit (Includes item 9)	
	25292.0000	1	Lockwasher M6	
	34130.0000	1	Nut M6	
9	01570.0000	2	Wire Nut, 2 - 24 AWG	
10	12984.0002	2	Light Assy, 120V (Includes 2 of item 11)	} Used With Mechanical Thermostat only
	12984.0004	2	Light Assy, 240V (Includes 2 of item 11)	
11	04243.0000	4	Terminal Housing, Receptacle	
12	12246.0000	2	Knob, Rotary Switch	
	02338.0000	2	Setscrew, Locking 8 - 32 x .25"	
13	02753.0000	2	Switch, On/Off 120V	
	02754.0000	2	Switch, On/Off 240V	
14	02628.0000	2	Switch, Momentary - Start	
15	05789.0000	1	Switch, Selector (One Grinder Interface Models only)	
16	20969.0000	2	Switch Assy, Rotary (Mechanical Valve By-Pass)	
	20969.0001	2	Switch Assy, Rotary (Electro/Mechanical Valve By-Pass)	
17	01309.0000	1	Ground Screw W/Terminal Washer 10 - 32 x .50"	
18	21120.0000	1	Bracket, Terminal Block Mounting	
	02308.0000	2	Screw, Pan Head 8 - 32 x .375"	
19	07038.0000	1	Terminal Block, 3 Pole (120/240V) (Shown)	
	01106.0000	1	Terminal Block, 2 Pole (120V)	
	01106.0001	1	Terminal Block, 2 Pole (200/240V)	
	01317.0000	2	Screw, Truss Head 8 - 32 x .50"	
20	01590.0000	1	Connector, Cable	
21	20964.0000	1	Wiring Harness, Main (120/240V Mechanical Thermostat)	} Not Illustrated
	20964.0001	1	Wiring Harness, Main (200/240V Mechanical Thermostat)	
	20964.0002	1	Wiring Harness, Main (120/240V Electronic Control)	
	20964.0003	1	Wiring Harness, Main (200/240V Electronic Control)	
	20964.0004	1	Wiring Harness, Main (120V Mechanical Thermostat)	

(continued)



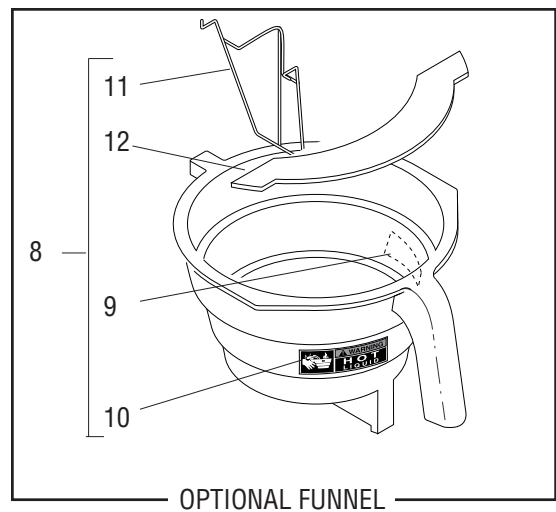
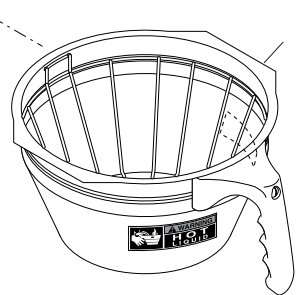
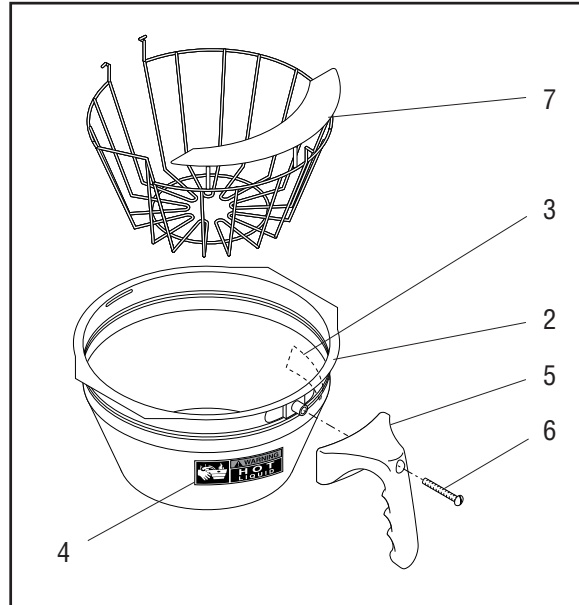
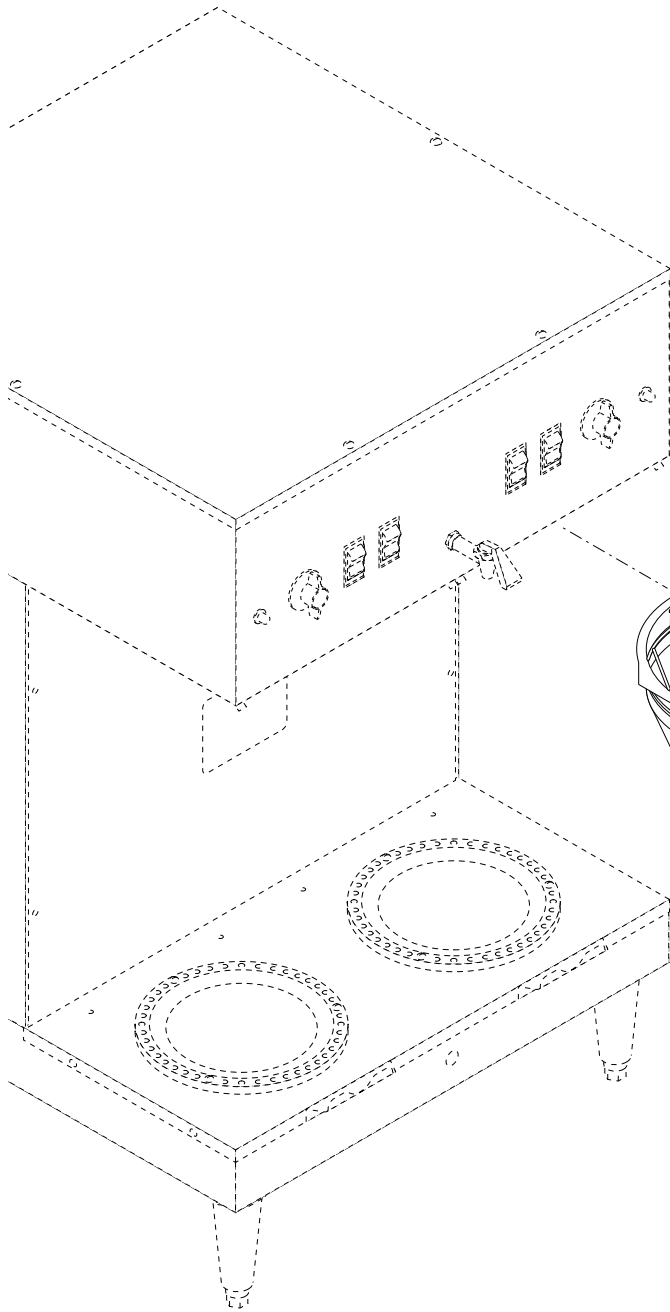
ELECTRICAL CONTROLS AND READY LIGHT

ITEM	PART NO.	QTY.	DESCRIPTION	
NOTE : The following items are not illustrated				
22	23904.0000	1	Wiring Harness, Interface Switch (One Grinder Interface Models only)	
23	21012.0006	1	Lead, Elect. Red 30.0" (Contactor to Left Heater) (All Mech. Thermo. except 120V)	
	21012.0081	1	Lead, Elect. Wht 30.0" (Contactor to Left Heater) (120V Mech. Thermo. only)	
24	21012.0007	1	Lead, Elect. Red 12.0" (Contactor to Right Heater) (All Mech. Thermo. except 120V)	
	21012.0080	1	Lead, Elect. Wht 12.0" (Contactor to Right Heater) (120V Mech. Thermo. only)	
25	21012.0008	1	Lead, Elect. Blk 20.0" (Contactor to Left Heater)] Mech. Thermostat only
26	21012.0009	1	Lead, Elect. Blk 18.0" (Contactor to Right Heater)	
27	21012.0029	1	Lead, Elect. Blu 20.0" (Tank Heater to Tank Heater)] Electronic Control only
28	21012.0031	1	Lead, Elect. Blk 14.5" (Tank Heater to Tank Heater)	
29	21012.0078	1	Lead, Elect. Blk 9.0" (Right Heater to Limit Thermostat)	
30	21005.0351	1	Lead, Elect. Wht/Red 6.0" (Left Disp. Valve to Left Relay)] Mech. Thermostat & Recovery Booster
31	22042.0000	1	Lead Assy, Elect. Blu 9.0" (Right Relay to Wire Nuts)	
32	22043.0000	1	Lead Assy, Elect. Blk 30.0" (Left Relay to Contactor)	
33	21005.0621	1	Lead, Elect. WHI/BRN 8.0" (Left Relay to Left Disp. Valve)	
33	21003.0045	1	Lead, Elect. Red 12.0" (Relay to Relay)	
34	21012.0036	1	Lead, Elect. Blu 18.0" (Contactor to Right Heater)] Electronic Control & Recovery Booster
35	21012.0037	1	Lead, Elect. Red 30.0" (Terminal Block to Contactor)	
40	24740.0000	1	Lead, Elect. Wht/Brn 15.0" (Left Disp. Valve to Contactor)	
36	21005.0354	1	Lead, Elect. Wht/Red 10.0" (Left Disp. Valve to Relay)	
37	24890.0000	1	Lead, Elect. Gry 6.0" (Relay to Contactor)	
38	21005.0349	1	Lead, Elect. Wht/Grn 10.0" (Relay to Right Disp. Valve)] Recovery Booster only
39	21005.0350	1	Lead, Elect. Wht/Vio 10.0" (Relay to Right Disp. Valve)	



WARMER ASSEMBLIES

ITEM	PART NO.	QTY.	DESCRIPTION
1	03652.0000	2	Warmer Assy, Blk 100W 120V (Includes items 2 thru 5)
	02817.0000	2	Warmer Assy, Blk 100W 220V (Includes items 2 thru 5)
	01303.0000	6	Screw, Pan Head #4 - 40 x .50"
	00916.0000	6	Clip, J-Type #4 - 40 (Early Models)
2	03656.0000	1	Warmer Dish, Blk - 45 Hole
3	13042.0001	1	Spacer .174" I.D. x .188"
4	01227.0000	1	Warmer Element, 100W 120V
	01951.0000	1	Warmer Element, 100W 220V
5	05212.0000	1	Plate, Warmer Retainer
	00970.0000	2	Nut, Keps #8 - 32



FUNNELS

ITEM	PART NO.	QTY.	DESCRIPTION
1	20201.1201	2	Funnel Assy, SST (Black Handle)(Includes Items 2 thru 7)
	20201.1204	2	Funnel Assy, SST (Red Handle)(Includes Items 2 thru 7)
2	24462.0000	1	Funnel W/Decals (Includes items 3 & 4)
3	12369.0000	1	Decal, Caution-Remove Funnel
4	12368.0000	1	Decal, Caution-Hot Liquid
5	20201.1100	1	Handle, Funnel-Black
	20201.1101	1	Handle, Funnel-Red
6	12499.0000	1	Screw, Round Head .25" - 20 x 1.50"
7	-----	1	Filter Basket (First Type. Not available, order Second Type)
	33089.0000	1	Filter Basket w/Splash Guard (Second Type)
8	22735.0000	2	Funnel Assy, Plastic-Black (Includes items 9, 10,11 & 12)
9	12369.0000	1	Decal, Caution-Remove Funnel
10	12368.0000	1	Decal, Caution-Hot Liquid
11	21911.0000	1	Funnel Adapter, Water By-Pass
12	32965.0000	1	Splash Guard

NUMERICAL INDEX

PART NO.	PAGE NO.	PART NO.	PAGE NO.	PART NO.	PAGE NO.	PART NO.	PAGE NO.
00310.0002	21	01532.0000	21	10044.0000	5	20932.0000	19
00400.0001	21	01533.0000	9,11,13,15	10567.0000	5	20933.0000	27
00402.0001	21	01570.0000	31	10567.0002	5	20933.0001	27
00445.0001	23	01590.0000	31	10567.0004	5	20933.0002	27
00459.0000	21	01951.0000	35	10567.0005	5	20936.1000	17
00463.0000	21	01975.0000	21	11517.0008	25,27	20937.0000	21
00502.0000	7	02308.0000	5,9,11,13	11707.1000	25	20945.0001	25
00506.0000	7	02308.0000	15,19,21,31	11707.1001	25	20948.0001	9,11,13,15
00619.0002	13,15	02324.0000	7	11707.1002	25	20951.1000	19
00619.0005	7	02328.0003	17	12246.0000	31	20964.0000	31
00619.0007	5	02336.0000	5	12274.0002	31	20964.0001	31
00619.0008	5	02338.0000	31	12364.0000	7	20964.0002	31
00620.0000	21	02536.0000	17,21	12368.0000	37	20964.0003	31
00656.0000	5	02594.0000	29	12369.0000	37	20964.0004	31
00658.0000	5	02595.0000	29	12397.0000	17	20966.0000	5
00669.0000	31	02596.1005	29	12398.0000	17	20966.0001	5
00671.0000	7	02618.0000	31	12422.0000	17,25	20966.0002	5
00764.0000	31	02620.1040	9,13	12422.0001	25,27,29	20966.0003	5
00831.0000	5	02620.1041	9,13	12437.0000	29	20966.0004	5
00908.0000	17,19	02628.0000	31	12499.0000	37	20966.0005	5
00916.0000	7,35	02753.0000	31	12517.0002	31	20969.0000	31
00946.0000	17	02754.0000	31	12527.0002	17	20969.0001	31
00950.0000	21	02766.0000	29	12552.0000	17	20976.1000	25,27,29
00965.0000	17	02806.0000	31	12559.0000	13,15	20976.1001	25,27,29
00970.0000	35	02817.0000	35	12560.0015	13,15	20976.1002	25,27,29
00971.0000	17,19	02850.0000	29	12565.0002	17	20977.1000	21
00973.0000	31	02852.0000	29	12570.0000	13,15	21003.0045	33
01075.0000	27	02854.0000	29	12984.0002	31	21005.0349	33
01079.0000	21	02856.0002	29	12984.0004	31	21005.0350	33
01082.0002	27	02858.0000	29	13042.0001	35	21005.0351	33
01085.0000	21	02861.0000	29	20201.0801	37	21005.0354	33
01100.0000	21	03011.0000	5	20201.1100	37	21005.0621	33
01101.0000	21	03236.1001	17	20201.1101	37	21012.0006	33
01106.0000	31	03359.0000	7	20201.1201	37	21012.0007	33
01106.0001	31	03633.0000	17	20201.1204	37	21012.0008	33
01111.0000	21	03652.0000	35	20201.1601	25	21012.0009	33
01154.0000	21	03656.0000	35	20201.2600	19	21012.0029	33
01155.0000	21,23	03803.0000	17	20201.2601	19	21012.0031	33
01227.0000	35	03807.0000	17	20201.4300	31	21012.0036	33
01303.0000	35	04243.0000	31	20201.4301	21	21012.0037	33
01309.0000	31	04314.0001	9,11	20201.5600	5	21012.0078	33
01311.0000	7	04572.0002	23	20201.6001	19	21012.0080	33
01315.0000	19	04786.0002	13,15	20202.1601	29	21012.0081	33
01317.0000	31	05182.0000	31	20203.0100	17	21106.0000	7
01327.0000	21,31	05212.0000	35	20526.0750	21,23	21120.0000	31
01347.0000	9,11,13,15,31	05789.0000	31	20528.0750	21	21122.0000	13,15
01382.0003	5,7,31	06335.0000	31	20881.0000	19	21136.0001	29
01388.0000	9,11,13,15	06335.0002	31	20883.0000	19	21180.0000	21
01501.0000	17	06866.0000	27	20916.0000	5	21181.0000	21
01502.0000	21	07038.0000	31	20922.1000	17	21911.0000	37
01510.0000	9,11,13,15	07073.0000	9,11	20922.1001	17	22042.0000	33
01511.0000	9,11	07074.1026	9,11	20922.1002	17	22043.0000	33
01520.0000	17	07074.1027	9,11	20926.0000	27	22089.0000	31

NUMERICAL INDEX

PART NO.	PAGE NO.	PART NO.	PAGE NO.	PART NO.	PAGE NO.	PART NO.	PAGE NO.
22249.0000	21,23	32540.0000	5				
22267.0002	23	32965.0000	37				
22300.0750	21	33089.0000	37				
22305.0000	27	34130.0000	31				
22305.0002	27	M2522.1000	17				
22305.0003	27						
22307.0750	21						
22313.0000	5						
22313.0001	5						
22313.0002	5						
22313.0003	5						
22313.0004	5						
22313.0005	5						
22314.0000	5						
22314.0001	5						
22314.0002	5						
22314.0003	5						
22314.0004	5						
22735.0000	37						
23254.0000	25,27						
23255.0000	25,27						
23256.0000	25,27						
23721.0000	21,23						
23820.1000	23						
23849.0000	25						
23849.0001	25						
23849.0002	25						
23904.0000	33						
24298.0000	25						
24298.0001	25						
24298.0002	25						
24396.0000	5						
24396.0001	5						
24455.0004	7						
24458.0000	5						
24462.0000	37						
24486.1000	11,15						
24486.1001	11,15						
24740.0000	33						
24890.0000	33						
25134.0000	21						
25151.0000	5						
25292.0000	31						
25376.0000	5						
25647.0000	27						
26109.0000	25,27						
26619.0000	17						
26622.0001	17						
27574.0000	29						
28377.0000	9,11						
29329.1000	17						
32400.0002	9,11,13,15						
32400.0003	9,11,13,15						