



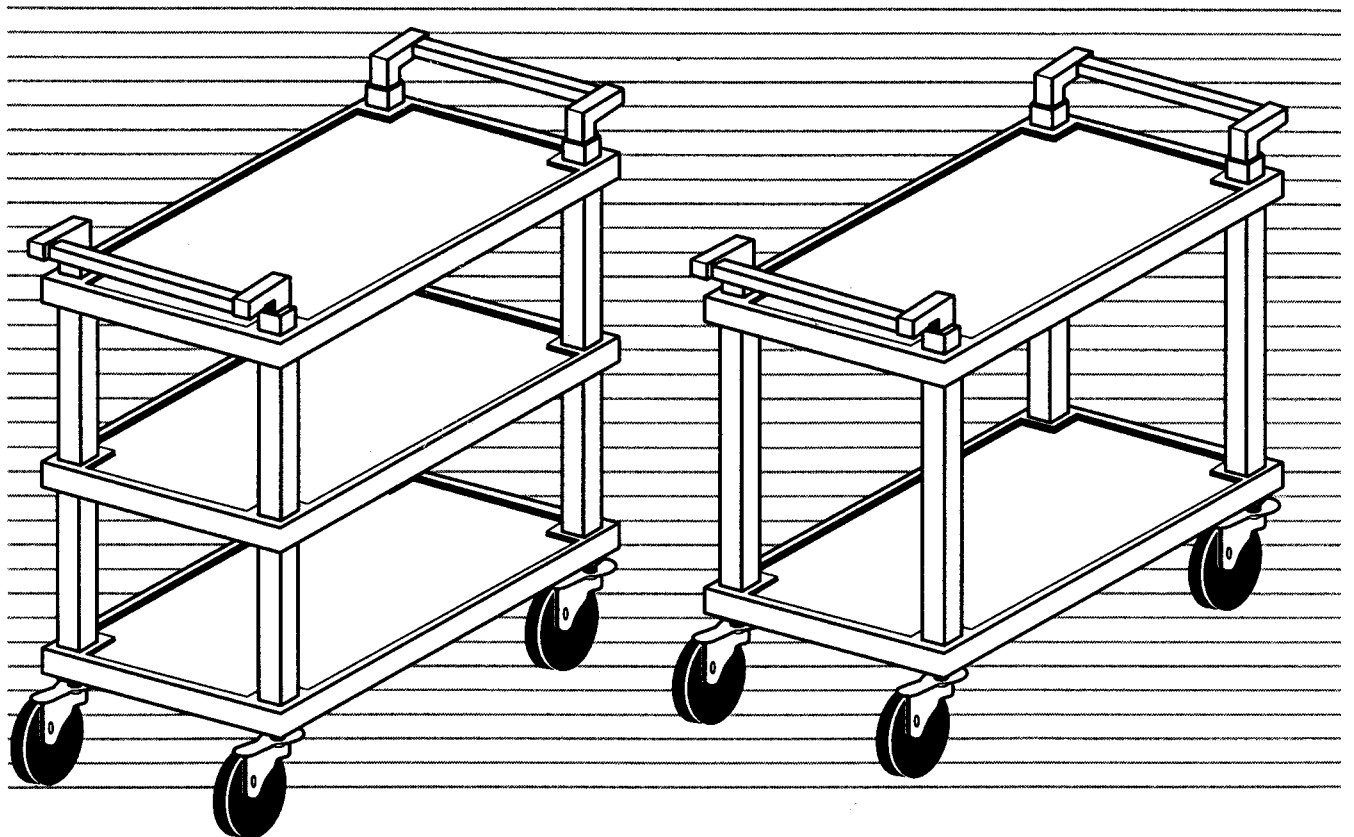
OWNER'S MANUAL

KD PLASTIC CARTS Assembly Instructions and Parts List

MODELS:

97101 — 2 Shelf KD Plastic Cart

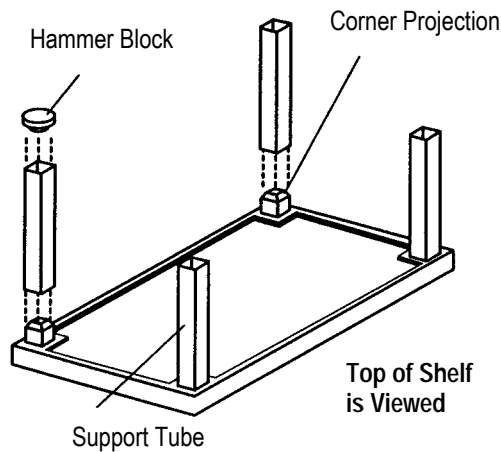
97102 — 3 Shelf KD Plastic Cart



ASSEMBLY INSTRUCTIONS

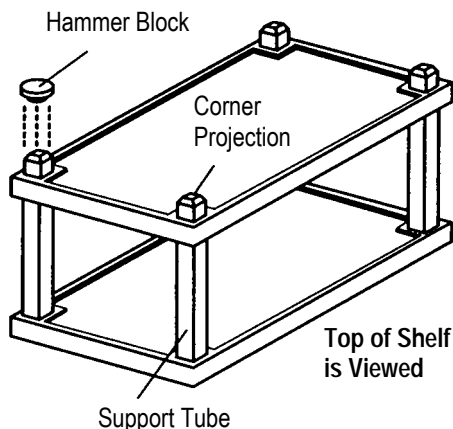
STEP 1

Lay shelf on flat surface (smooth side up). Insert a support tube over each projection as shown. Place the hammer block into a support tube and with a rubber mallet, pound down gently until support tube bottoms out against shelf. Do this on all four (4) corners.



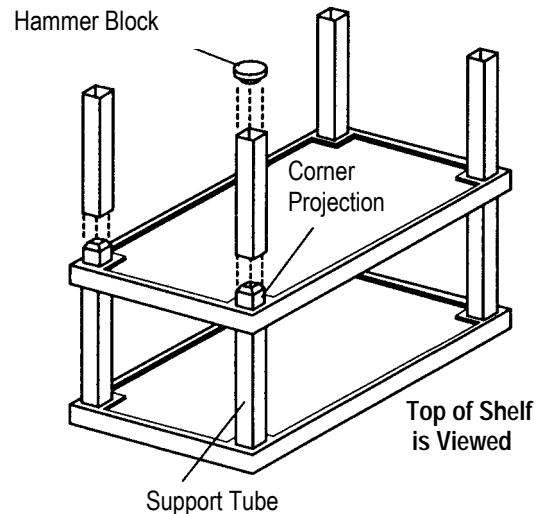
STEP 2

Position second shelf (smooth side up) on the above assembly, making sure that the four (4) corner projections underside of second shelf insert into each support tube. Place hammer block on top of corner projections of second shelf, and with a rubber mallet, pound down gently until shelf bottoms out against support tube. Do this on all four (4) corners.



STEP 3

Insert second group of support tubes over each projection of second shelf — refer to Step 1.

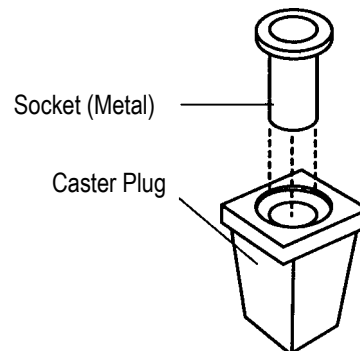


STEP 4

Position third shelf — refer to Step 2.

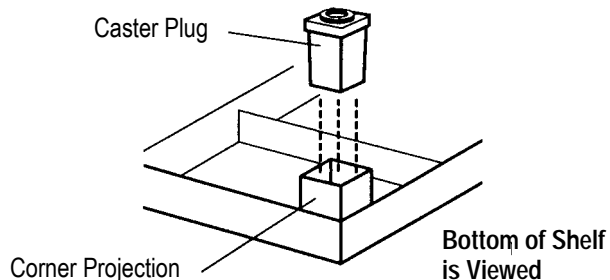
STEP 5

Insert socket into caster plug as shown.. Use hammer block and rubber mallet to drive socket all the way in.



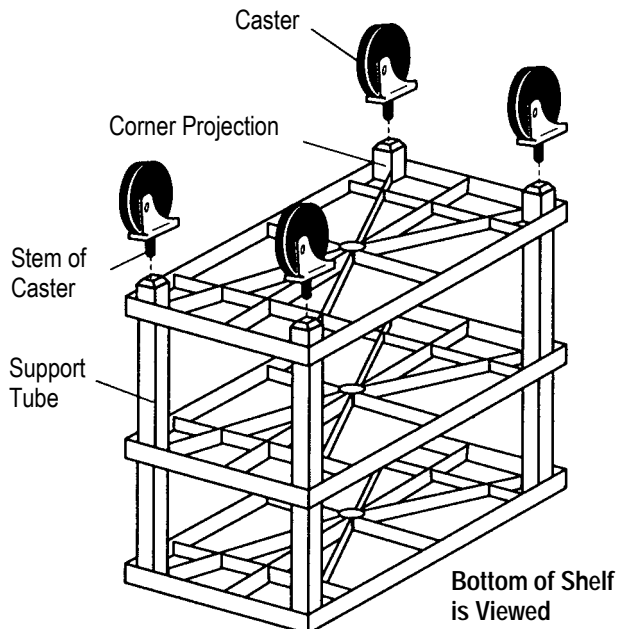
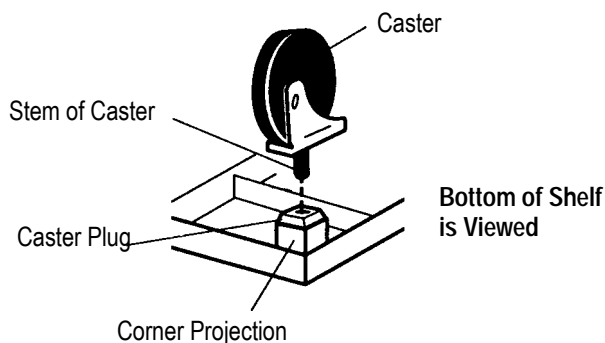
STEP 6

Flip cart over. Insert caster plug into each corner projection. Place hammer block over caster plug and with a rubber mallet, pound down gently, making sure that the caster plug bottoms out against corner projection, insuring that the part is in securely.



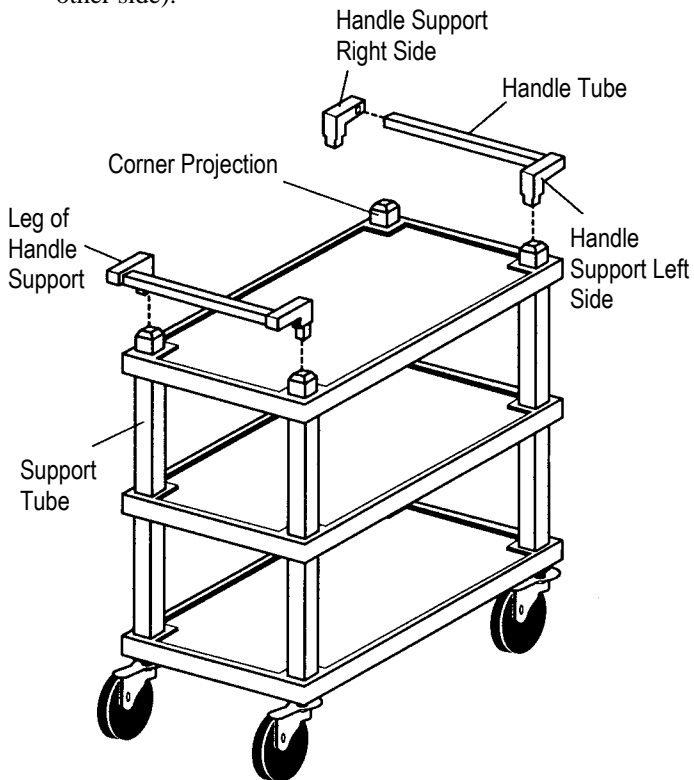
STEP 7

Insert the stem of the caster all the way into the caster plug. Do this on all four (4) corners.



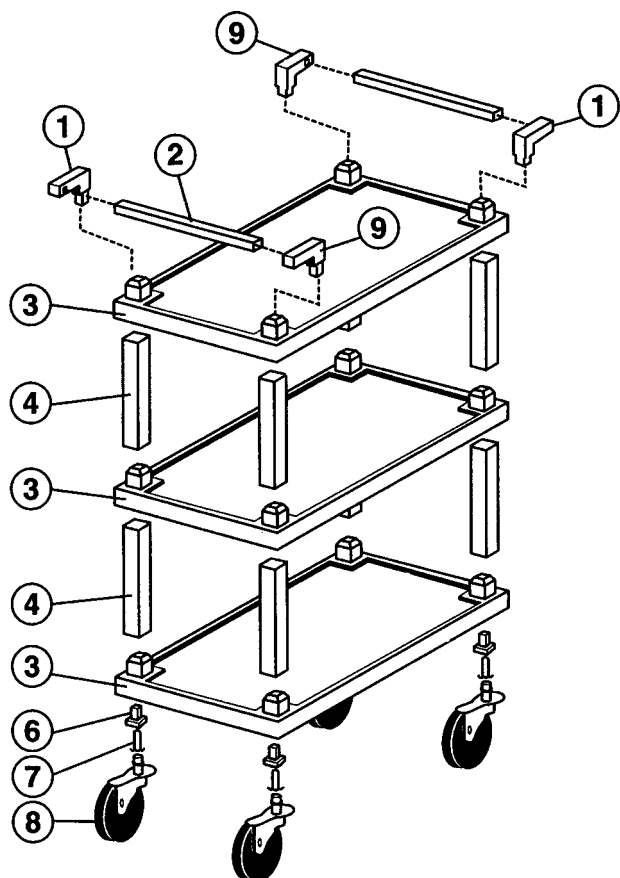
STEP 8

Flip cart over as shown. Insert a handle tube into one (1) handle support, right side and one (1) handle support, left side. Place assembly into the corner projections of the top shelf as shown. At the same time press down on both handle supports insuring that the part is in securely. (Repeat for other side).

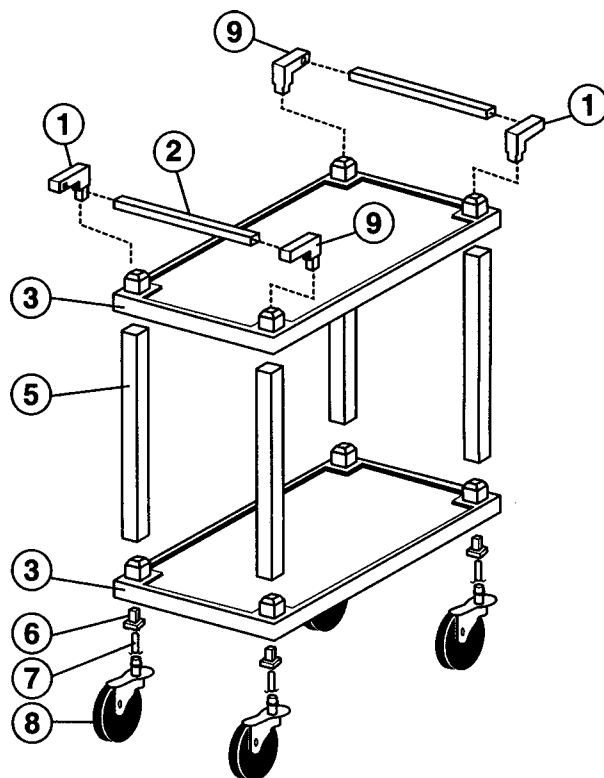


NOTE: The direction of the leg of the handle support is pointing away from the cart.

EXPLODED VIEW — 3 SHELF CART



EXPLODED VIEW — 2 SHELF CART



Replacement Parts List

Ref. No.	Part. No.	Description
1	21961	Handle Support, Left Side
2	21816	Handle Tube
3	21561	Plastic Shelf 18" x 31"
4	21817	Support Tube 12" (model 97102 only)
5	21860	Support Tube 24½" (model 97101 only)
6	21962	Caster Plug (plastic)
7	21815	Socket (metal)
8	21800	Caster 4" Diameter
9	21960	Handle Support, Right Side
--Not Shown--		
10	21963	Hammer Block

<p>The Vollrath Company, L.L.C. 1236 North 18th Street Sheboygan, WI 53082-0611 U.S.A. Main Tel: 800.624.2051 Service Tel: 800.628.0832 Fax: 800.752.5620</p>	<p>Vollrath of Canada, Ltd. 6320 Danville Road, Unit 1 Mississauga, Ontario L5T 2L7 Canada Tel: 905.565.1167 Tel: 800.695.8560 FAX: 905.565.1168</p>
---	---