



Electric Bar Glass Washer

Models: 274BAR5EL

06/2017

Please read and keep these instructions. Indoor use only.



User Manual

Index

Important Safety Information	3
Identification of Key Parts	4
Before Using Your Glass Washer	5
Using Your Glass Washer	5
Typical Operation Sequence.....	5
Working Time	6
Protection Component	6
Cleaning and Maintaining Your Glass Washer	6
Specifications	7
Limited Warranty	7
Troubleshooting.....	7
Parts List.....	8

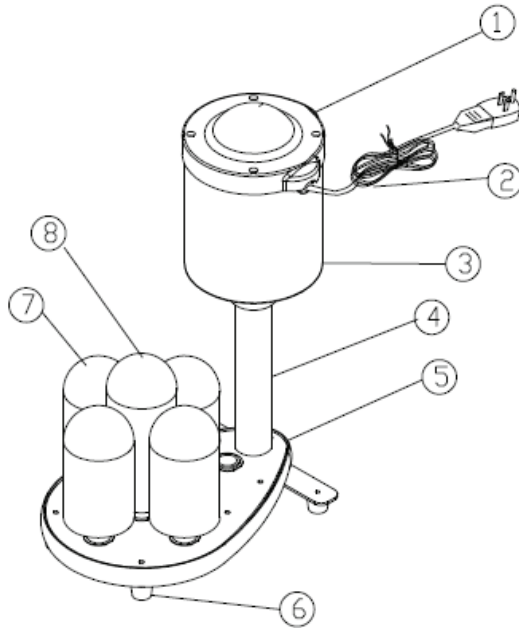
Important Safety Information

When using electrical appliances, basic safety precautions should always be followed, including the following:

1. Read all instructions carefully and completely.
2. For commercial use only.
3. Do not touch hot surfaces.
4. The motor is water resistant but NOT SUBMERSIBLE. Do not put this product in sinks or tanks where there is a risk of falling over or submersing the motor.
5. Unplug this unit when not in use and before cleaning.
6. Allow the unit to cool before putting on or taking off parts.
7. Do not operate this or any appliance with a damaged electrical cord or plug.
8. Do not operate this or any appliance after it has malfunctioned or been damaged in any way.
9. Do not use outdoors.
10. Do not place on or near a hot gas or electric burner.
11. Disconnect the unit by turning the power switch to “OFF”, then removing the electrical plug from the wall outlet.
12. Do not use appliance for any application other than intended use.
13. Do not cover or wrap the motor of this unit when in operation.
14. Do not allow this glass washer to touch or be covered by flammable material, such as curtains, draperies, walls, etc., when in operation.
15. Do not clean with metal scouring pads as pieces can break off and touch electrical components, heightening the risk of electrical shock.
16. Do not cover exterior of this unit with metal foil as it may cause the glass washer to overheat.
17. Avoid scratching the surface or nicking the edges of this unit. Do not put the slim or sharp articles beyond the unit.
18. Turn the appliance off by turning the power switch button to the “OFF” position.
19. Note that the use of accessories not recommended by the manufacturer may result in injury.
20. Children should be supervised to ensure that they do not play with the glass washer.
21. This appliance is not intended for use by persons (including children) with reduced physical sensory or mental capabilities, or lack of experience and knowledge, unless they have been given supervision or instruction concerning use of the appliance by a person responsible for their safety.
22. When using the appliance in shops, snack bars, hotels etc., check the voltage and outlet to make sure the appliance is correctly connected with power.
23. Install unit on a sink with flat surface that is well ventilated.

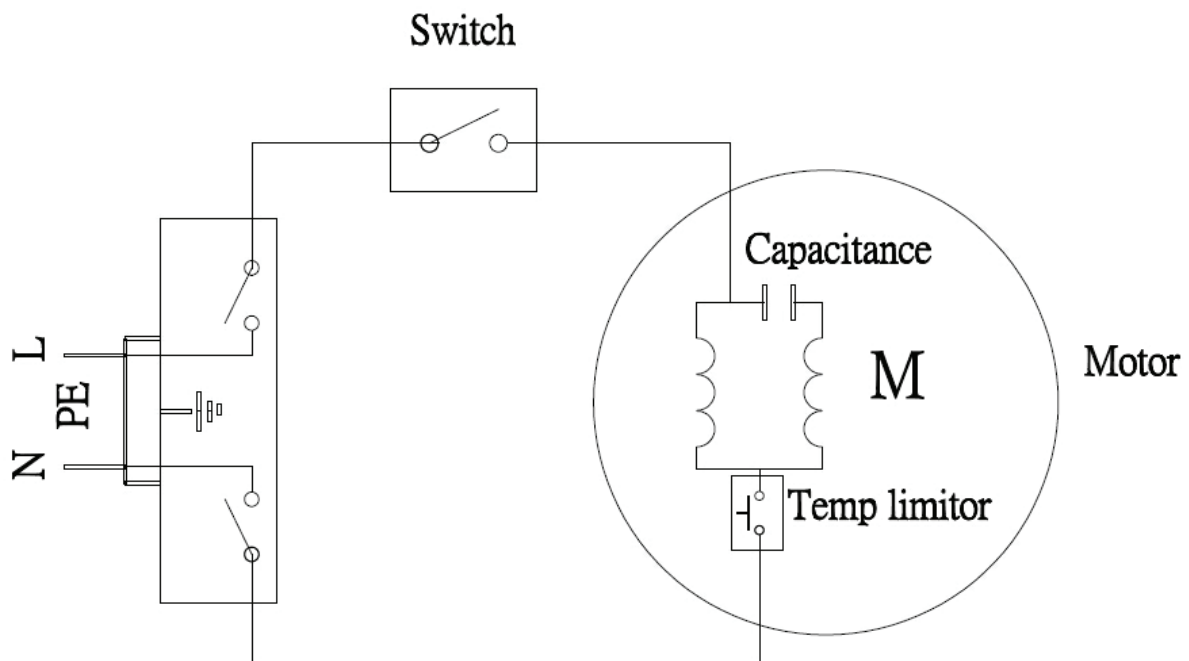
NOTE: Save these instructions for future reference.

Identification Of Parts



1. Power Switch
2. Power Cord
3. Motor
4. Exterior Tube
5. Supporting Board
6. Foot
7. Small Brush
8. Big Brush

Circuit Diagram



Before Using Your Glass Washer

Before using your glass washer, please follow these simple instructions. Failing to do so may cause injury to the user and damage the machine.

Install the machine on a flat surface of a sink and make sure the machine is upright and stable.

Assemble the brushes and check that they are securely in place.

Pour water into the sink and observe that the water level does not exceed the water line mark on the exterior tube.

Add some detergent for washing.

Plug the power cord in correctly.

Warning: Do not overfill the sinks/tanks or fully submerge the glass washer motor.

Warning: Plug the unit into grounded outlets only that match the unit's voltage and frequency listed on the motor. Outlet must be UL/CSA and G.F.C.I.

Warning: Check the electric cord and plug to make sure it is clean and dry before using.

Keep the power cord away from the brushes and water. Never use the machine if the power cord is cracked or damaged.

Warning: The SWITCH must NOT contact the water, keep it dry.

Caution: Check and make sure the brushes are securely in place before turning on the machine.

Caution: Do NOT use the machine for any other purpose than its intended design.

Using Your Glass Washer

To start the glass washer, plug in the power cord and switch on the machine. When the brushes starts to spin, put the glass on top of the brush to wash. It is recommended to wash one glass at a time for the best results.

Warning: Do not operate the machine out of water.

Warning: Keep the machine upright. Do not use it if it is lying down.

Warning: Motor may get hot during and after operation; turn it off when it's not in use.

Typical Operation Sequence

Action	Result
Plug in your glass washer	Power is connected, but unit will only start after the machine is switched on
Switch On	Unit starts to work, brushes start to spin
Place glass over the brush	The glass is cleaned
Switch Off	Unit stops working
Unplug the unit	No power is connected

Protection Component

This glass washer includes a capacitor motor. To protect the electronic components inside, the machine will shut off automatically if it begins to overheat.

Cleaning & Maintaining Your Glass Washer

To clean, first remove the power cord's plug from the wall outlet. Wait for the glass washer to cool down. Use a damp cloth or sponge to gently wipe down the unit. Avoid soaking the whole unit into water or washing it in running water as this will cause serious damage to the unit.

When closing for the day, drain sink and wipe off machine, let the machine dry overnight.

After use for a month, remove the base cover that protects the gears inside. Immerse the machine in water, add 1/2 cup of vinegar. Operate the machine for 10 minutes, rinse thoroughly and replace the base cover.

Specifications

Model #	Volt / Frequency	Dimension	Unit Weight	Power	Plug
	120V 60HZ 1/3 HP	8"W x 12"D x 18"H	23lbs. (26 lbs. shipping)	1/3 HP	NEMA 5-15

Troubleshooting

Problem: The glass washer does not work after being switched on.

- Make sure glass washer is plugged in correctly.
- Be sure it is switched on.
- Check with service center.

Problem: There is a very loud noise when the glass washer is in use.

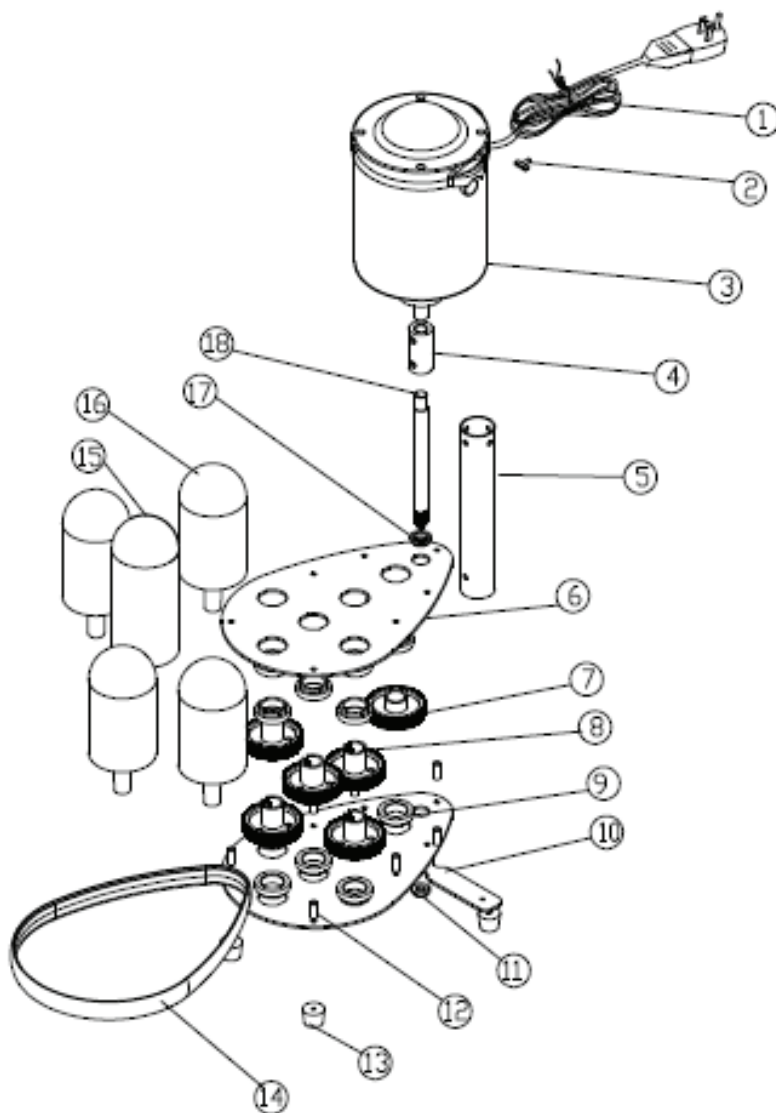
- Do not attempt to dismantle the glass washer.
- Contact your service agent right away to examine the motor and inside gears.

Problem: The brush spin cycle is slow and the glasses are not cleaned properly.

- Check to see if something is jammed inside the brushes.

Part List

NO	PART NAME	SPEC.
1	POWER CORD	5-15 SJOW 16AWG
2	POWER SWITCH	125V 15A
3	CAPACITOR MOTOR	120V 240W
4	CONNECTION POLE	Aluminum
5	EXTERIOR TUBE	Stainless Steel
6	SUPPORTING BOARD	Stainless Steel
7	DRIVING WHEEL	Plastic
8	GEAR	Plastic
9	GEAR HUB	Copper
10	BASE BOARD	Stainless Steel
11	FOOT	Rubber
12	SEPTA PILLAR	Stainless Steel
13	LOWERING BEARING SHAFT	Rubber
14	BASE COVER	Silicone
15	BIG BRUSH	Plastic
16	SMALL BRUSH	Plastic
17	UPPER BEARING SHAFT	Rubber
18	DRIVING SHAFT	Stainless Steel



Limited Warranty

All equipment, which is sold under Noble Products trademark and used for commercial purpose is warranted against defects in materials and workmanship. The warranty runs for six months from the time of purchase and is for the benefit of the original purchaser only. All other Warranties, Expressed or Implied, Statutory or Otherwise, including Without Limitation any implied Warranty of Merchantability or Fitness for Purposes are excluded. The Seller shall in no event be liable for direct, indirect or consequential damages in connection with Noble Products commercial products.

This warranty is not effective if damage occurs because of accident, carelessness, improper installation, lack of proper set-up, lack of supervision when required, or if the equipment is installed or operated in any manner contrary to the installation and operating instructions. Work performed by unauthorized personnel or unauthorized service agencies voids this Warranty.

This warranty does not apply to, and Noble Products is not responsible for, any warranty claims made on products sold or used outside of the United States. This equipment is intended for commercial use only. Warranty is void if equipment is installed in anything other than commercial applications.